

00-3280-16-16

V0

ROCKET Pendant

Description

Pendant for indoor use.

For downlighting. Structure material: Aluminium. Structure finish: Off-white. Warranty: 2 Years.

Finish
Off-white

Material
Aluminium

IP20  25°  4

TECHNICAL CHARACTERISTICS

Light source

Light source: LED CREE
Output (W): 13.2W
Color temperature: Warm White - 3000K
CRI: 80
Qty Leds: 6
Bin / Grup: 7C1 o 7B4
Photobiological risk: RG2

GEAR

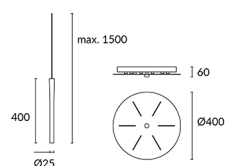
Brand: SELF
Gear included: Yes, electronic
Voltage / Frequency:
100-240VAC/50-60Hz

Luminaire

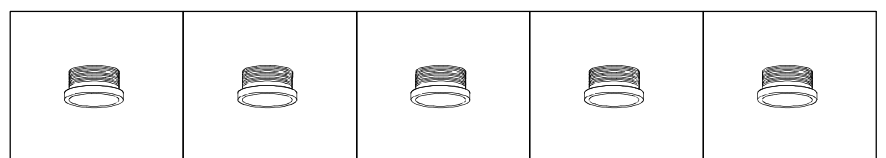
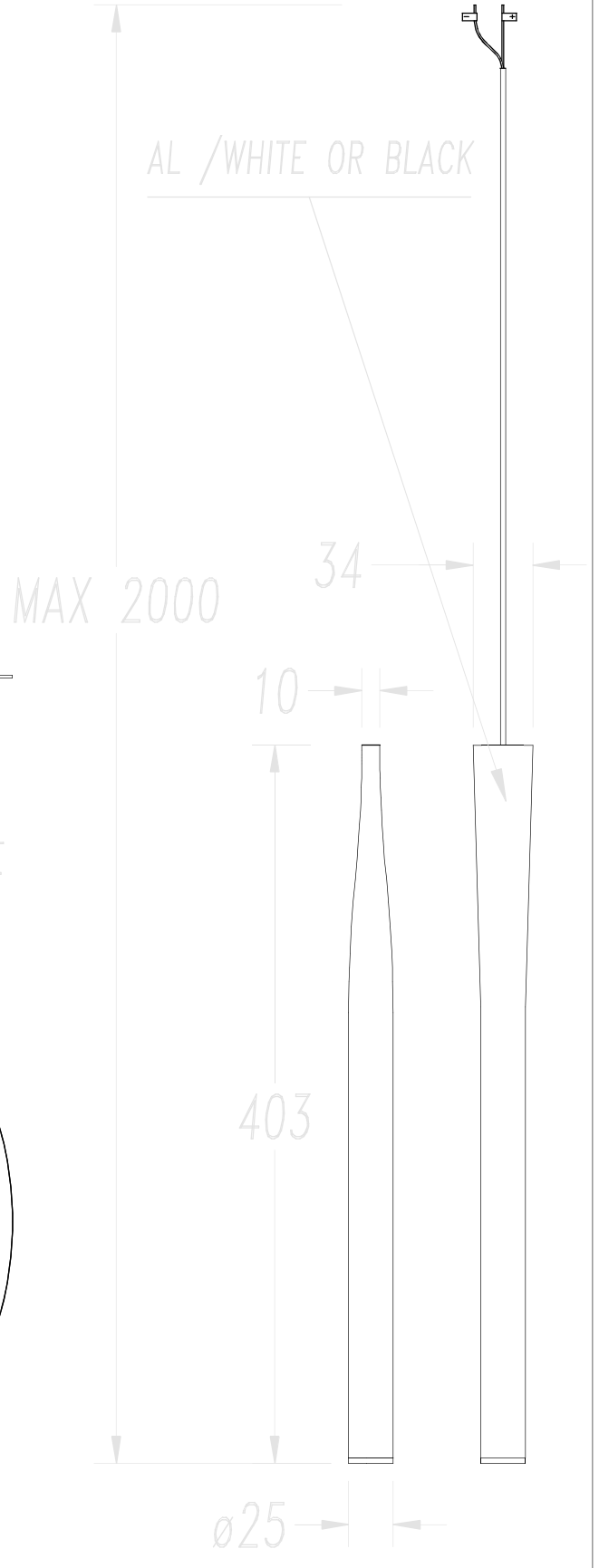
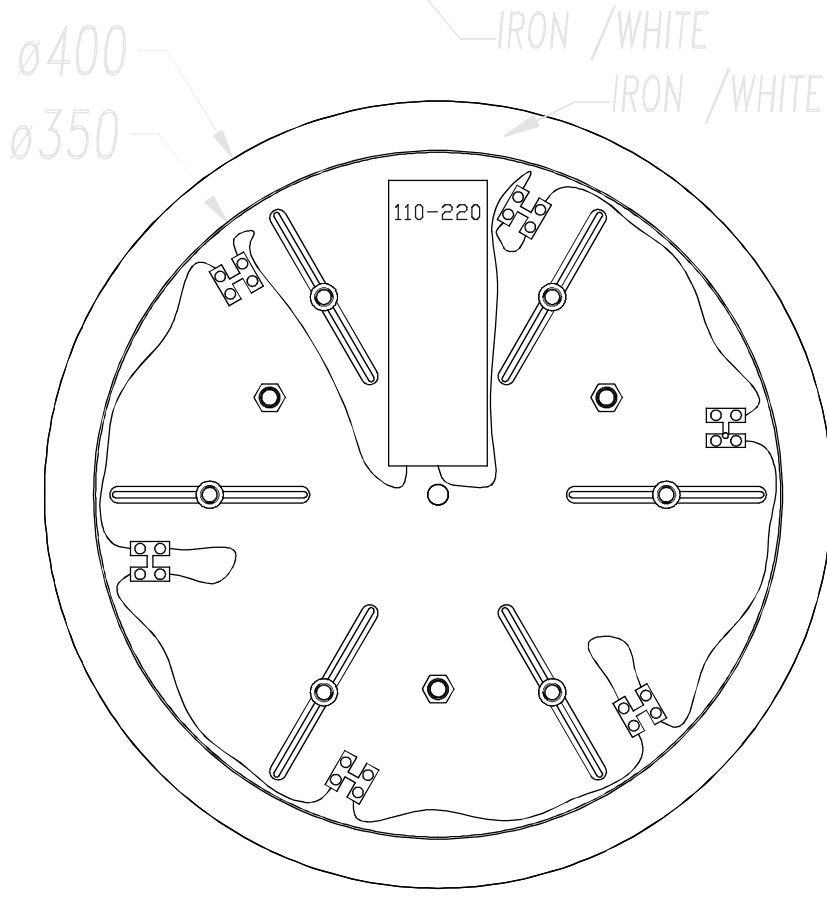
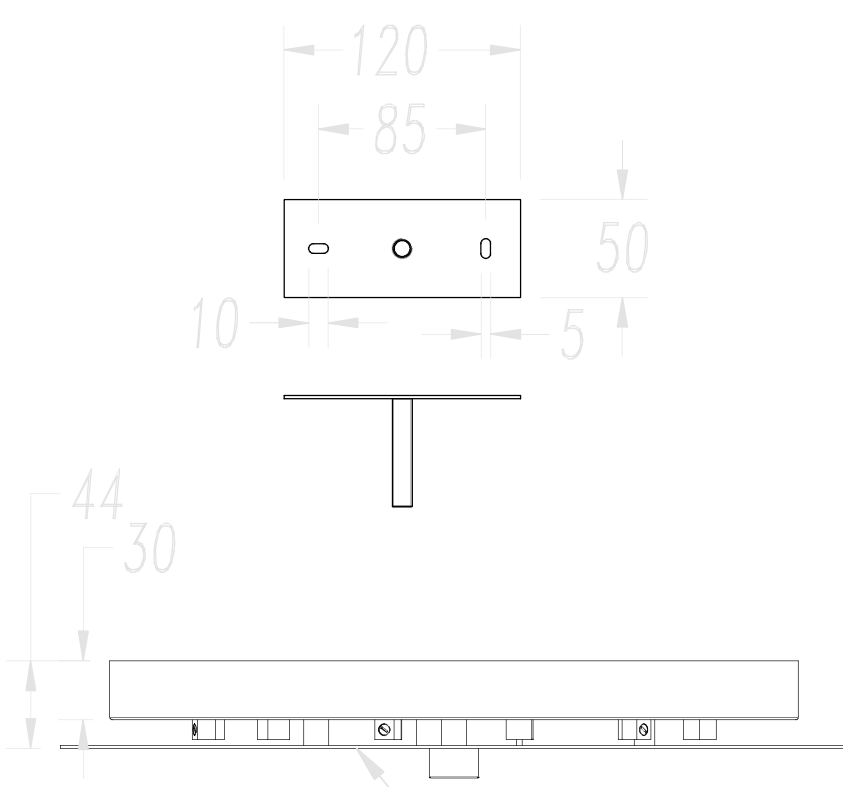
Warranty: 2 Years

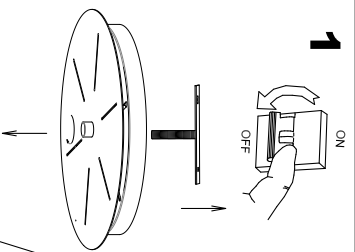
Logistics

Energy Efficiency: LED A++
EAN Code: 8435381423988
Net Weight (Kg): 3.910
Weight in Kg (packaged): 6.288
Packing: 60 x 65 x 470
Masterbox: 4

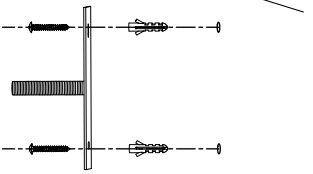


The photograph may not match the reference exactly. Please read the product description to identify the finish.

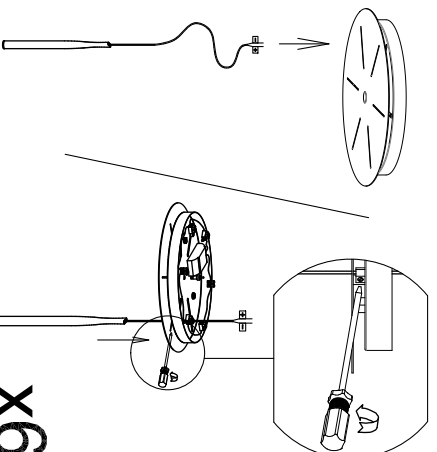




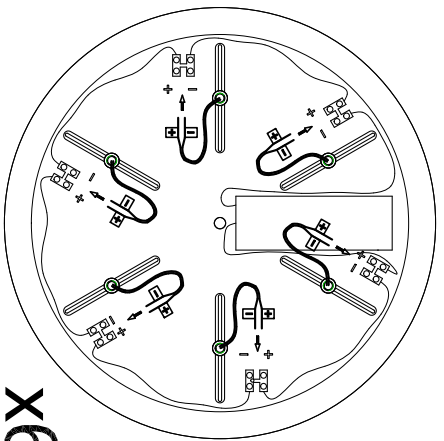
1



2

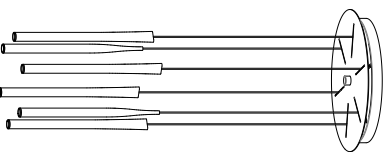


X6



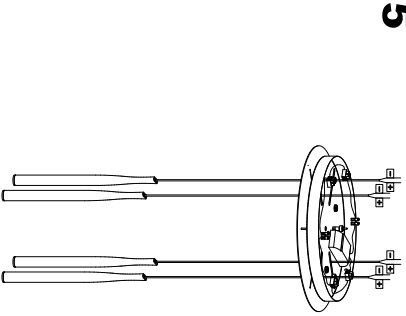
3

X6



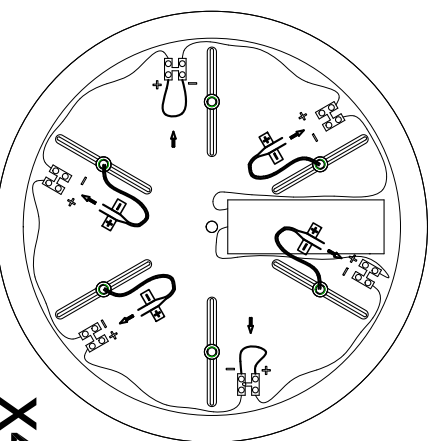
4

X6



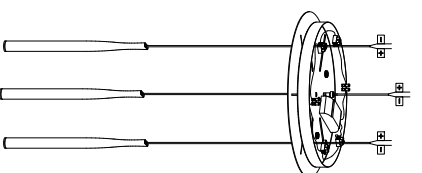
5

X4



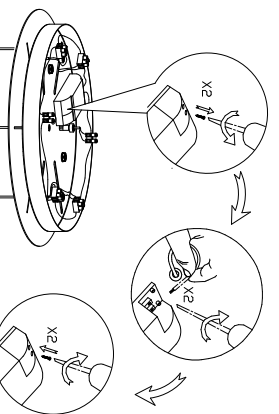
6

X4



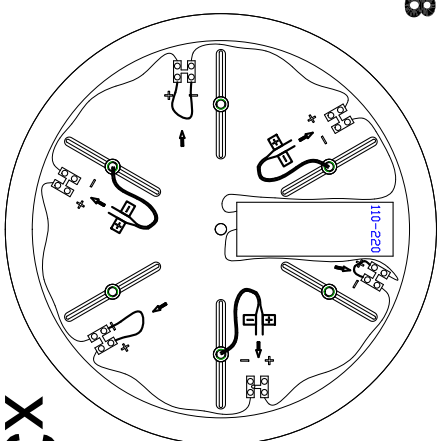
7

X3



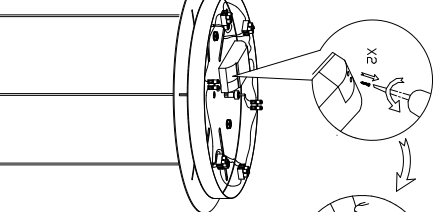
9

X3

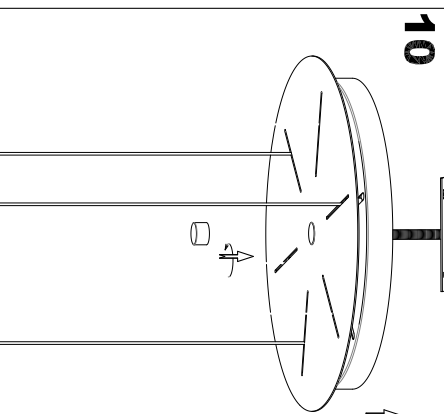


8

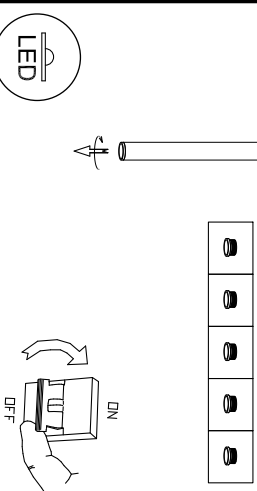
X3



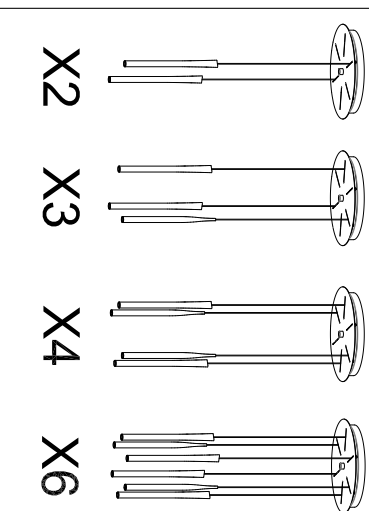
10



11



12



X2

X3

X4

X6