

00-5580-14-23

V0

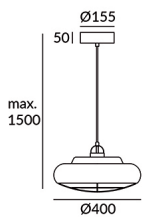
SUGAR Pendant

Designer: Nahtrang Design

**Description**

Pendant for indoor use.

For downlighting. Design by Nahtrang. Vintage/industrial design. Highly customisable: accessories, finishes... Optimum visual comfort. Available options for regulating light. High lumen power. Embedded/surface mounted double installation. Easy instalation. High durability for intensive use. Structure material: Aluminium. Structure finish: Matt white. Diffuser material: Acrylic. Diffuser finish: Matt opal. Warranty: 5 Years.

**Finish**

Matt white
Matt opal

Material

Aluminium
Acrylic



IP20



2

TECHNICAL CHARACTERISTICS**Light source**

Light source: LED CREE
Output (W): 26.6W
Total power consumption (W): 28,5W
Color temperature: Warm White - 2700K
CRI: 80
Photobiological risk: RG1
Real Lumen: 1575
Qty Leds: 1
Lm/Real W: 55
Life Time: 50.000h L70B30
Bin / Grup: 27H
MacAdam steps: 2
UGR: 17.9

GEAR

Brand: EAGLERISE
Gear included: Yes, electronic
Power Factor: 0.94
Dimming protocol: Phase cut

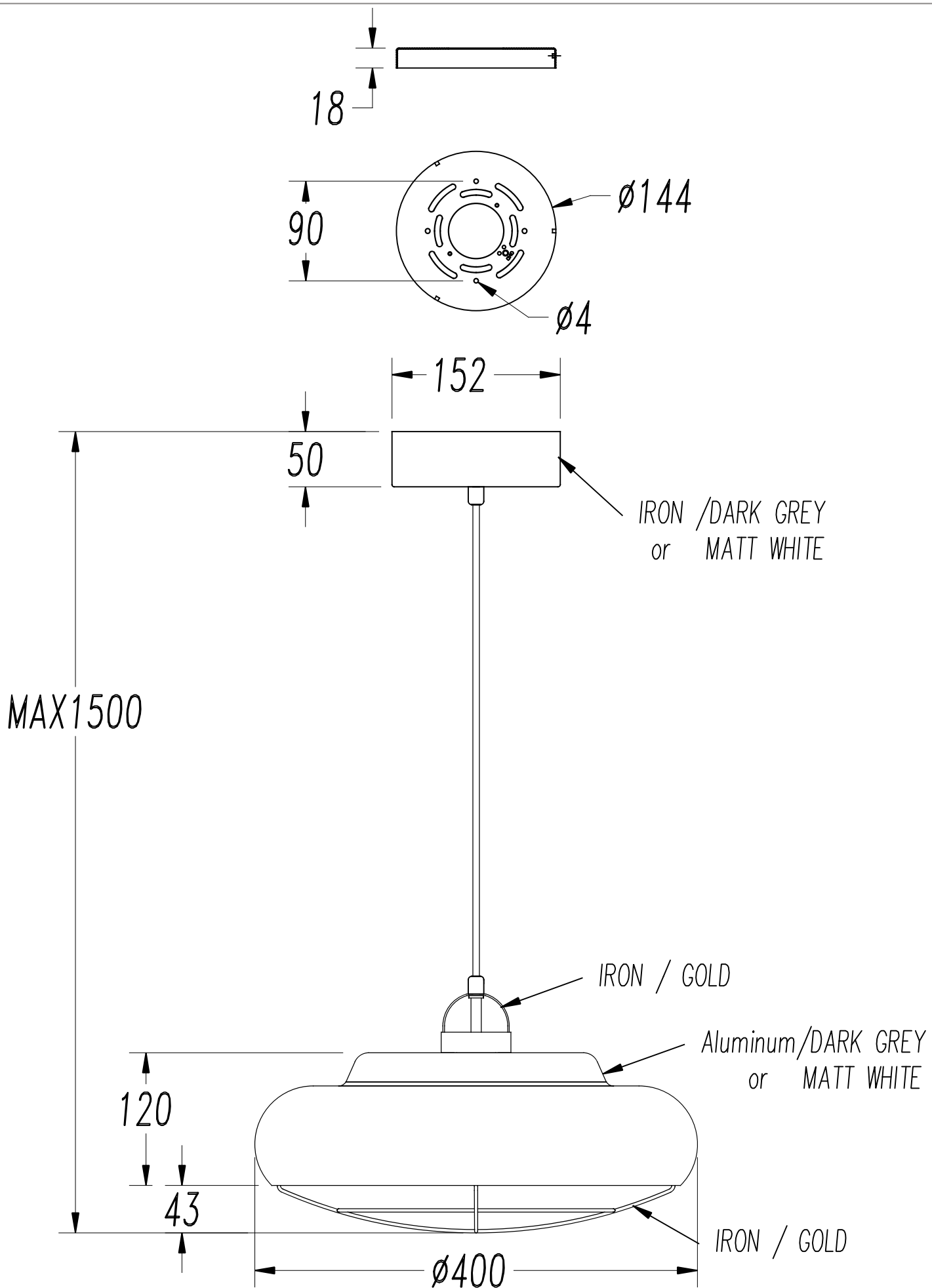
Luminaire

Warranty: 5 Years

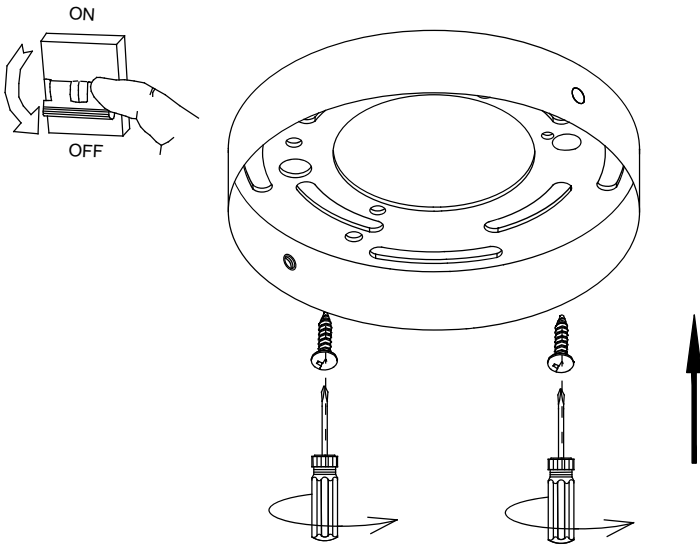
Logistics

Energy Efficiency: LED A++
EAN Code: 8435381454418
Net Weight (Kg): 2.540
Weight in Kg (packaged): 4.275
Packing: 455 x 450 x 295
Masterbox: 2

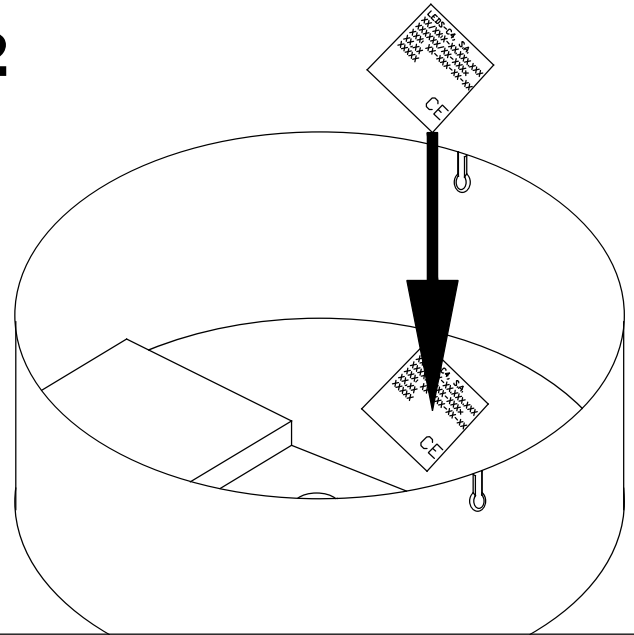
The photograph may not match the reference exactly. Please read the product description to identify the finish.



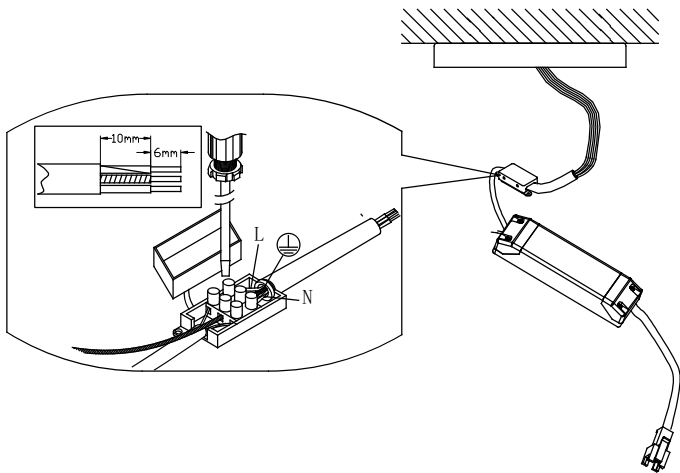
1



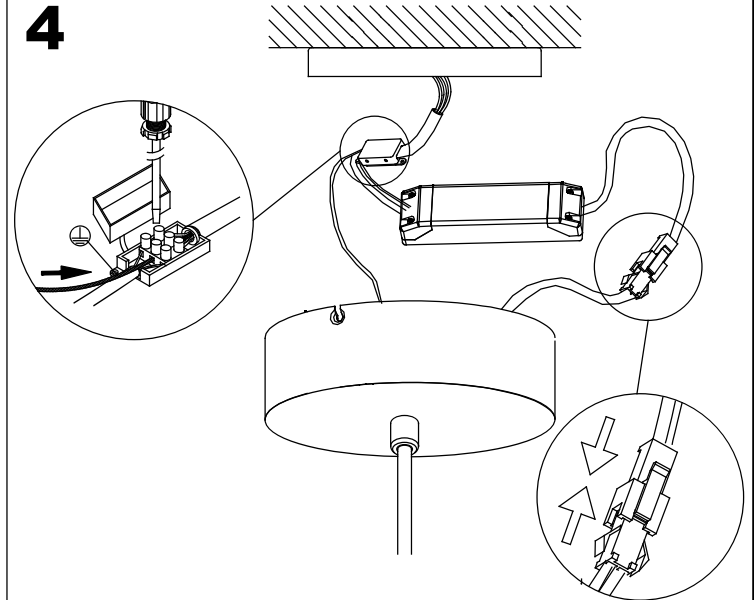
2



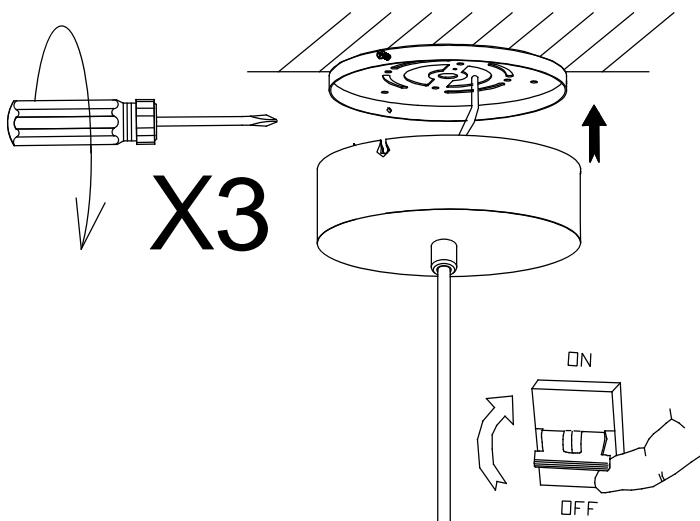
3



4



5



6

