

00-5998-14-23

V0

## SUGAR Pendant

Designer: Nahtrang Design

**Description**

Pendant for indoor use.

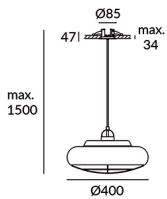
For downlighting. Design by Nahtrang. Vintage/industrial design. Highly customisable: accessories, finishes... Optimum visual comfort. Available options for regulating light. High lumen power. Embedded/surface mounted double installation. Easy instalation. High durability for intensive use. Structure material: Aluminium. Structure finish: Matt white. Diffuser material: Acrylic. Diffuser finish: Matt opal. Warranty: 5 Years.

**Finish**

Matt white  
Matt opal

**Material**

Aluminium  
Acrylic

**TECHNICAL CHARACTERISTICS****Light source**

Light source: LED CREE  
Output (W): 26.6W  
Total power consumption (W): 28,5W  
Color temperature: Warm White - 2700K  
CRI: 80  
Photobiological risk: RG1  
Real Lumen: 1575  
Qty Leds: 1  
Lm/Real W: 55  
Life Time: 50.000h L70B30  
Bin / Grup: 27H  
MacAdam steps: 2  
UGR: 17.9

**GEAR**

Brand: EAGLERISE  
Gear included: Yes, electronic  
Power Factor: 0.94  
Dimming protocol: Phase cut

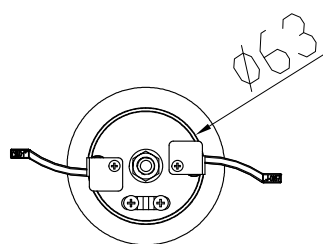
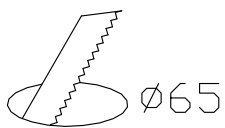
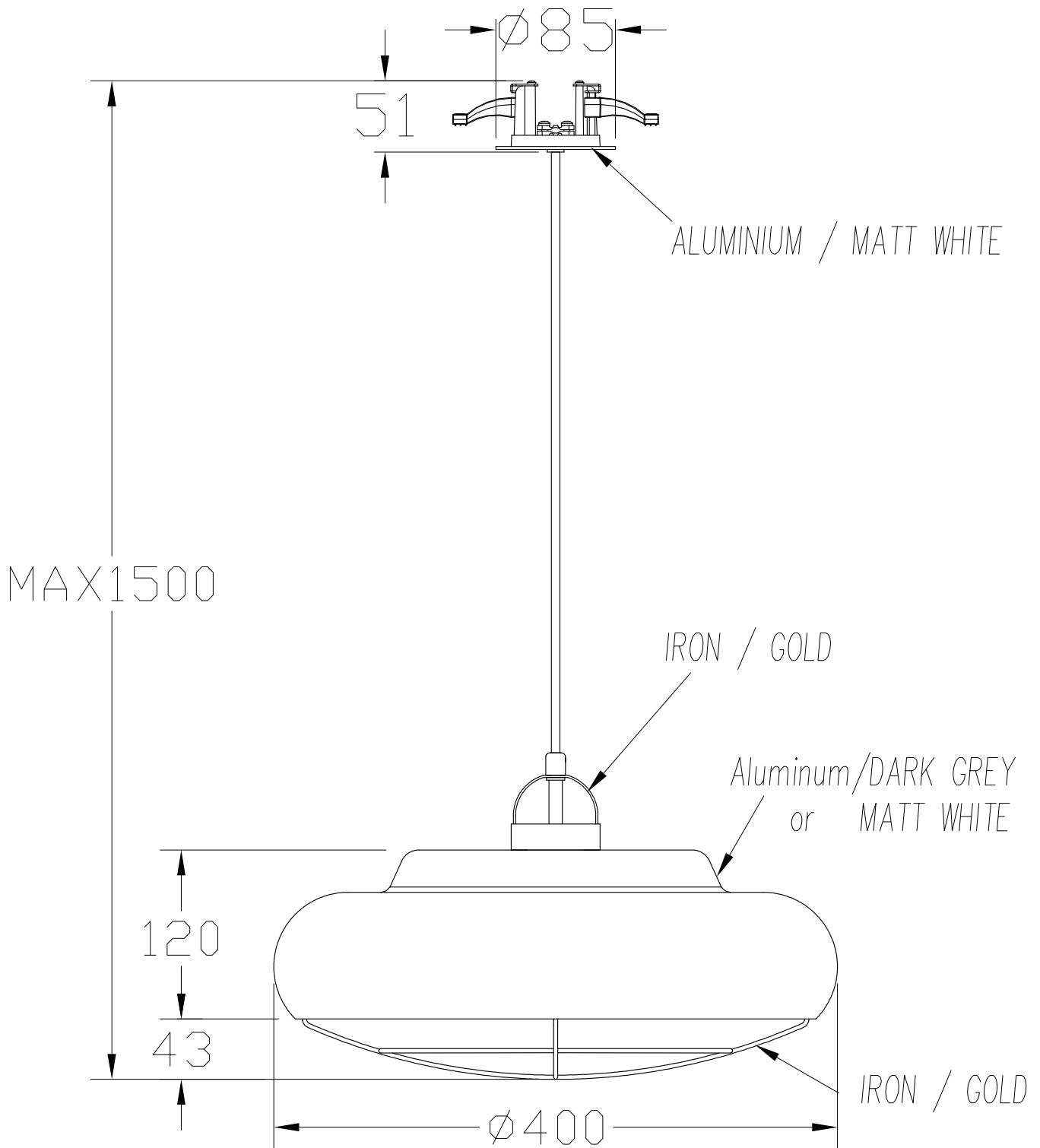
**Luminaire**

Warranty: 5 Years

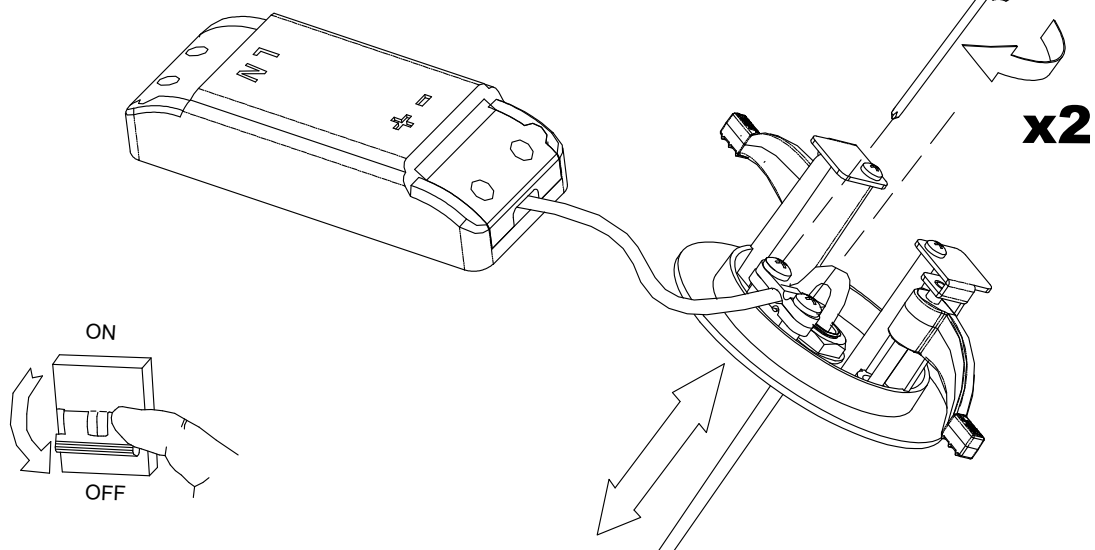
**Logistics**

Energy Efficiency: LED A++  
EAN Code: 8435381463809  
Net Weight (Kg): 2.677  
Weight in Kg (packaged): 4.412  
Packing: 455 x 450 x 295  
Masterbox: 2

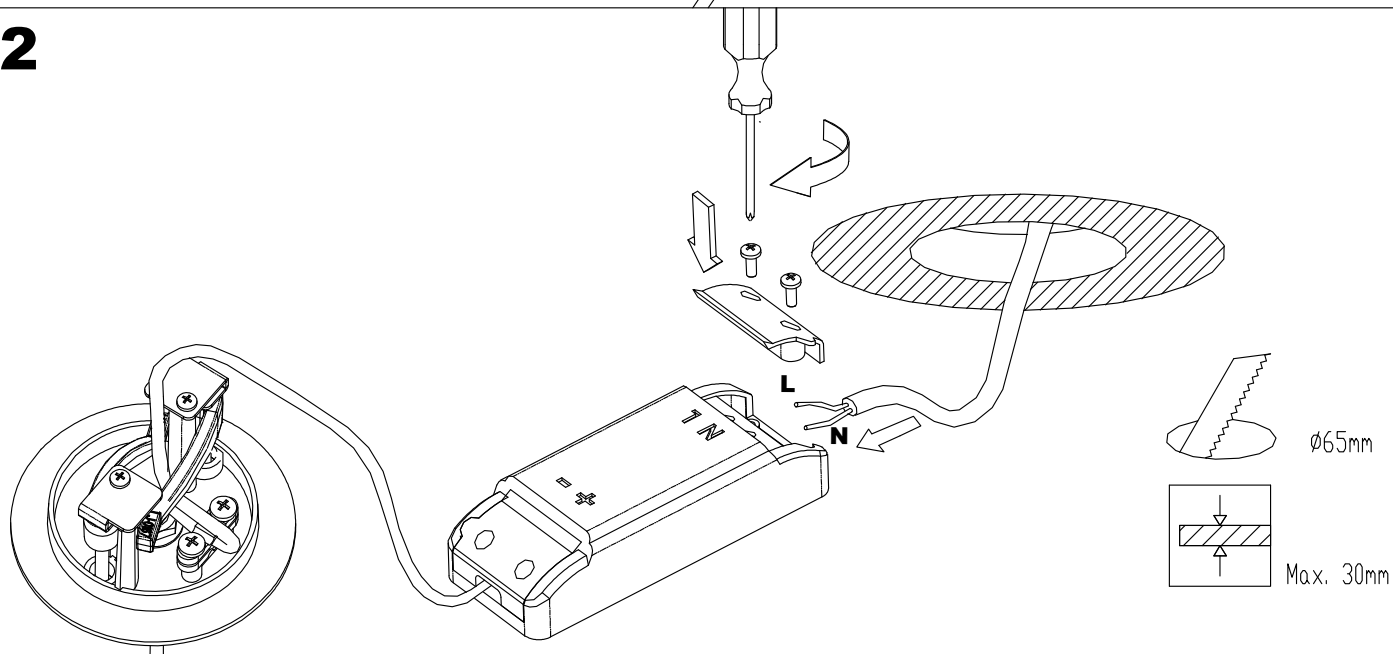
The photograph may not match the reference exactly. Please read the product description to identify the finish.



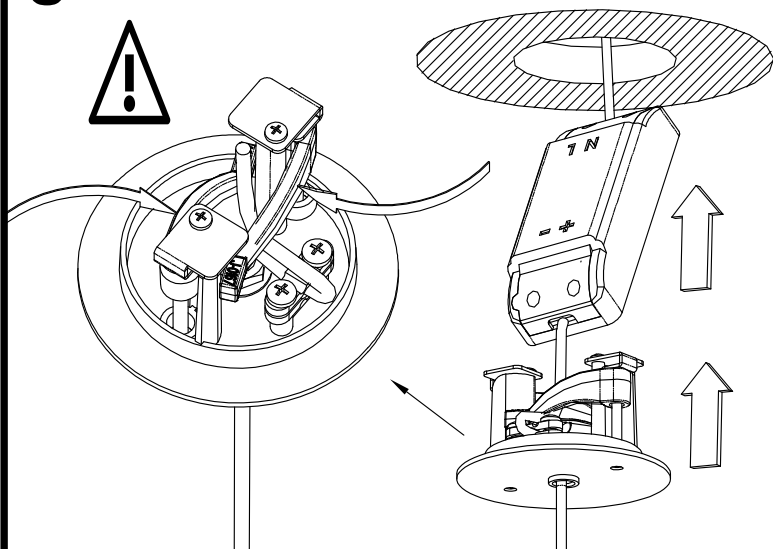
**1**



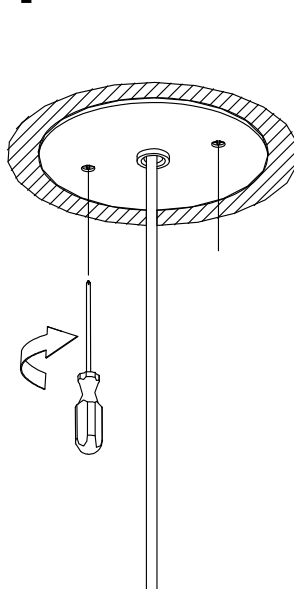
**2**



**3**



**4**



**5**

