

05-9544-Z5-CL

V0

BASIC Technopolymer Wall fixture

Designer: Josep Patsí

**Description**

Wall light for outdoor use.

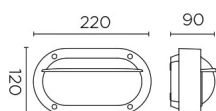
For frontal lighting and downlighting. Suitable for installation in marine environments. Structure material: Polypropylene. Structure finish: Urban grey. Diffuser material: Polycarbonate. Diffuser finish: Semitransparent. UV protection. Warranty: 5 Years.

Finish

Urban grey
Semitransparent

Material

Polypropylene
Polycarbonate

**TECHNICAL CHARACTERISTICS****Light source**

Light source: LED SUNPU
Output (W): 7.5W
Color temperature: Warm White - 3000K
CRI: 80
Photobiological risk: RG0
Real Lumen: 371
Qty Leds: 49
Lm/Real W: 53
Life Time: 50.000h L70B30
Bin / Grup: Wi9 o Wi10
MacAdam steps: 3
UGR: 13.6

GEAR

Brand: EAGLERISE
Gear included: Yes, electronic
Voltage / Frequency: 100-240 VAC
Power Factor: 0.80

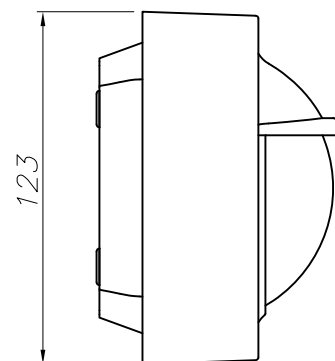
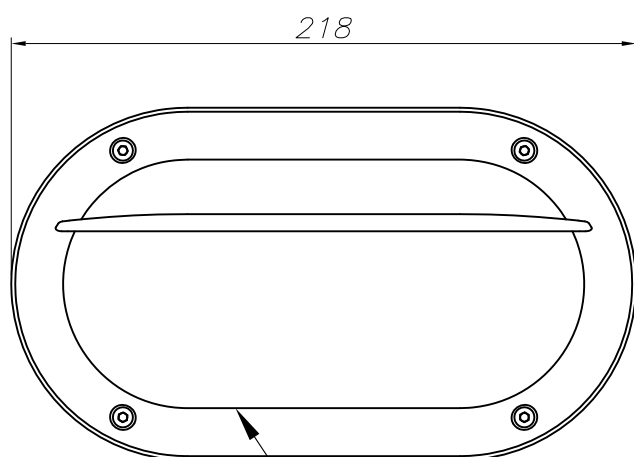
Luminaire

Double cable exit: No
Drainage: No
Seaside: Yes
Uv Protection: Yes
Warranty: 5 Years

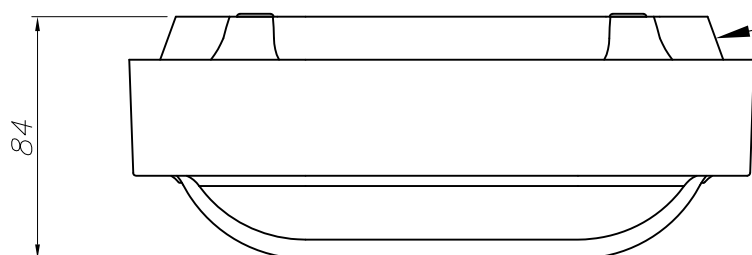
Logistics

Energy Efficiency: LED A++
EAN Code: 8435381462932
Net Weight (Kg): 0.475
Weight in Kg (packaged): 0.605
Packing: 230 x 135 x 95
Masterbox: 12

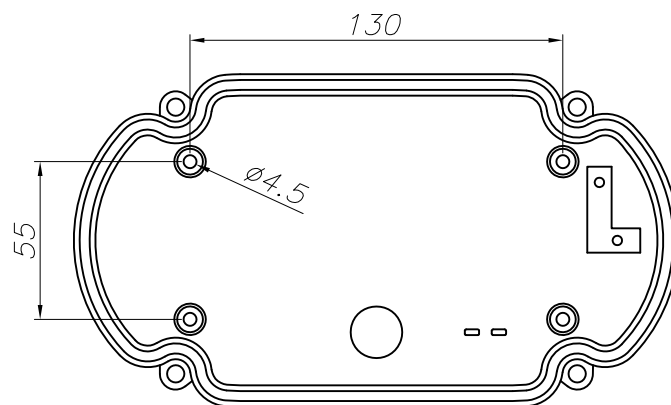
The photograph may not match the reference exactly. Please read the product description to identify the finish.



PC SEMITRASPARENTE MATE
SEMISTRANSPIRENT MATT PC



POLIPROPILENO
POLYPROPYLENE



PLANTILLA DE INSTALACIÓN
INSTALLATION TEMPLATE

