

CUBUS Wall fixture



Description

Wall light for outdoor use.

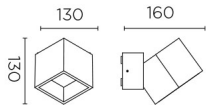
For downlighting. Adjustable light source. Structure material: High purity aluminium. Structure finish: Urban grey. Diffuser material: Glass. Diffuser finish: Matt. UV protection. Warranty: 5 Years.

Finish

Urban grey
Matt

Material

High purity aluminium
Glass



TECHNICAL CHARACTERISTICS

Light source

Light source: LED LEXTAR
Output (W): 11W
Color temperature: Warm White - 3000K
CRI: 80
Real Lumen: 701
Qty Leds: 10
Lm/Real W: 64
Life Time: 50.000h L70B30
Bin / Grup: L3003/R3003
MacAdam steps: 3
UGR: 22.7
Photobiological risk: RG0

GEAR

Brand: EAGLERISE
Gear included: Yes, electronic
Voltage / Frequency:
100-240VAC/50-60Hz
Power Factor: 0.90

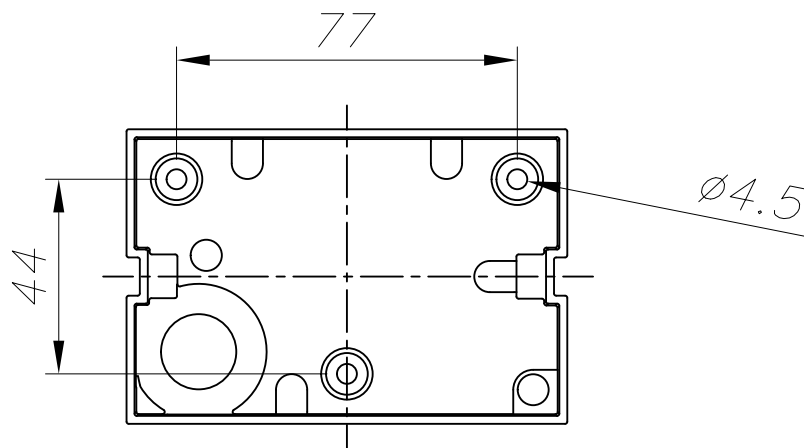
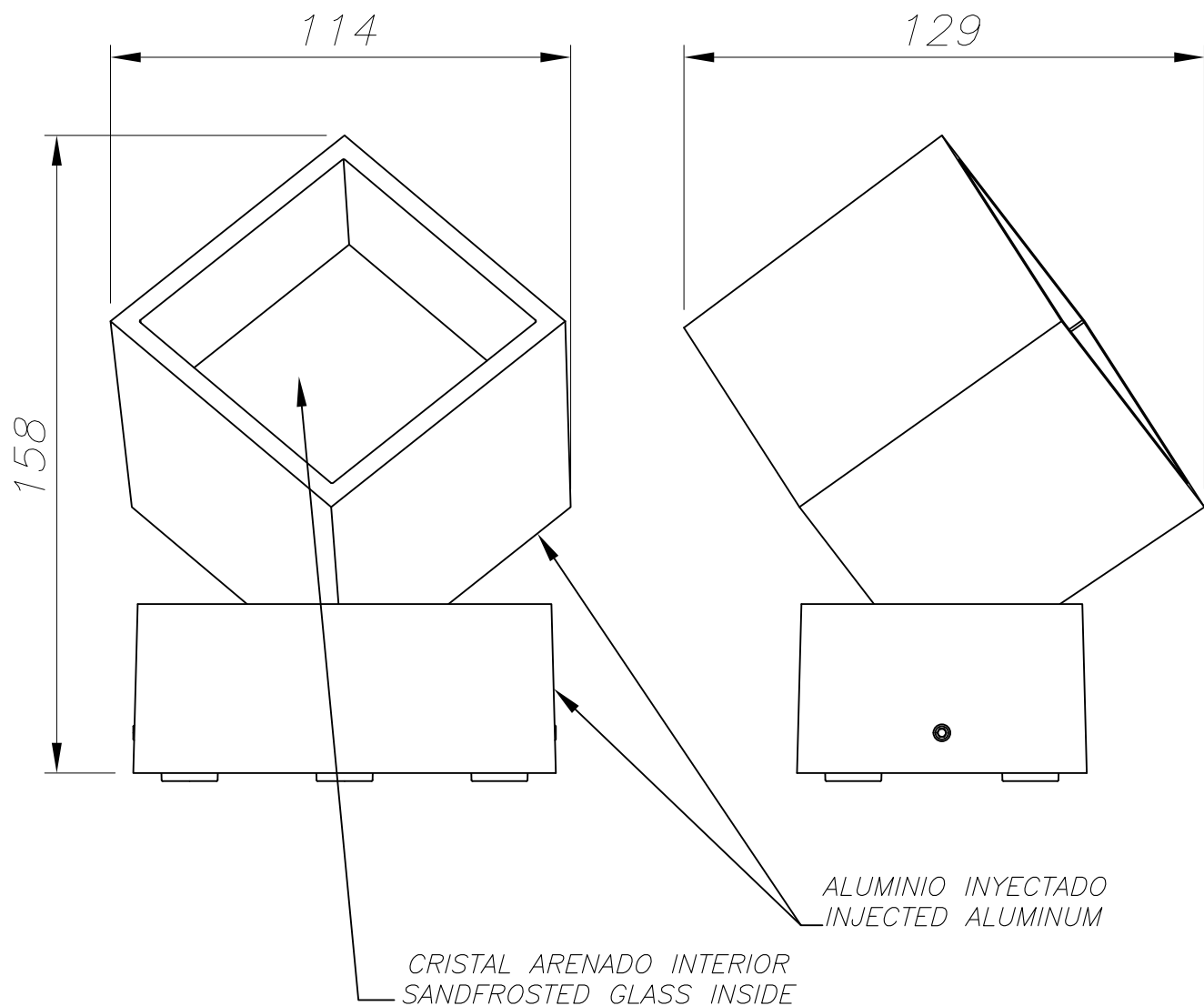
Luminaire

Double cable exit: No
Drainage: No
Uv Protection: Yes
Warranty: 5 Years

Logistics

Energy Efficiency: LED A++
EAN Code: 8435381458263
Net Weight (Kg): 1.020
Weight in Kg (packaged): 1.136
Packing: 145 x 130 x 180
Masterbox: 4

The photograph may not match the reference exactly. Please read the product description to identify the finish.



PLANTILLA DE INSTALACIÓN
INSTALLATION TEMPLATE

