

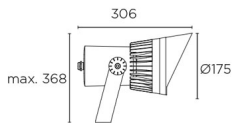
HUBBLE Cob Led Aluminium Spotlight

Designer: Francesc Vilaró

**Description**

LED Spotlight for outdoor use.

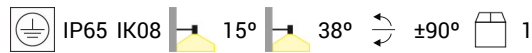
For downlighting.. Includes 2 reflectors. Includes a goniometer to precisely adjust the angle of the luminaire. Includes drainage holes on the front of the head to avoid water accumulation and maximise the light's useful life. Structure with double body design to prevent heat generated by the LED affecting the useful life of the driver. Includes visor. Adjustable light source. Structure material: Aluminium. Structure finish: Urban grey. Diffuser material: Glass. Diffuser finish: Transparent. Warranty: 5 Years.

**Finish**

Urban grey
Transparent

Material

Aluminium
Glass

**TECHNICAL CHARACTERISTICS****Light source**

Light source: LED CREE
Output (W): 33W
Total power consumption (W): 35.8
Color temperature: Warm White - 3000K
CRI: 80
Real Lumen: 3589
Qty Leds: 1
Lm/Real W: 100
Life Time: 50.000h L90B10
Bin / Grup: 30G
MacAdam steps: 2
UGR: 18.9
Photobiological risk: RG1

GEAR

Brand: EAGLERISE
Gear included: Yes, electronic
Voltage / Frequency:
100-240VAC/50-60Hz
Power Factor: 0.90

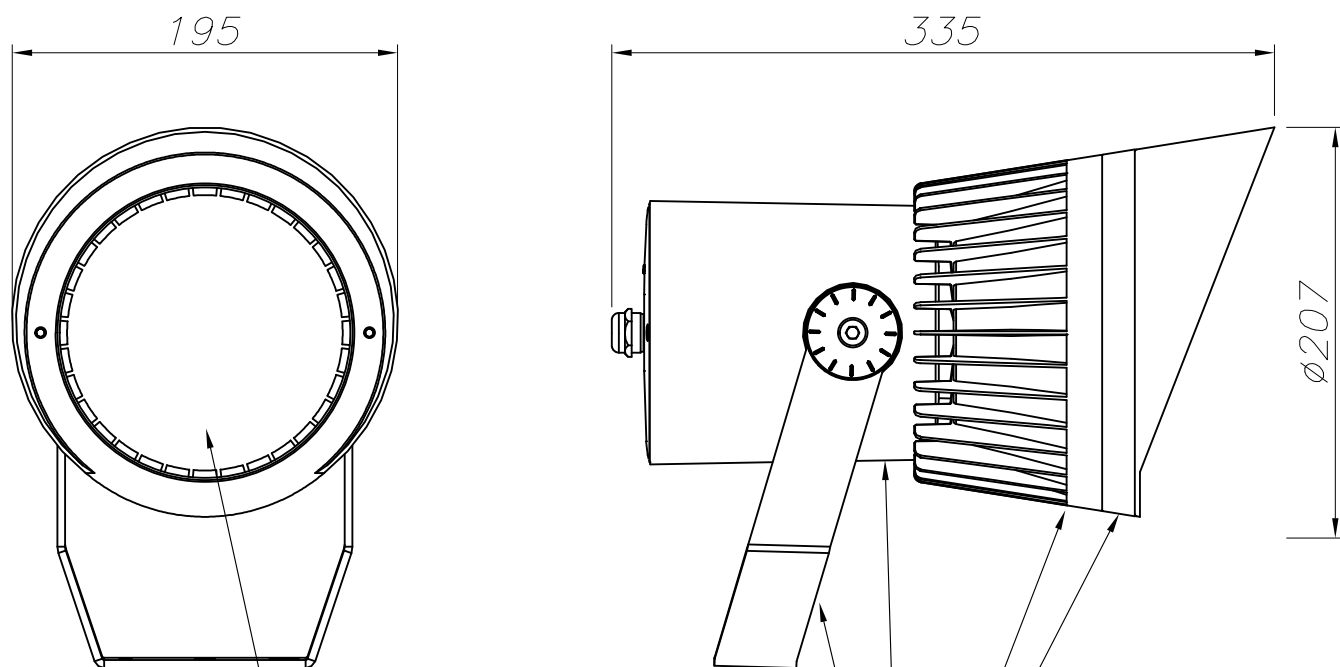
Luminaire

Warranty: 5 Years

Logistics

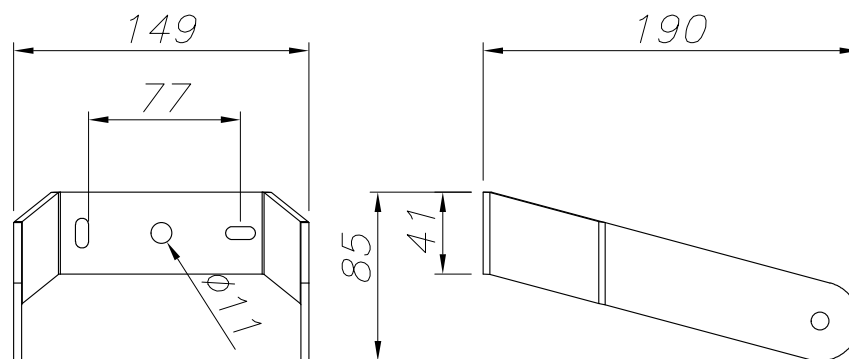
Energy Efficiency: LED A++
EAN Code: 8435381461744
Net Weight (Kg): 4.000
Weight in Kg (packaged): 2.345
Packing: 275 x 195 x 285
Masterbox: 1

The photograph may not match the reference exactly. Please read the product description to identify the finish.



TRANSPARENT GLASS
CRISTAL TRANSPARENTE

ALUMINIO DE ALTA PUREZA
HIGH QUALITY ALUMINUM



PLANTILLA DE INSTALACIÓN
INSTALLATION TEMPLATE

