

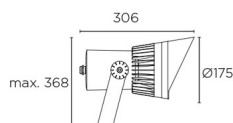
## HUBBLE Cob Led Aluminium Spotlight

Designer: Francesc Vilaró

**Description**

LED Spotlight for outdoor use.

For downlighting.. Includes 2 reflectors. Includes a goniometer to precisely adjust the angle of the luminaire. Includes drainage holes on the front of the head to avoid water accumulation and maximise the light's useful life. Structure with double body design to prevent heat generated by the LED affecting the useful life of the driver. Includes visor. Adjustable light source. Structure material: Aluminium. Structure finish: Urban grey. Diffuser material: Glass. Diffuser finish: Transparent. Warranty: 5 Years.

**Finish**

Urban grey  
Transparent

**Material**

Aluminium  
Glass

**TECHNICAL CHARACTERISTICS****Light source**

Light source: LED CREE  
Output (W): 33W  
Total power consumption (W): 35.8  
Color temperature: Neutral white - 4000K  
CRI: 80  
Real Lumen: 3804  
Qty Leds: 1  
Lm/Real W: 106  
Life Time: 50.000h L90B10  
Bin / Grup: 40F  
MacAdam steps: 2  
UGR: 19.1  
Photobiological risk: RG1

**GEAR**

Brand: EAGLERISE  
Gear included: Yes, electronic  
Voltage / Frequency:  
100-240VAC/50-60Hz  
Power Factor: 0.90

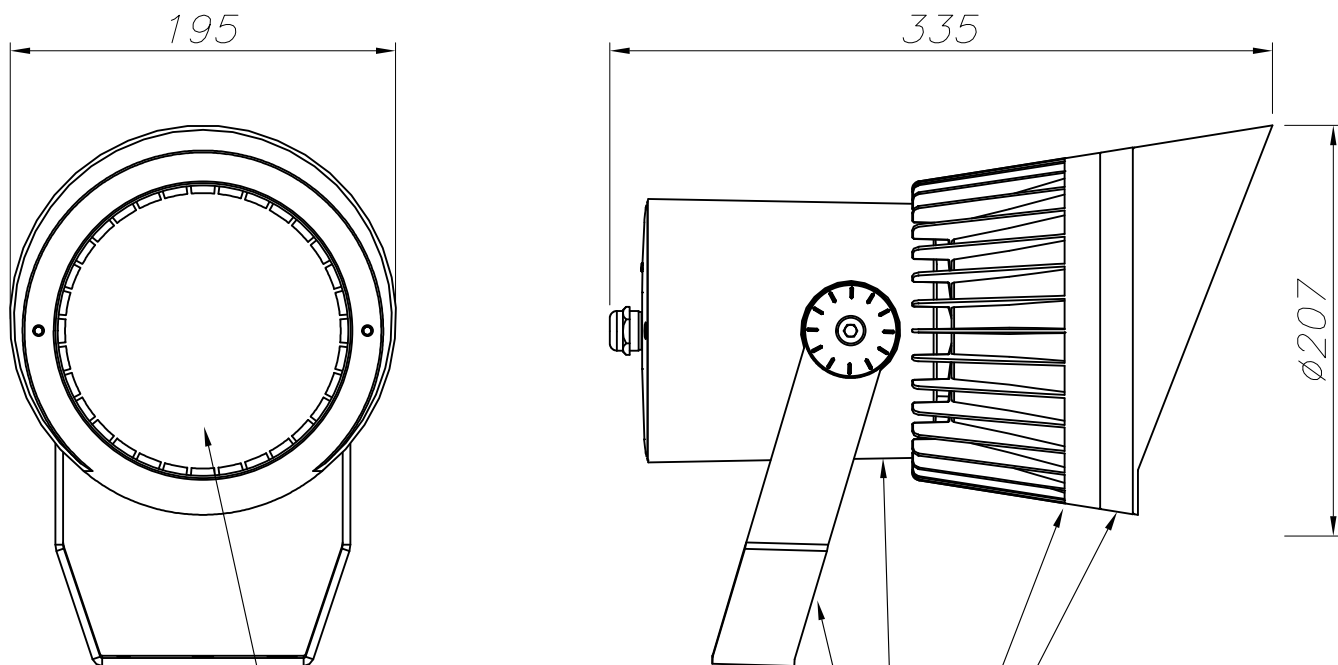
**Luminaire**

Warranty: 5 Years

**Logistics**

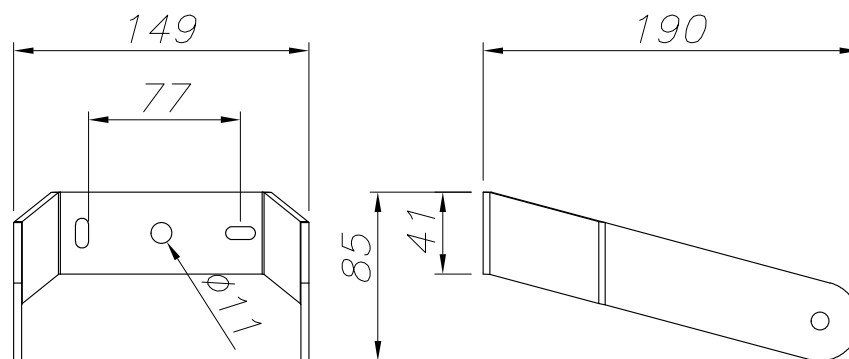
Energy Efficiency: LED A++  
EAN Code: 8435381461751  
Net Weight (Kg): 4.000  
Weight in Kg (packaged): 2.345  
Packing: 275 x 195 x 285  
Masterbox: 1

The photograph may not match the reference exactly. Please read the product description to identify the finish.



TRANSPARENT GLASS  
CRISTAL TRANSPARENTE

ALUMINIO DE ALTA PUREZA  
HIGH QUALITY ALUMINUM



PLANTILLA DE INSTALACIÓN  
INSTALLATION TEMPLATE

