

BASIC Technopolymer Ceiling fixture

Designer: Josep Patsí



Description

Wall light for outdoor use.

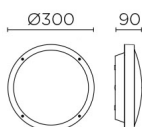
For frontal lighting. Suitable for installation in marine environments. Structure material: Polycarbonate + ABS. Structure finish: Grey. Diffuser material: Polycarbonate. Diffuser finish: Matt. UV protection. Warranty: 5 Years.

Finish

Grey
Matt

Material

Polycarbonate + ABS
Polycarbonate



TECHNICAL CHARACTERISTICS

Light source

Light source: LED SUNPU
Output (W): 14.5W
Total power consumption (W): 17.4
Color temperature: Warm White - 3000K
CRI: 80
Photobiological risk: RG0
Real Lumen: 1135
Qty Leds: 39
Lm/Real W: 65
Life Time: 50.000h L70B30
Bin / Grup: Wi9 o Wi10
MacAdam steps: 3
UGR: 19.2

GEAR

Brand: EAGLERISE
Gear included: Yes, electronic
Voltage / Frequency: 100-240 VAC
Power Factor: 0.90

Luminaire

Double cable exit: No
Seaside: Yes
Cable meters included: -
Uv Protection: Yes
Warranty: 5 Years

Logistics

Energy Efficiency: LED A++
EAN Code: 8435381463267
Net Weight (Kg): 0.955
Weight in Kg (packaged): 1.282
Packing: 310 x 110 x 315
Masterbox: 12

The photograph may not match the reference exactly. Please read the product description to identify the finish.

Luminaire

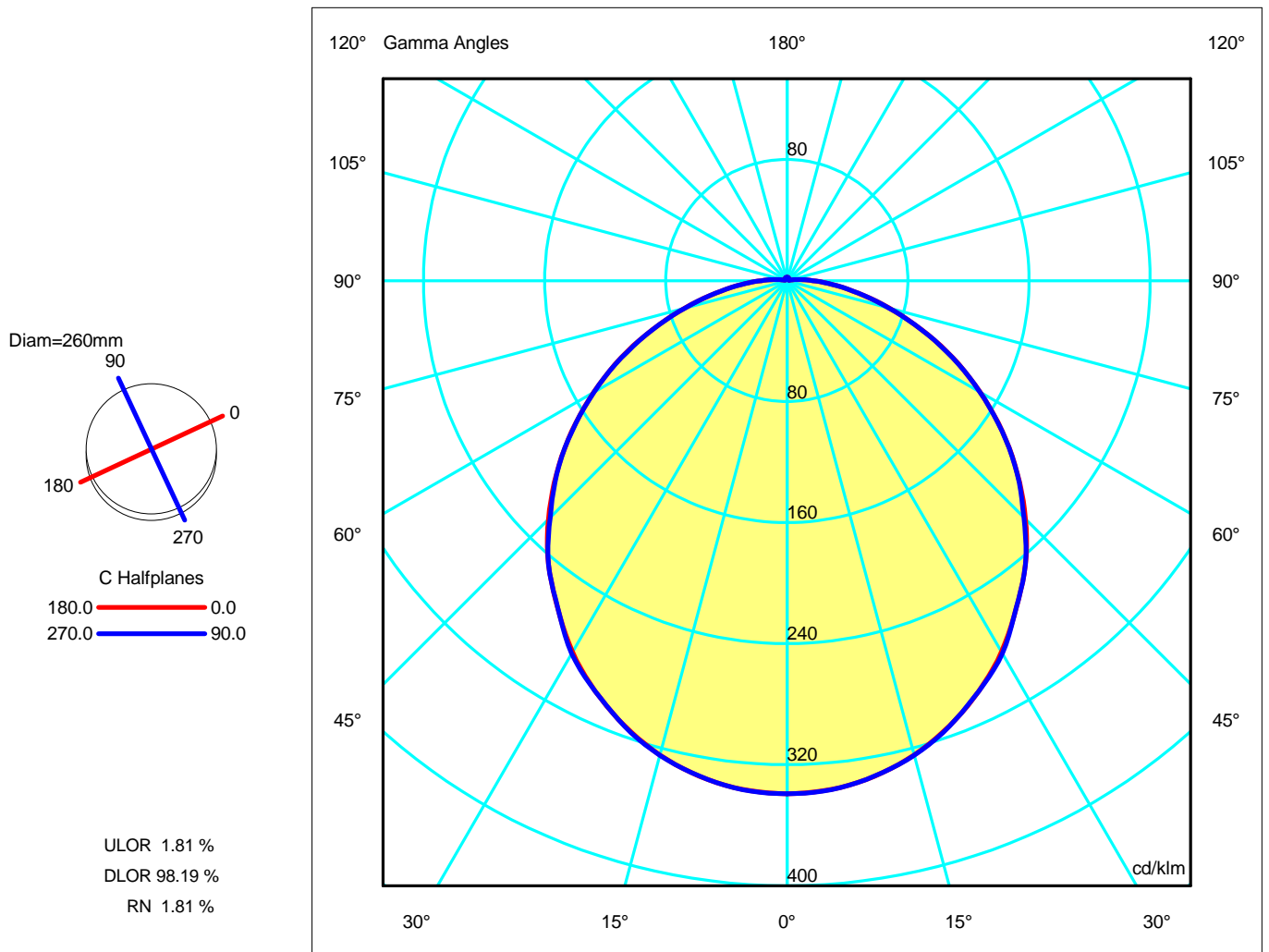
Code 15-9493-34-CL
 Name Plafon leds BASIC 14.5W

Measur.

Code 15-9493-34-CM
 Name Plafon leds BASIC 14.5W

Luminaire Flux	1134.58 lm	Luminaire Power	14.84 W	Efficacy	76.45 lm/W	Efficiency	100.00%
Lamps Flux	1134.58 lm	Maximum value	339.18 cd/klm	Position	C=0.00 G=0.00	CG Double Symmetrical	
Round Luminaire		Diam.	260 mm	Height	90 mm		
Round Luminous Area		Diam.	220 mm	Height	25 mm		
Horizontal Luminous Area	0.038013 m2			Emitting area on Plane 180°	0.005500 m2		
Emitting area on Plane 0°	0.005500 m2			Emitting area on Plane 270°	0.005500 m2		
Emitting area on Plane 90°	0.005500 m2			Glare area at 76°	0.014533 m2		
Coordinate system	CG			Symmetry Type	Double Symmetrical		
Date	11-12-2017			Maximum Gamma Angle	180		
Measurement Distance	0.00			Measurement Flux	1134.58 lm		
Operator	LEDS			Source Voltage [V]			
Temperature	25.00 °C			Source current [A]			
Humidity	60.00 %			Photocell			
Notes							

		Luminaire Lamps			
Line	Code	Name	Flux [lm]	Pow. [W]	Q.ty
	15-9493-34-CL	15-9493-34-CL	1134.58	14.84	1
C.I.E.	46 77 94 98 100	D DIN 5040	A31		
F UTE	0.98 E + 0.02 T	B NBN	BZ 5		



Luminaire

Code 15-9493-34-CL
Name Plafon leds BASIC 14.5W

Measurment

Code 15-9493-34-CM
Name Plafon leds BASIC 14.5W

Luminaire Flux	1134.58 lm	Luminaire Power	14.84 W	Efficacy	76.45 lm/W	Efficiency	100.00%
Lamps Flux	1134.58 lm	Maximum value	339.18 cd/klm	Position	C=0.00 G=0.00	CG	Double Symmetrical

Luminous Intensity Table cd/klm Table 1/1

	C 0.00	C 15.00	C 30.00	C 45.00	C 60.00	C 75.00	C 90.00
G 0.0	339.18	339.18	339.18	339.18	339.18	339.18	339.18
G 5.0	337.56	337.55	337.65	337.60	337.53	337.49	337.74
G 10.0	332.64	332.57	332.99	332.55	332.57	332.67	332.52
G 15.0	324.52	324.35	324.52	324.52	324.54	324.37	324.74
G 20.0	313.30	313.35	314.05	313.28	313.94	313.47	313.47
G 25.0	299.49	299.88	299.54	300.64	299.48	300.68	299.47
G 30.0	283.34	283.43	283.56	282.69	283.46	282.71	284.51
G 35.0	264.09	264.95	264.64	265.50	264.29	265.56	263.94
G 40.0	245.05	244.08	245.00	243.04	244.99	243.17	245.00
G 45.0	222.82	222.60	221.66	222.77	221.52	222.31	221.26
G 50.0	198.82	198.45	198.77	197.11	198.60	196.15	198.50
G 55.0	173.66	173.29	172.27	173.41	172.42	173.24	173.31
G 60.0	147.25	147.30	147.05	146.99	146.99	145.16	147.12
G 65.0	121.20	121.17	120.32	120.96	120.89	120.86	120.70
G 70.0	94.64	94.71	94.47	94.47	94.22	94.67	94.37
G 75.0	69.84	69.66	70.75	69.51	70.76	69.53	69.54
G 80.0	47.90	47.83	48.03	47.86	47.99	49.19	47.94
G 85.0	30.39	30.20	31.03	30.34	30.96	30.29	30.30
G 90.0	16.91	17.18	16.94	17.72	16.93	17.91	17.02
G 95.0	7.63	7.71	7.95	7.55	7.90	7.54	8.22
G100.0	2.39	2.65	2.42	2.67	2.35	2.66	2.41
G105.0	1.12	1.13	1.12	1.13	1.11	1.12	1.11
G110.0	1.20	1.22	1.22	1.22	1.21	1.20	1.21
G115.0	1.29	1.31	1.31	1.30	1.30	1.30	1.28
G120.0	1.42	1.41	1.41	1.40	1.40	1.40	1.42
G125.0	1.52	1.49	1.52	1.52	1.51	1.50	1.51
G130.0	1.59	1.58	1.60	1.61	1.59	1.57	1.59
G135.0	1.66	1.68	1.68	1.69	1.66	1.67	1.68
G140.0	1.75	1.76	1.76	1.76	1.75	1.76	1.76
G145.0	1.83	1.84	1.85	1.84	1.84	1.84	1.84
G150.0	1.93	1.93	1.93	1.92	1.91	1.92	1.91
G155.0	1.98	2.00	2.01	2.00	1.99	1.99	1.99
G160.0	2.07	2.08	2.06	2.08	2.07	2.06	2.07
G165.0	2.13	2.13	2.14	2.13	2.13	2.12	2.14
G170.0	2.19	2.19	2.18	2.18	2.19	2.20	2.18
G175.0	2.25	2.24	2.25	2.22	2.23	2.24	2.24
G180.0	2.27	2.27	2.27	2.27	2.27	2.27	2.27

Luminaire

Code 15-9493-34-CL
 Name Plafon leds BASIC 14.5W

Measur.

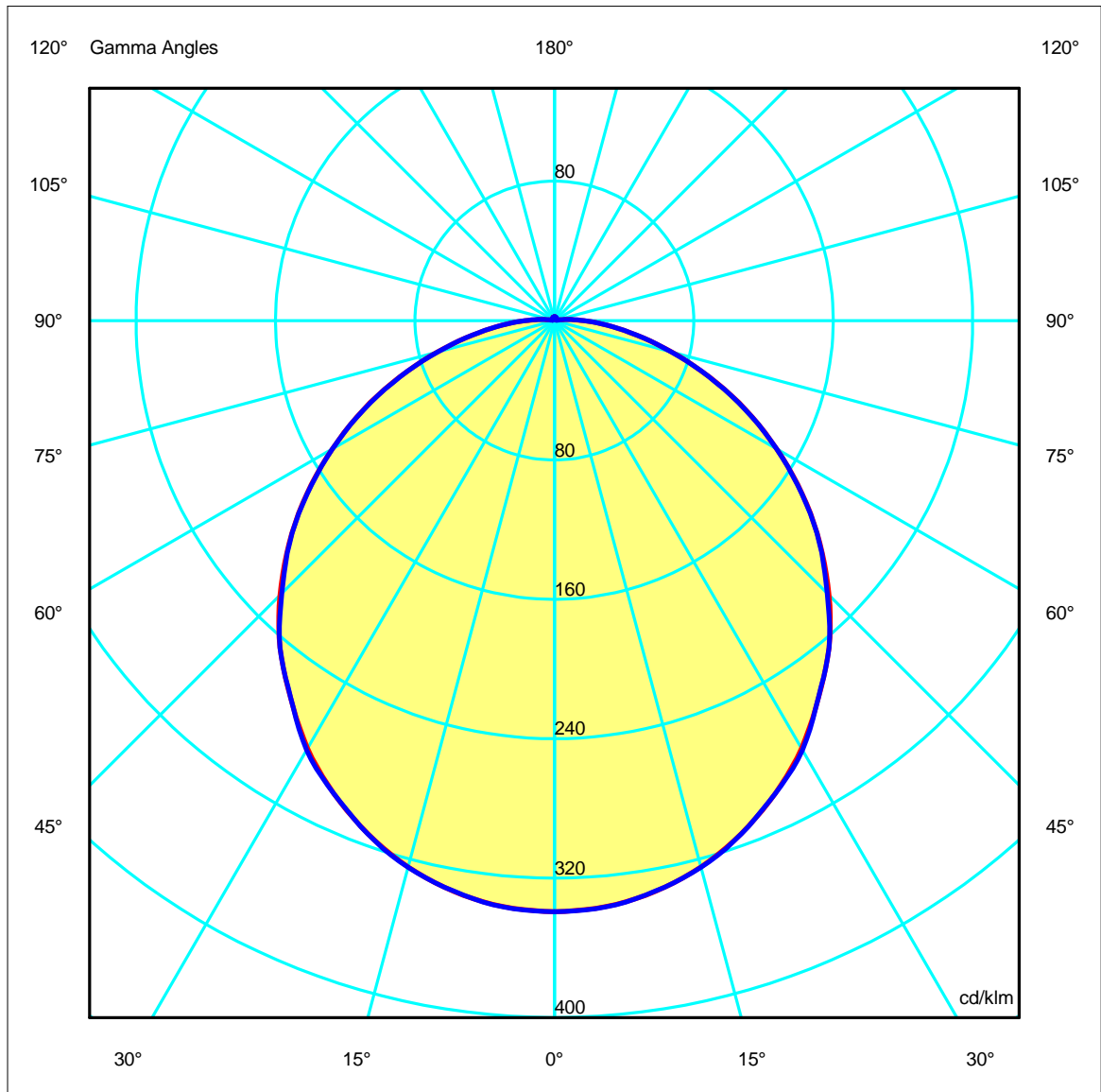
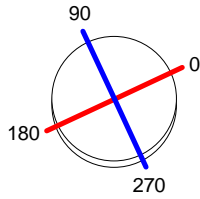
Code 15-9493-34-CM
 Name Plafon leds BASIC 14.5W

Luminaire Flux	1134.58 lm	Luminaire Power	14.84 W	Efficacy	76.45 lm/W	Efficiency	100.00%
Lamps Flux	1134.58 lm	Maximum value	339.18 cd/klm	Position	C=0.00 G=0.00	CG	Double Symmetrical

Diam=260mm

C Halfplanes

180.0 ——— 0.0
 270.0 ——— 90.0



Luminaire

 Code 15-9493-34-CL
 Name Plafon leds BASIC 14.5W

Measur.

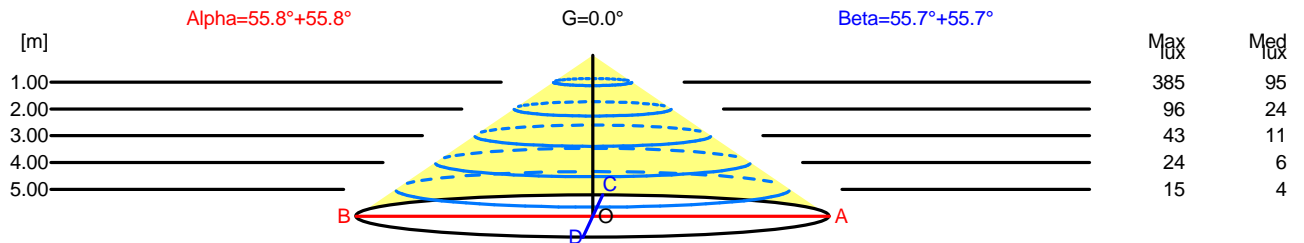
 Code 15-9493-34-CM
 Name Plafon leds BASIC 14.5W

Luminaire Flux	1134.58 lm	Luminaire Power	14.84 W	Efficacy	76.45 lm/W	Efficiency	100.00%
Lamps Flux	1134.58 lm	Maximum value	339.18 cd/klm	Position	C=0.00 G=0.00	CG	Double Symmetrical

Width at 50.00 % of Max Intensity

H[m]	1.00	2.00	3.00	4.00	5.00	H[m]	1.00	2.00	3.00	4.00	5.00
OA	1.47	2.94	4.41	5.88	7.35	OC	1.47	2.93	4.40	5.87	7.33
OB	1.47	2.94	4.41	5.88	7.35	OD	1.47	2.93	4.40	5.87	7.33

	Luminous Intensities [cd/klm]									
	0	5	15	25	35	45	55	65	75	85
OA	384.83	382.99	368.20	339.80	299.63	252.81	197.04	137.51	79.24	34.48
OB	384.83	382.99	368.20	339.80	299.63	252.81	197.04	137.51	79.24	34.48
OC	384.83	383.20	368.45	339.78	299.47	251.03	196.63	136.95	78.90	34.37
OD	384.83	383.20	368.45	339.78	299.47	251.03	196.63	136.95	78.90	34.37



H[m]	D[m]	Max lux	Med lux	Alpha=55.8°+55.8°	G=0.0	
1.00	2.94	385	95		G=0.0	
2.00	5.88	96	24			
3.00	8.82	43	11			
4.00	11.76	24	6			
5.00	14.70	15	4			

H[m]	D[m]	Max lux	Med lux	Beta=55.7°+55.7°	G=0.0	
1.00	2.93	385	95		G=0.0	
2.00	5.87	96	24			
3.00	8.80	43	11			
4.00	11.73	24	6			
5.00	14.67	15	4			

Luminaire

Code 15-9493-34-CL
Name Plafon leds BASIC 14.5W

Measurement

Code 15-9493-34-CM
Name Plafon leds BASIC 14.5W

Luminaire Flux	1134.58 lm	Luminaire Power	14.84 W	Efficacy	76.45 lm/W	Efficiency	100.00%
Lamps Flux	1134.58 lm	Maximum value	339.18 cd/klm	Position	C=0.00 G=0.00	CG	Double Symmetrical

UGR
S = 0.250

Reflectancies										
Ceiling/Cavity	0.7	0.7	0.5	0.5	0.3	0.7	0.7	0.5	0.5	0.3
Walls	0.5	0.3	0.5	0.3	0.3	0.5	0.3	0.5	0.3	0.3
WorkingPlane	0.2	0.2	0.2	0.2	0.2	0.2	0.2	0.2	0.2	0.2
RoomDimensions	Viewed Crosswise					Viewed Endwise				
x=2H y=2H	19.2	20.6	19.6	20.8	21.1	19.2	20.5	19.5	20.8	21.1
x=2H y=3H	20.8	22.0	21.1	22.3	22.6	20.8	22.0	21.1	22.3	22.6
x=2H y=4H	21.4	22.5	21.8	22.9	23.2	21.4	22.5	21.8	22.8	23.2
x=2H y=6H	21.9	23.0	22.3	23.3	23.6	21.9	22.9	22.3	23.3	23.6
x=2H y=8H	22.1	23.1	22.5	23.4	23.8	22.1	23.1	22.5	23.4	23.8
x=2H y=12H	22.2	23.2	22.6	23.6	24.0	22.2	23.2	22.6	23.6	24.0
x=4H y=2H	20.0	21.1	20.3	21.4	21.8	19.9	21.1	20.3	21.4	21.7
x=4H y=3H	21.7	22.7	22.1	23.0	23.4	21.7	22.6	22.1	23.0	23.4
x=4H y=4H	22.4	23.3	22.9	23.7	24.1	22.4	23.3	22.8	23.7	24.1
x=4H y=6H	23.1	23.8	23.5	24.2	24.7	23.1	23.8	23.5	24.2	24.7
x=4H y=8H	23.3	24.0	23.8	24.4	24.9	23.3	24.0	23.8	24.4	24.9
x=4H y=12H	23.5	24.2	24.0	24.6	25.1	23.5	24.2	24.0	24.6	25.1
x=8H y=4H	22.8	23.5	23.2	23.9	24.4	22.8	23.5	23.2	23.9	24.4
x=8H y=6H	23.5	24.1	24.0	24.6	25.1	23.5	24.1	24.0	24.6	25.1
x=8H y=8H	23.9	24.4	24.4	24.9	25.4	23.9	24.4	24.4	24.9	25.4
x=8H y=12H	24.2	24.6	24.7	25.1	25.7	24.2	24.7	24.7	25.2	25.7
x=12H y=4H	22.8	23.4	23.3	23.9	24.4	22.8	23.4	23.3	23.9	24.4
x=12H y=6H	23.6	24.1	24.1	24.6	25.1	23.6	24.1	24.1	24.6	25.1
x=12H y=8H	24.0	24.5	24.5	25.0	25.5	24.0	24.5	24.5	25.0	25.5

Luminaire

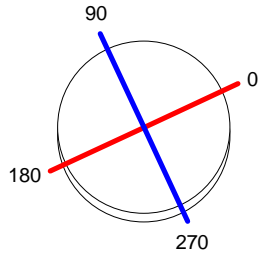
Code 15-9493-34-CL
 Name Plafon leds BASIC 14.5W

Measur.

Code 15-9493-34-CM
 Name Plafon leds BASIC 14.5W

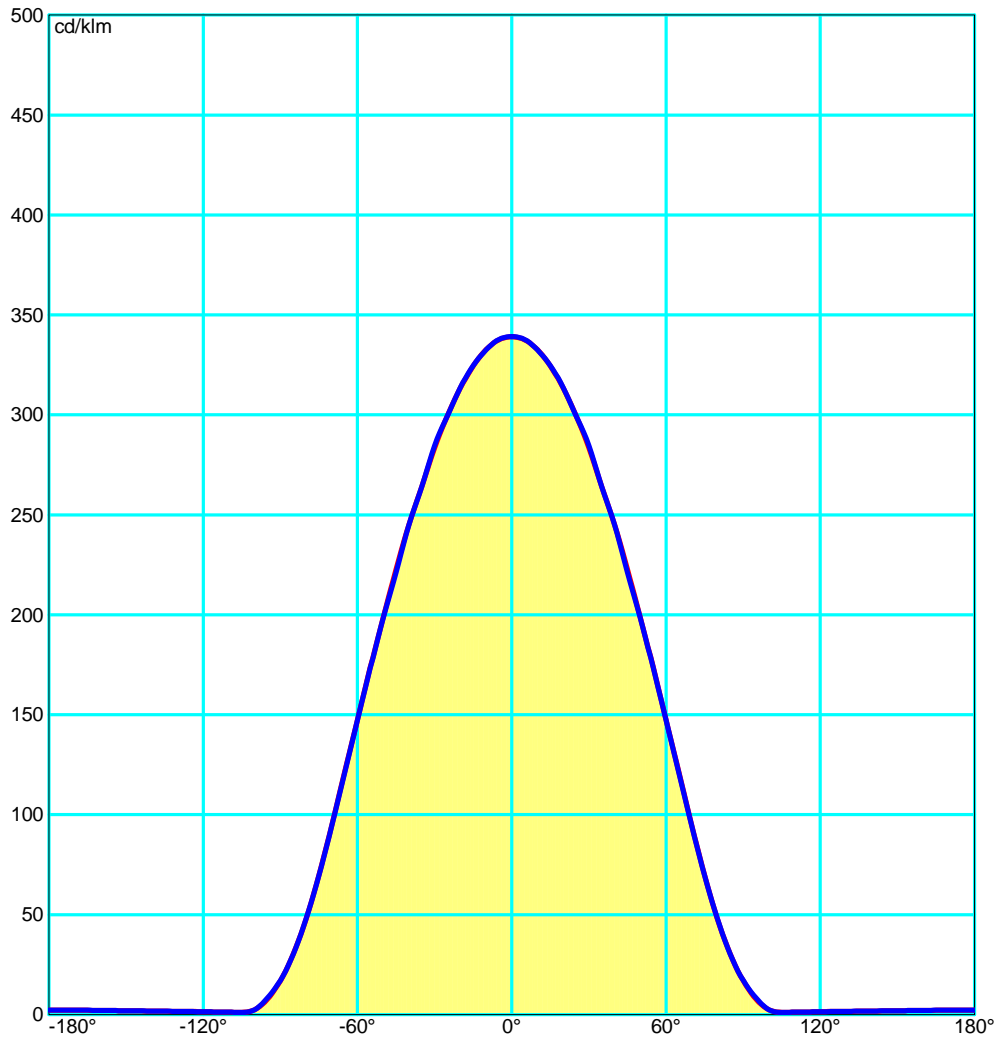
Luminaire Flux	1134.58 lm	Luminaire Power	14.84 W	Efficacy	76.45 lm/W	Efficiency	100.00%
Lamps Flux	1134.58 lm	Maximum value	339.18 cd/klm	Position	C=0.00 G=0.00	CG	Double Symmetrical

Diam=260mm



C Halfplanes

180.0 ———— 0.0
 270.0 ———— 90.0



Luminaire

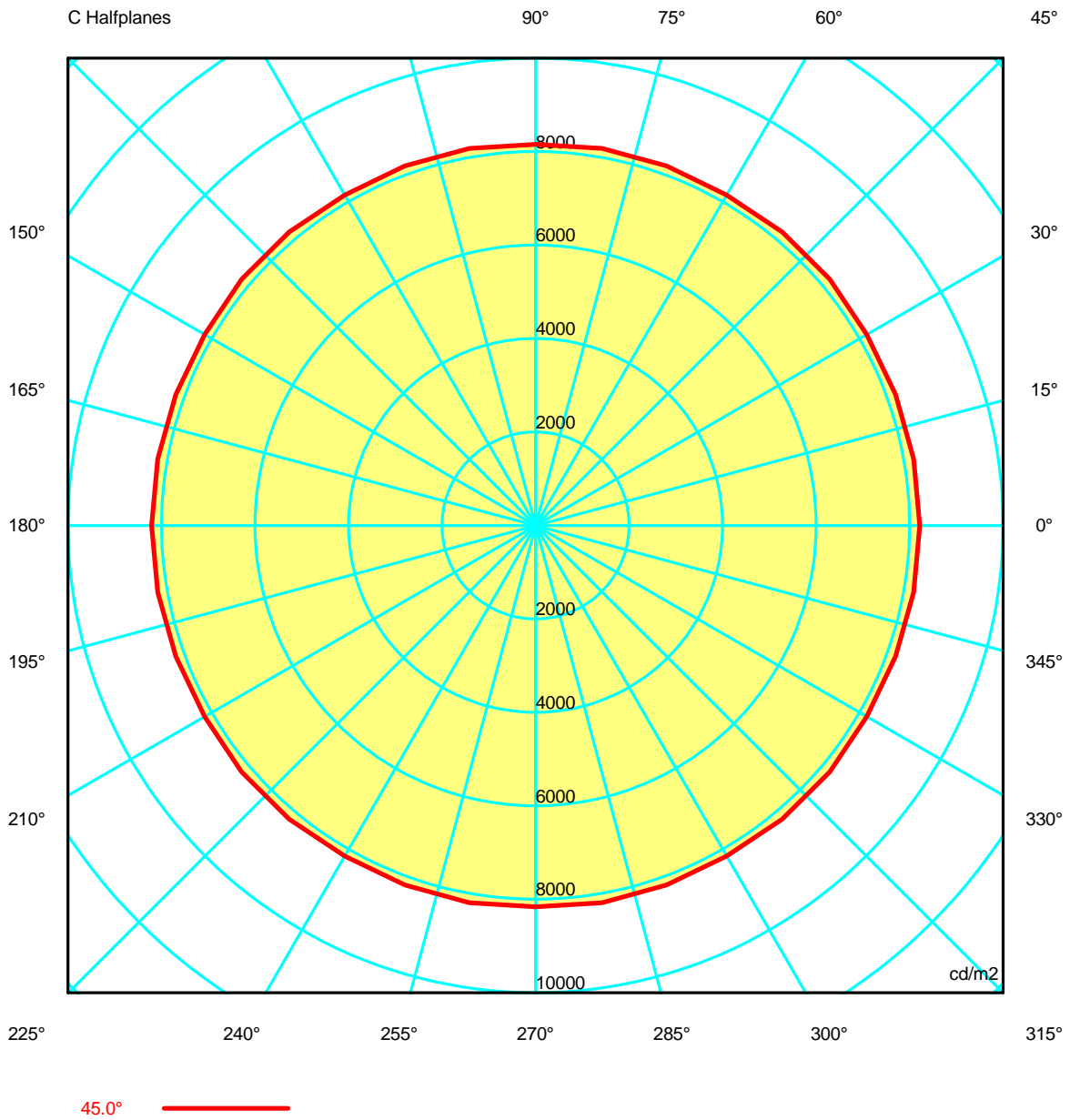
Code 15-9493-34-CL
 Name Plafon leds BASIC 14.5W

Measur.

Code 15-9493-34-CM
 Name Plafon leds BASIC 14.5W

Luminaire Flux	1134.58 lm	Luminaire Power	14.84 W	Efficacy	76.45 lm/W	Efficiency	100.00%
Lamps Flux	1134.58 lm	Maximum value	339.18 cd/klm	Position	C=0.00 G=0.00	CG	Double Symmetrical

Luminance



Luminaire

Code 15-9493-34-CL
Name Plafon leds BASIC 14.5W

Measurment.

Code 15-9493-34-CM
Name Plafon leds BASIC 14.5W

Luminaire Flux	1134.58 lm	Luminaire Power	14.84 W	Efficacy	76.45 lm/W	Efficiency	100.00%
Lamps Flux	1134.58 lm	Maximum value	339.18 cd/klm	Position	C=0.00 G=0.00	CG	Double Symmetrical

Luminance cd/m2 Table 1/3

	C 0.00	C 10.00	C 20.00	C 30.00	C 40.00	C 50.00	C 60.00	C 70.00	C 80.00	C 90.00	C 100.00	C 110.00	C 120.00
G 0.0	10123.61	10123.61	10123.61	10123.61	10123.61	10123.61	10123.61	10123.61	10123.61	10123.61	10123.61	10123.61	10123.61
G 5.0	9987.12	9986.63	9987.94	9989.83	9989.23	9987.79	9986.37	9984.81	9986.76	9992.62	9986.76	9984.81	9986.37
G 10.0	9830.56	9826.94	9833.21	9841.02	9832.86	9828.16	9828.66	9831.26	9830.53	9827.01	9830.53	9831.26	9828.66
G 15.0	9653.41	9649.08	9649.21	9653.25	9655.47	9652.15	9648.78	9668.39	9675.88	9659.99	9675.88	9668.39	9648.78
G 20.0	9453.30	9454.33	9463.84	9476.10	9458.85	9456.78	9472.69	9463.22	9458.48	9458.46	9458.48	9463.22	9472.69
G 25.0	9239.57	9251.77	9245.85	9241.08	9268.85	9265.05	9239.36	9264.17	9273.73	9239.08	9273.73	9264.17	9239.36
G 30.0	9012.23	9014.15	9019.35	9019.26	8996.83	8998.65	9016.05	8997.56	9001.48	9049.40	9001.48	8997.56	9016.05
G 35.0	8737.35	8761.91	8761.63	8755.53	8779.94	8771.47	8743.82	8773.26	8780.39	8732.50	8780.39	8773.26	8743.82
G 40.0	8514.21	8481.09	8494.45	8512.28	8458.42	8462.05	8512.14	8470.27	8452.66	8512.37	8452.66	8470.27	8512.14
G 45.0	8216.41	8210.94	8192.61	8173.76	8205.80	8203.22	8168.48	8187.10	8194.22	8158.82	8194.22	8187.10	8168.48
G 50.0	7874.09	7858.17	7863.58	7872.07	7818.26	7825.42	7865.46	7797.28	7775.30	7861.55	7775.30	7797.28	7865.46
G 55.0	7489.33	7478.57	7453.53	7429.38	7465.99	7469.17	7435.72	7455.50	7472.13	7473.99	7472.13	7455.50	7435.72
G 60.0	7028.38	7031.38	7027.96	7018.85	7017.12	7016.17	7016.00	6948.79	6939.63	7022.19	6939.63	6948.79	7016.00
G 65.0	6532.40	6531.60	6514.02	6485.18	6506.39	6518.44	6515.78	6514.94	6512.87	6505.77	6512.87	6514.94	6515.78
G 70.0	5909.58	5914.93	5908.99	5898.95	5900.60	5893.85	5883.21	5903.00	5911.54	5892.96	5911.54	5903.00	5883.21
G 75.0	5230.11	5205.33	5250.29	5297.94	5227.00	5228.30	5299.10	5237.61	5191.27	5207.77	5191.27	5237.61	5299.10
G 80.0	4522.07	4514.30	4521.79	4534.73	4527.37	4510.41	4531.20	4619.20	4629.91	4525.81	4629.91	4619.20	4531.20
G 85.0	3921.49	3885.20	3937.24	4004.01	3938.94	3932.55	3994.61	3937.03	3893.95	3909.71	3893.95	3937.03	3994.61
G 90.0	3487.67	3543.82	3527.27	3495.07	3625.48	3606.78	3492.41	3629.19	3683.48	3511.79	3683.48	3629.19	3492.41

Luminaire

Code 15-9493-34-CL
Name Plafon leds BASIC 14.5W

Measurment.

Code 15-9493-34-CM
Name Plafon leds BASIC 14.5W

Luminaire Flux	1134.58 lm	Luminaire Power	14.84 W	Efficacy	76.45 lm/W	Efficiency	100.00%
Lamps Flux	1134.58 lm	Maximum value	339.18 cd/klm	Position	C=0.00 G=0.00	CG	Double Symmetrical

Luminance cd/m2 Table 2/3

	C 130.00	C 140.00	C 150.00	C 160.00	C 170.00	C 180.00	C 190.00	C 200.00	C 210.00	C 220.00	C 230.00	C 240.00	C 250.00
G 0.0	10123.61	10123.61	10123.61	10123.61	10123.61	10123.61	10123.61	10123.61	10123.61	10123.61	10123.61	10123.61	10123.61
G 5.0	9987.79	9989.23	9989.83	9987.94	9986.63	9987.12	9986.63	9987.94	9989.83	9989.23	9987.79	9986.37	9984.81
G 10.0	9828.16	9832.86	9841.02	9833.21	9826.94	9830.56	9826.94	9833.21	9841.02	9832.86	9828.16	9828.66	9831.26
G 15.0	9652.15	9655.47	9653.25	9649.21	9649.08	9653.41	9649.08	9649.21	9653.25	9655.47	9652.15	9648.78	9668.39
G 20.0	9456.78	9458.85	9476.10	9463.84	9454.33	9453.30	9454.33	9463.84	9476.10	9458.85	9456.78	9472.69	9463.22
G 25.0	9265.05	9268.85	9241.08	9245.85	9251.77	9239.57	9251.77	9245.85	9241.08	9268.85	9265.05	9239.36	9264.17
G 30.0	8998.65	8996.83	9019.26	9019.35	9014.15	9012.23	9014.15	9019.35	9019.26	8996.83	8998.65	9016.05	8997.56
G 35.0	8771.47	8779.94	8755.53	8761.63	8761.91	8737.35	8761.91	8761.63	8755.53	8779.94	8771.47	8743.82	8773.26
G 40.0	8462.05	8458.42	8512.28	8494.45	8481.09	8514.21	8481.09	8494.45	8512.28	8458.42	8462.05	8512.14	8470.27
G 45.0	8203.22	8205.80	8173.76	8192.61	8210.94	8216.41	8210.94	8192.61	8173.76	8205.80	8203.22	8168.48	8187.10
G 50.0	7825.42	7818.26	7872.07	7863.58	7858.17	7874.09	7858.17	7863.58	7872.07	7818.26	7825.42	7865.46	7797.28
G 55.0	7469.17	7465.99	7429.38	7453.53	7478.57	7489.33	7478.57	7453.53	7429.38	7465.99	7469.17	7435.72	7455.50
G 60.0	7016.17	7017.12	7018.85	7027.96	7031.38	7028.38	7031.38	7027.96	7018.85	7017.12	7016.17	7016.00	6948.79
G 65.0	6518.44	6506.39	6485.18	6514.02	6531.60	6532.40	6531.60	6514.02	6485.18	6506.39	6518.44	6515.78	6514.94
G 70.0	5893.85	5900.60	5898.95	5908.99	5914.93	5909.58	5914.93	5908.99	5898.95	5900.60	5893.85	5883.21	5903.00
G 75.0	5228.30	5227.00	5297.94	5250.29	5205.33	5230.11	5205.33	5250.29	5297.94	5227.00	5228.30	5299.10	5237.61
G 80.0	4510.41	4527.37	4534.73	4521.79	4514.30	4522.07	4514.30	4521.79	4534.73	4527.37	4510.41	4531.20	4619.20
G 85.0	3932.55	3938.94	4004.01	3937.24	3885.20	3921.49	3885.20	3937.24	4004.01	3938.94	3932.55	3994.61	3937.03
G 90.0	3606.78	3625.48	3495.07	3527.27	3543.82	3487.67	3543.82	3527.27	3495.07	3625.48	3606.78	3492.41	3629.19

Luminaire

Code 15-9493-34-CL
Name Plafon leds BASIC 14.5W

Measur.

Code 15-9493-34-CM
Name Plafon leds BASIC 14.5W

Luminaire Flux	1134.58 lm	Luminaire Power	14.84 W	Efficacy	76.45 lm/W	Efficiency	100.00%
Lamps Flux	1134.58 lm	Maximum value	339.18 cd/klm	Position	C=0.00 G=0.00	CG	Double Symmetrical

Luminance cd/m2 Table 3/3

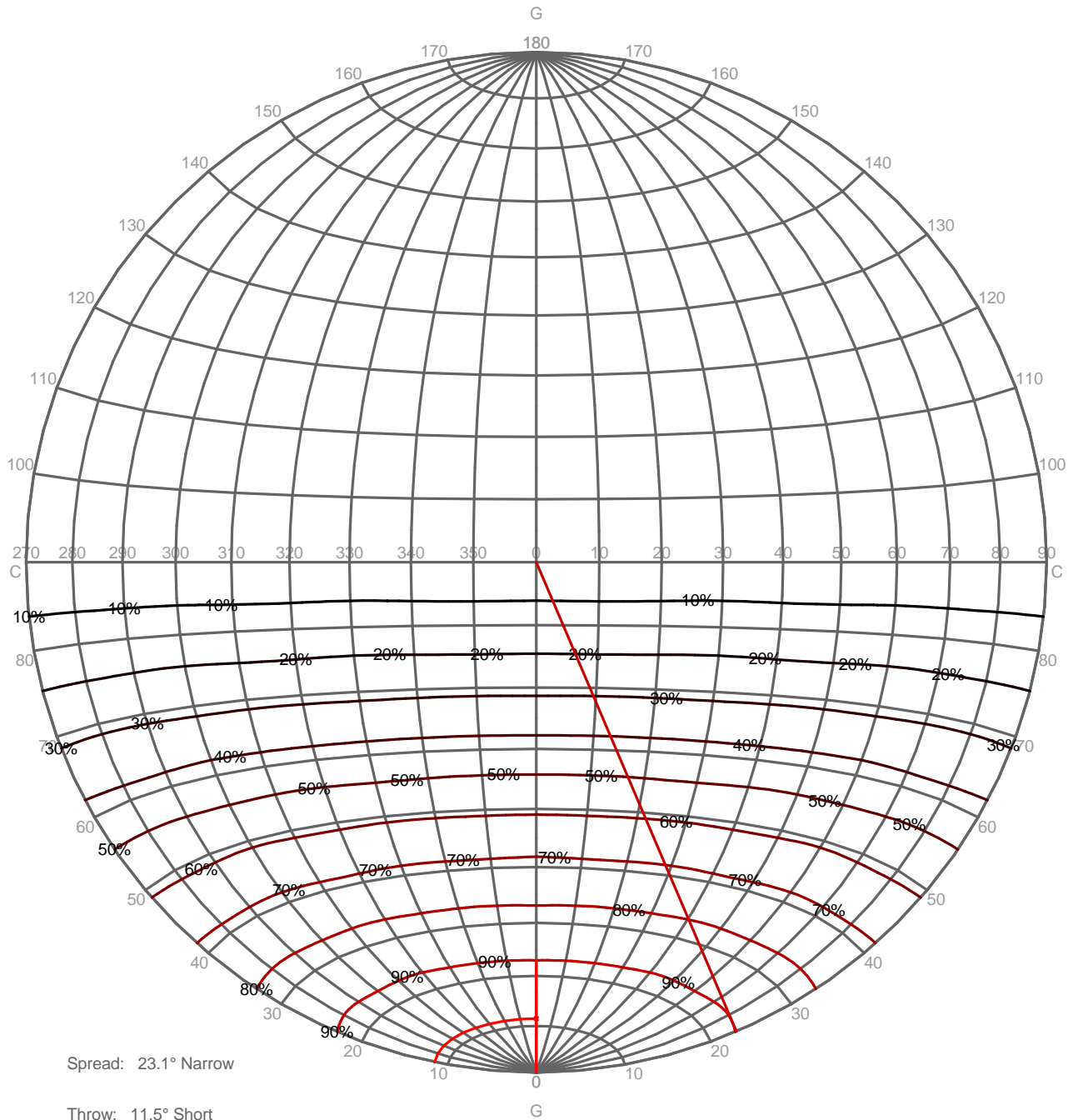
	C 260.00	C 270.00	C 280.00	C 290.00	C 300.00	C 310.00	C 320.00	C 330.00	C 340.00	C 350.00
G 0.0	10123.61	10123.61	10123.61	10123.61	10123.61	10123.61	10123.61	10123.61	10123.61	10123.61
G 5.0	9986.76	9992.62	9986.76	9984.81	9986.37	9987.79	9989.23	9989.83	9987.94	9986.63
G 10.0	9830.53	9827.01	9830.53	9831.26	9828.66	9828.16	9832.86	9841.02	9833.21	9826.94
G 15.0	9675.88	9659.99	9675.88	9668.39	9648.78	9652.15	9655.47	9653.25	9649.21	9649.08
G 20.0	9458.48	9458.46	9458.48	9463.22	9472.69	9456.78	9458.85	9476.10	9463.84	9454.33
G 25.0	9273.73	9239.08	9273.73	9264.17	9239.36	9265.05	9268.85	9241.08	9245.85	9251.77
G 30.0	9001.48	9049.40	9001.48	8997.56	9016.05	8998.65	8996.83	9019.26	9019.35	9014.15
G 35.0	8780.39	8732.50	8780.39	8773.26	8743.82	8771.47	8779.94	8755.53	8761.63	8761.91
G 40.0	8452.66	8512.37	8452.66	8470.27	8512.14	8462.05	8458.42	8512.28	8494.45	8481.09
G 45.0	8194.22	8158.82	8194.22	8187.10	8168.48	8203.22	8205.80	8173.76	8192.61	8210.94
G 50.0	7775.30	7861.55	7775.30	7797.28	7865.46	7825.42	7818.26	7872.07	7863.58	7858.17
G 55.0	7472.13	7473.99	7472.13	7455.50	7435.72	7469.17	7465.99	7429.38	7453.53	7478.57
G 60.0	6939.63	7022.19	6939.63	6948.79	7016.00	7016.17	7017.12	7018.85	7027.96	7031.38
G 65.0	6512.87	6505.77	6512.87	6514.94	6515.78	6518.44	6506.39	6485.18	6514.02	6531.60
G 70.0	5911.54	5892.96	5911.54	5903.00	5883.21	5893.85	5900.60	5898.95	5908.99	5914.93
G 75.0	5191.27	5207.77	5191.27	5237.61	5299.10	5228.30	5227.00	5297.94	5250.29	5205.33
G 80.0	4629.91	4525.81	4629.91	4619.20	4531.20	4510.41	4527.37	4534.73	4521.79	4514.30
G 85.0	3893.95	3909.71	3893.95	3937.03	3994.61	3932.55	3938.94	4004.01	3937.24	3885.20
G 90.0	3683.48	3511.79	3683.48	3629.19	3492.41	3606.78	3625.48	3495.07	3527.27	3543.82

Luminaire
 Code 15-9493-34-CL
 Name Plafon leds BASIC 14.5W
Measur.
 Code 15-9493-34-CM
 Name Plafon leds BASIC 14.5W

Luminaire Flux	1134.58 lm	Luminaire Power	14.84 W	Efficacy	76.45 lm/W	Efficiency	100.00%
Lamps Flux	1134.58 lm	Maximum value	339.18 cd/klm	Position	C=0.00 G=0.00	CG	Double Symmetrical

PERCENTAGE ISOCANDLES

Projection: Equal Area SLI 6.5 Tight Tilting Angle:0°



Luminaire

Code 15-9493-34-CL
 Name Plafon leds BASIC 14.5W

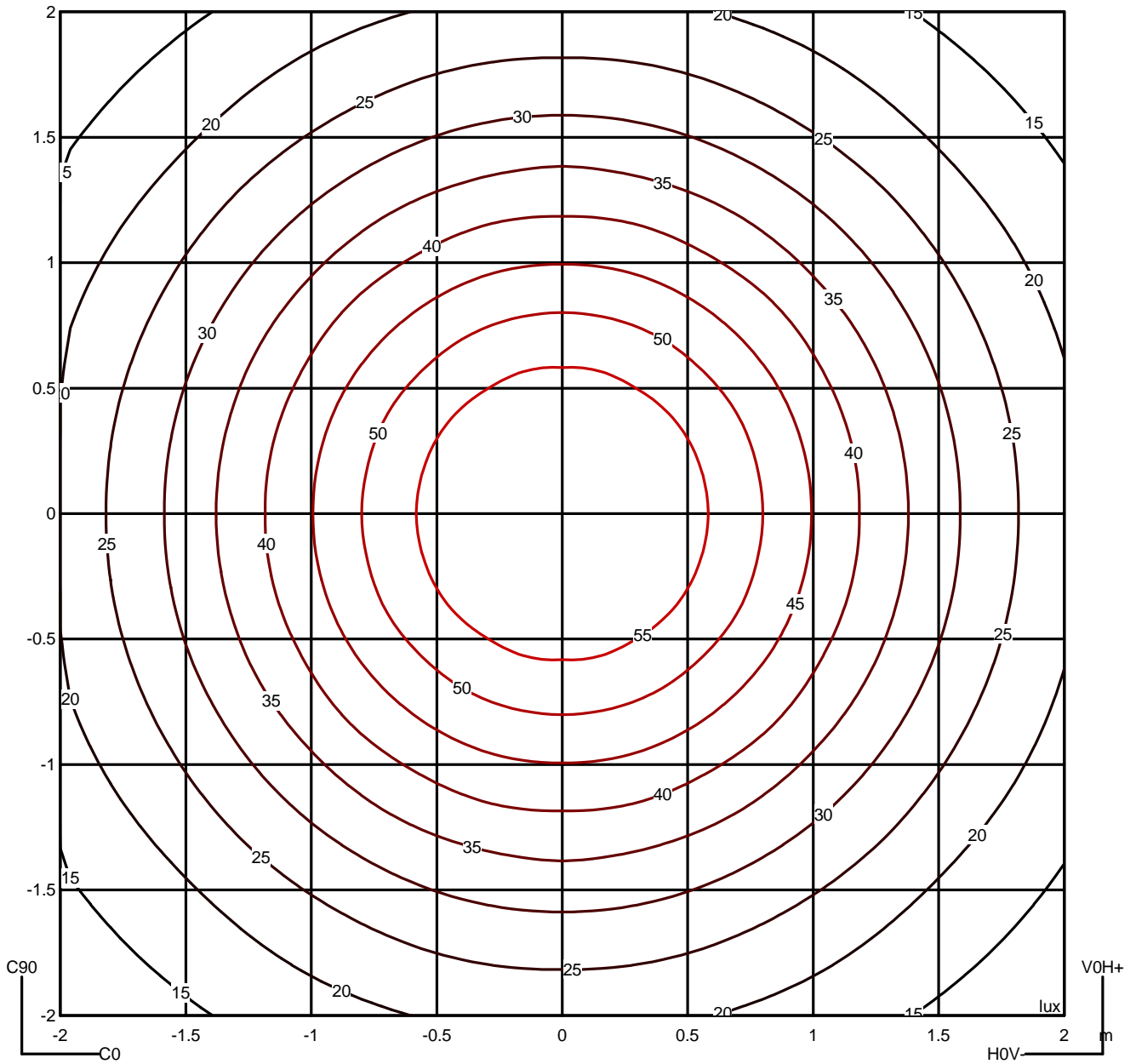
Measur.

Code 15-9493-34-CM
 Name Plafon leds BASIC 14.5W

Luminaire Flux	1134.58 lm	Luminaire Power	14.84 W	Efficacy	76.45 lm/W	Efficiency	100.00%
Lamps Flux	1134.58 lm	Maximum value	339.18 cd/klm	Position	C=0.00 G=0.00	CG	Double Symmetrical

Isolux (Floor)

Luminaire position X=0.00m Y=0.00m Z=2.50m



Luminaire

Code 15-9493-34-CL
 Name Plafon leds BASIC 14.5W

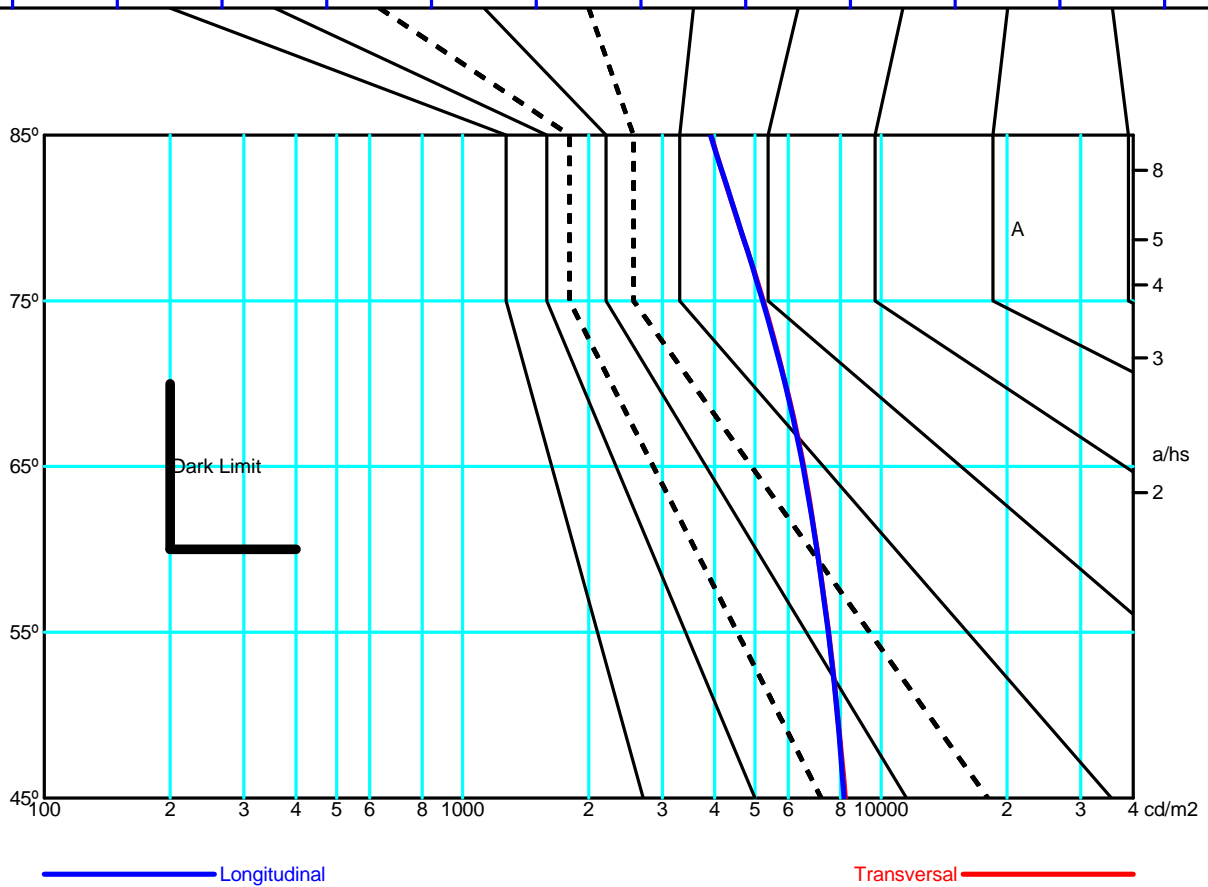
Measurment

Code 15-9493-34-CM
 Name Plafon leds BASIC 14.5W

Luminaire Flux	1134.58 lm	Luminaire Power	14.84 W	Efficacy	76.45 lm/W	Efficiency	100.00%
Lamps Flux	1134.58 lm	Maximum value	339.18 cd/klm	Position	C=0.00 G=0.00	CG	Double Symmetrical

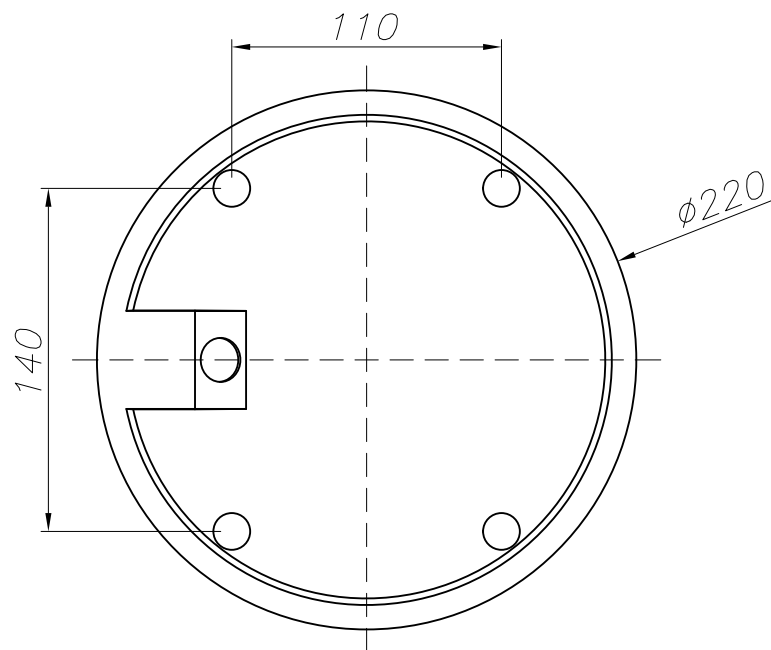
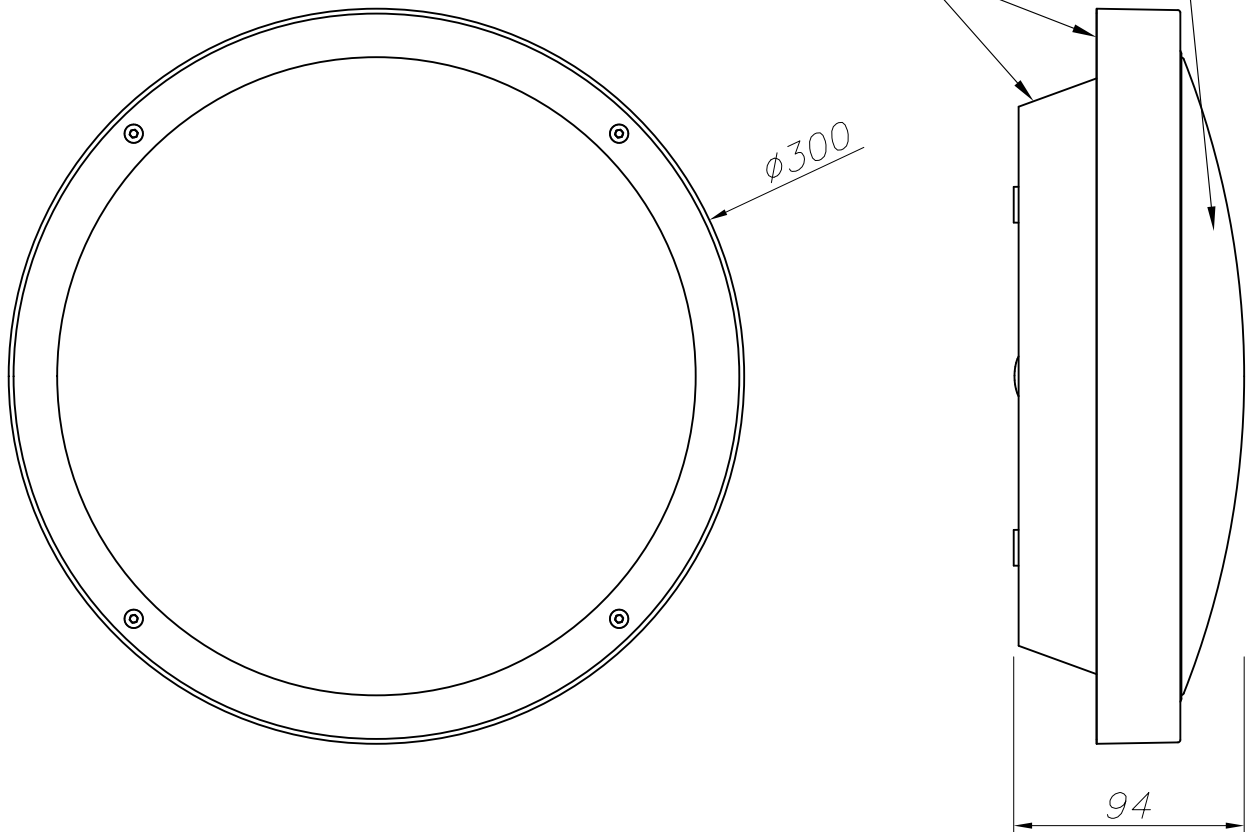
Average Luminance [cd/m ²]										
	45°	50°	55°	60°	65°	70°	75°	80°	85°	
0.0°	8216	7874	7489	7028	6532	5910	5230	4522	3921	---
90.0°	8159	7862	7474	7022	6506	5893	5208	4526	3910	---

Flush mounted or longitudinal view												
		Illumination(Ix)										
A	A	2000	1000	750	500		<300					1.15
B	1		2000	1500	1000	750	500	<300				1.5
C					2000		1000	500	<300			1.85
D	2						2000	1000	500	<300		2.2
E	3							2000	1000	500	<300	2.55



PC SEMITRANSARENTE (70% BLANCO) MATE
SEMISTRANSARENT (70% WHITE) MATT PC

PC+ABS MATE
MATT PC+ABS



PLANTILLA DE INSTALACIÓN
INSTALLATION TEMPLATE

