

BASIC Technopolymer Ceiling fixture

Designer: Josep Patsí



Description

Wall light for outdoor use.

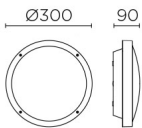
For frontal lighting. Suitable for installation in marine environments. Structure material: Polycarbonate + ABS. Structure finish: Grey. Diffuser material: Polycarbonate. Diffuser finish: Matt. UV protection. Warranty: 5 Years.

Finish

Grey
Matt

Material

Polycarbonate + ABS
Polycarbonate



TECHNICAL CHARACTERISTICS

Light source

Light source: LED SUNPU
Output (W): 14.5W
Total power consumption (W): 17.4
Color temperature: Neutral white - 4000K
CRI: 80
Real Lumen: 1208
Qty Leds: 39
Lm/Real W: 69
Life Time: 50.000h L70B30
Bin / Grup: WG8 o WG9
MacAdam steps: 3
UGR: 19.4
Photobiological risk: RG0

GEAR

Brand: EAGLERISE
Gear included: Yes, electronic
Voltage / Frequency:
100-240VAC/50-60Hz
Power Factor: 0.90

Luminaire

Double cable exit: No
Seaside: Yes
Cable meters included: -
Uv Protection: Yes
Warranty: 5 Years

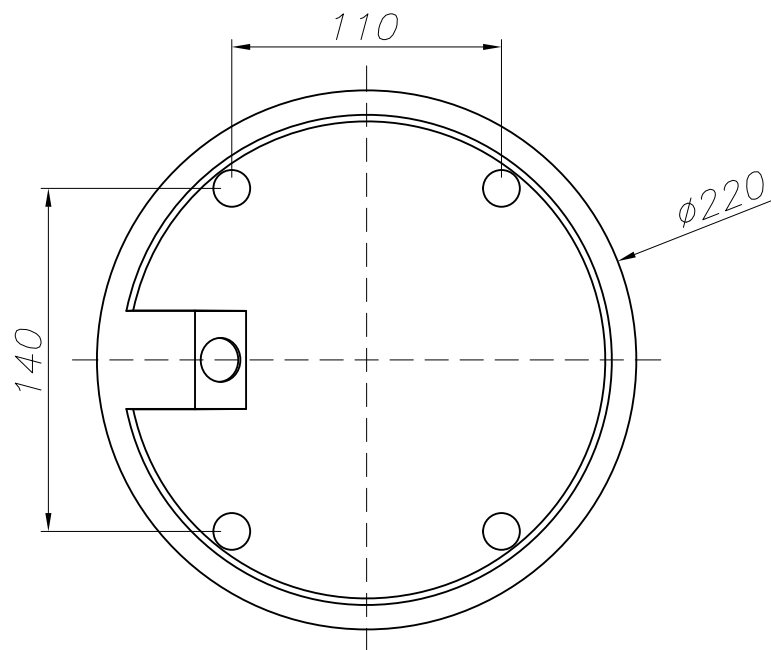
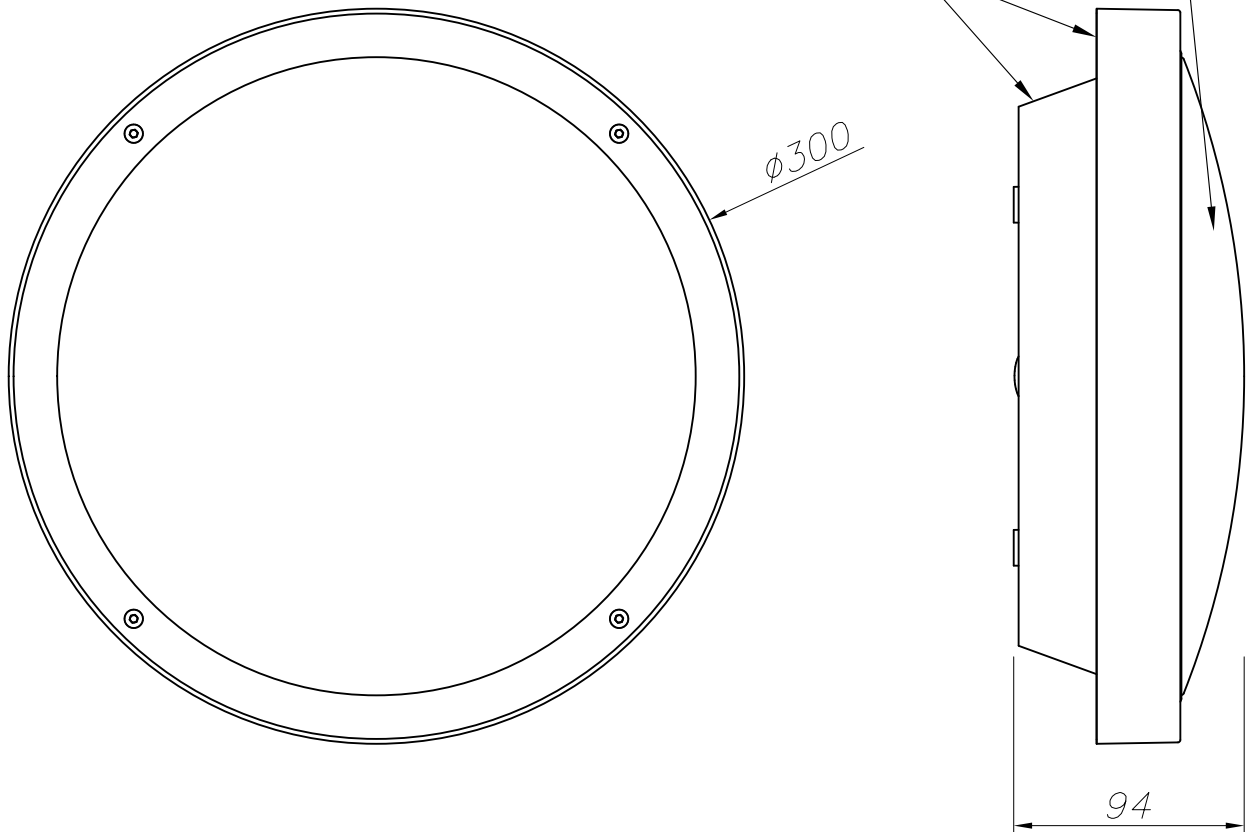
Logistics

Energy Efficiency: LED A++
EAN Code: 8435381463274
Net Weight (Kg): 0.955
Weight in Kg (packaged): 1.282
Packing: 310 x 110 x 315
Masterbox: 12

The photograph may not match the reference exactly. Please read the product description to identify the finish.

PC SEMITRANSARENTE (70% BLANCO) MATE
SEMISTRANSARENT (70% WHITE) MATT PC

PC+ABS MATE
MATT PC+ABS



PLANTILLA DE INSTALACIÓN
INSTALLATION TEMPLATE

