

BASIC Technopolymer Ceiling fixture

Designer: Josep Patsí

**Description**

Wall light for outdoor use.

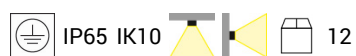
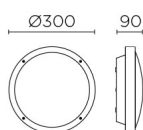
For downlighting. Suitable for installation in marine environments. Structure material: Polycarbonate + ABS. Structure finish: White. Diffuser material: Polycarbonate. Diffuser finish: Opal. UV protection. Warranty: 5 Years.

Finish

White
Opal

Material

Polycarbonate + ABS
Polycarbonate

**TECHNICAL CHARACTERISTICS****Light source**

Light source: LED SUNPU
Output (W): 14.5W
Total power consumption (W): 17.1
Color temperature: Warm White - 3000K
CRI: 80
Photobiological risk: RG0
Real Lumen: 1078
Qty Leds: 39
Lm/Real W: 63
Life Time: 50.000h L70B30
Bin / Grup: Wi9 o Wi10
MacAdam steps: 3
UGR: 16.5

GEAR

Brand: EAGLERISE
Gear included: Yes, electronic
Voltage / Frequency: 100-240 VAC
Power Factor: 0.90

Luminaire

Double cable exit: No
Drainage: No
Seaside: Yes
Uv Protection: Yes
Warranty: 5 Years

Logistics

Energy Efficiency: LED A++
EAN Code: 8435381463304
Net Weight (Kg): 0.720
Weight in Kg (packaged): 1.030
Packing: 310 x 105 x 320
Masterbox: 12

The photograph may not match the reference exactly. Please read the product description to identify the finish.

Luminaire

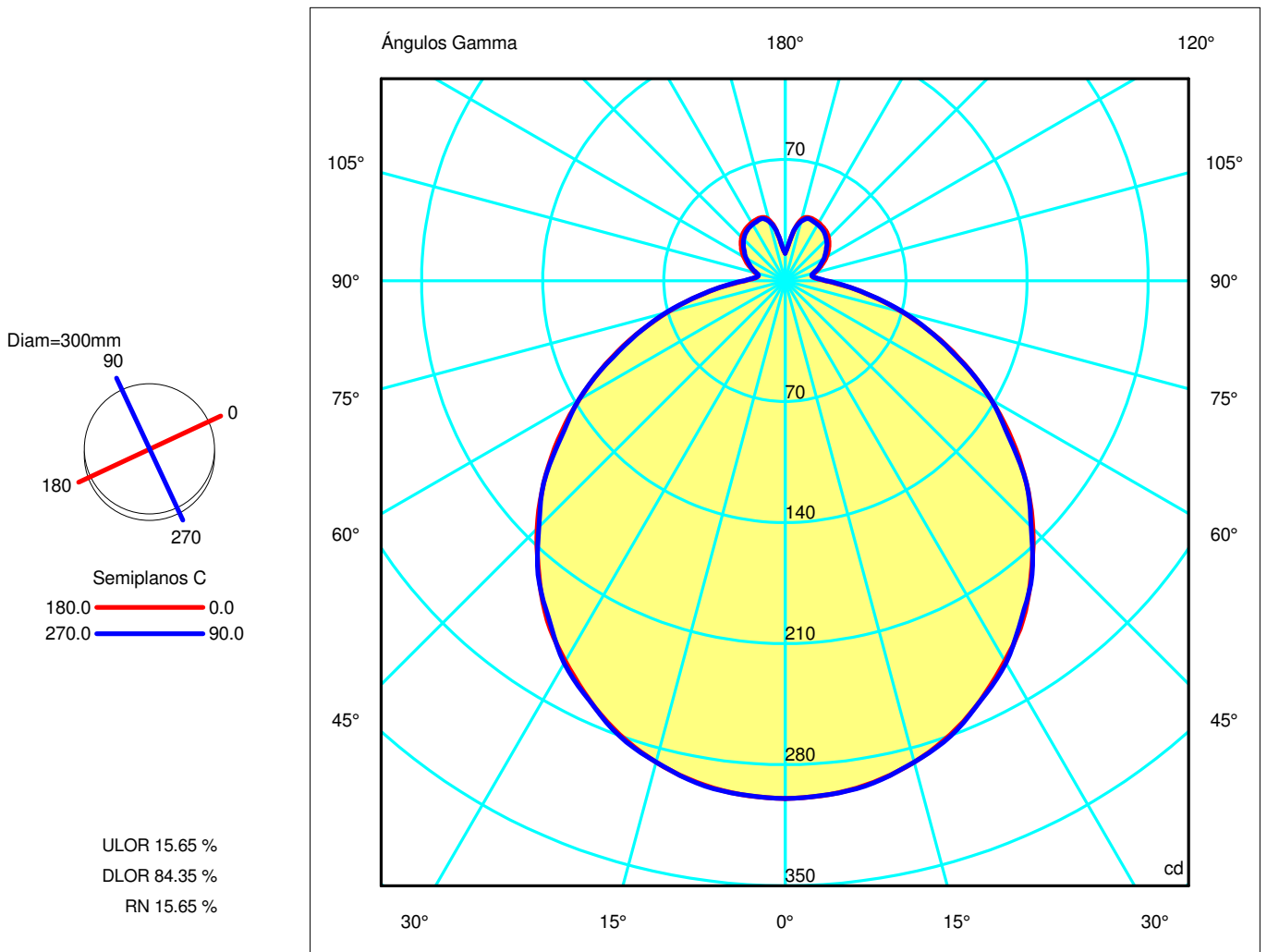
Code 15-9677-14-CL
Name Plafon leds OPAL 14.5W

Measur.

Code CL116A17F215G
Name Plafon leds OPAL 14.5W

Luminaire Flux	1078.25 lm	Luminaire Power	14.56 W	Efficacy	74.06 lm/W	Efficiency	100.00%
Lamps Flux	1078.25 lm	Maximum value	299.49 cd	Position	C=0.00 G=0.00	CG	Double Symmetrical
Round Luminaire Round Luminous Area		Diam. Diam.	300 mm 260 mm	Height Height	90 mm 30 mm		
Horizontal Luminous Area Emitting area on Plane 0° Emitting area on Plane 90°		0.053093 m2 0.007800 m2 0.007800 m2		Emitting area on Plane 180° Emitting area on Plane 270° Glare area at 76°		0.007800 m2 0.007800 m2 0.020413 m2	
Coordinate system Date Measurement Distance		CG 06-04-2017 6.44		Symmetry Type Maximum Gamma Angle Measurement Flux		Double Symmetrical 180 1078.25 lm	
Operator Temperature Humidity Notes		Asselum T2 25.00 °C 45.00 % CG		Source Voltage [V] Source current [A] Photocell		230.10 V 0.07 A Prc	

Line		Code	Luminaire Lamps	Flux [lm]	Pow. [W]	Q.ty
		15-9677-14-CL	Name Plafon leds OPAL 14.5W	1078.25	14.56	1
C.I.E.	44 75 92 84 100		D DIN 5040	B31		
F UTE	0.84 E + 0.16 T		B NBN	BZ 5		



Luminaire

Code 15-9677-14-CL
Name Plafon leds OPAL 14.5W

Measur.

Code CL116A17F215G
Name Plafon leds OPAL 14.5W

Luminaire Flux	1078.25 lm	Luminaire Power	14.56 W	Efficacy	74.06 lm/W	Efficiency	100.00%
Lamps Flux	1078.25 lm	Maximum value	299.49 cd	Position	C=0.00 G=0.00	CG	Double Symmetrical

Luminous Intensity Table cd Table 1/1

	C 0.00	C 15.00	C 30.00	C 45.00	C 60.00	C 75.00	C 90.00
G 0.0	299.49	299.49	299.49	299.49	299.49	299.49	299.49
G 5.0	298.24	298.21	298.29	298.25	298.31	298.33	298.25
G 10.0	294.55	294.60	294.75	294.84	294.53	294.51	294.94
G 15.0	288.28	288.35	288.18	288.15	288.23	288.26	288.24
G 20.0	279.35	279.38	279.65	280.08	279.31	279.76	280.20
G 25.0	267.62	268.32	268.27	267.79	268.51	267.85	267.86
G 30.0	253.96	254.70	254.72	255.29	254.86	254.70	255.39
G 35.0	239.80	239.03	238.99	238.26	238.95	239.08	238.32
G 40.0	221.43	221.41	221.43	222.16	221.37	221.82	222.14
G 45.0	202.73	202.30	201.95	201.17	202.55	201.97	201.22
G 50.0	182.10	181.36	181.89	181.95	181.32	181.64	182.11
G 55.0	160.12	159.41	159.15	158.17	160.16	159.55	158.01
G 60.0	137.35	137.51	137.48	137.41	137.52	137.59	137.67
G 65.0	114.44	114.73	113.82	114.40	114.55	114.68	113.75
G 70.0	91.92	91.82	91.90	91.94	91.79	91.88	91.47
G 75.0	70.18	70.13	70.89	70.74	70.21	70.20	71.09
G 80.0	50.67	50.69	50.74	50.87	50.65	50.89	50.88
G 85.0	34.64	35.07	35.29	36.30	34.90	35.48	35.47
G 90.0	23.12	23.73	23.55	23.60	23.97	23.78	23.73
G 95.0	17.33	17.61	17.57	17.89	17.72	18.05	18.20
G100.0	15.91	15.92	15.72	15.66	15.61	15.78	15.72
G105.0	17.82	17.65	17.34	17.05	17.08	17.06	16.97
G110.0	20.92	21.05	20.71	20.49	20.13	20.04	20.23
G115.0	24.40	24.44	24.05	23.46	23.30	22.96	22.90
G120.0	27.61	27.61	27.27	26.95	26.25	26.09	26.06
G125.0	30.57	30.42	30.09	29.64	29.20	28.76	28.64
G130.0	33.15	33.13	32.86	32.39	31.76	31.44	31.47
G135.0	35.41	35.33	34.86	34.36	34.00	33.86	33.77
G140.0	37.00	36.91	36.29	35.82	35.63	35.63	35.62
G145.0	37.98	37.90	37.31	36.85	36.75	36.79	36.81
G150.0	38.66	38.55	37.98	37.51	37.44	37.47	37.47
G155.0	39.05	38.94	38.39	37.96	37.88	37.93	37.98
G160.0	38.89	38.63	37.97	37.65	37.80	38.14	38.22
G165.0	36.63	36.21	35.68	34.89	35.04	35.07	35.26
G170.0	29.46	29.90	29.76	29.87	29.31	29.09	29.37
G175.0	20.11	21.49	19.71	21.48	20.10	22.22	20.29
G180.0	15.86	15.86	15.86	15.86	15.86	15.86	15.86

Luminaire

Code 15-9677-14-CL
 Name Plafon leds OPAL 14.5W

Measurem.

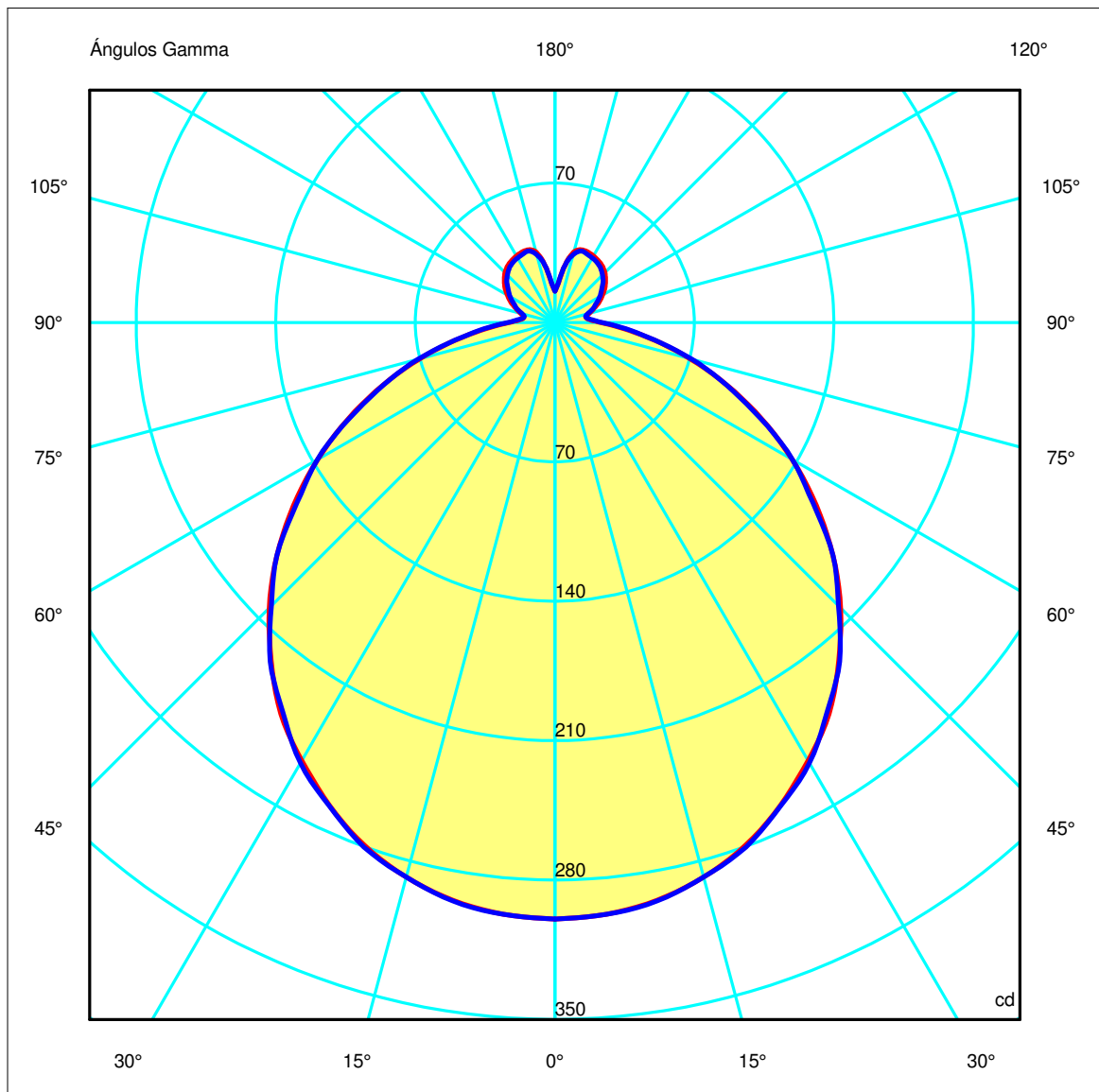
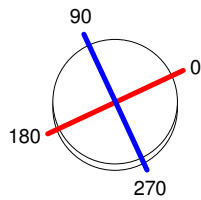
Code CL116A17F215G
 Name Plafon leds OPAL 14.5W

Luminaire Flux	1078.25 lm	Luminaire Power	14.56 W	Efficacy	74.06 lm/W	Efficiency	100.00%
Lamps Flux	1078.25 lm	Maximum value	299.49 cd	Position	C=0.00 G=0.00	CG	Double Symmetrical

Diam=300mm

Semiplanos C

180.0 ——— 0.0
 270.0 ——— 90.0



Luminaire

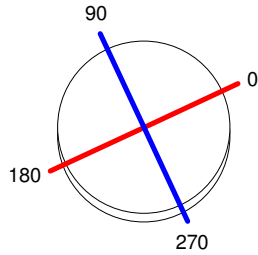
Code 15-9677-14-CL
 Name Plafon leds OPAL 14.5W

Measur.

Code CL116A17F215G
 Name Plafon leds OPAL 14.5W

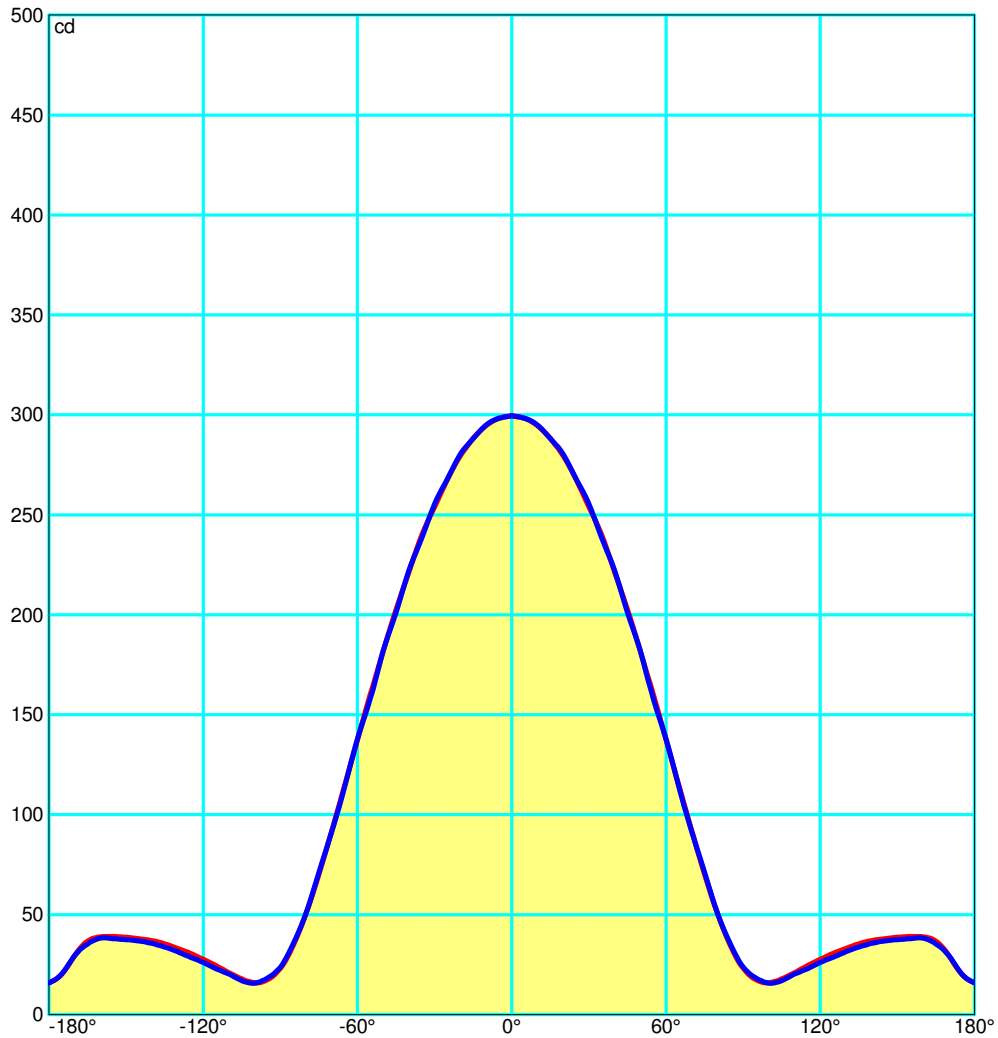
Luminaire Flux	1078.25 lm	Luminaire Power	14.56 W	Efficacy	74.06 lm/W	Efficiency	100.00%
Lamps Flux	1078.25 lm	Maximum value	299.49 cd	Position	C=0.00 G=0.00	CG	Double Symmetrical

Diam=300mm



Semiplanos C

180.0 ———— 0.0
 270.0 ———— 90.0



Luminaire

Code 15-9677-14-CL
Name Plafon leds OPAL 14.5W

Measurement

Code CL116A17F215G
Name Plafon leds OPAL 14.5W

Luminaire Flux	1078.25 lm	Luminaire Power	14.56 W	Efficacy	74.06 lm/W	Efficiency	100.00%
Lamps Flux	1078.25 lm	Maximum value	299.49 cd	Position	C=0.00 G=0.00	CG	Double Symmetrical

UGR
S = 0.250

Reflectancies										
Ceiling/Cavity	0.7	0.7	0.5	0.5	0.3	0.7	0.7	0.5	0.5	0.3
Walls	0.5	0.3	0.5	0.3	0.3	0.5	0.3	0.5	0.3	0.3
WorkingPlane	0.2	0.2	0.2	0.2	0.2	0.2	0.2	0.2	0.2	0.2
RoomDimensions	ViewedCrosswise					ViewedEndwise				
x=2H y=2H	16.5	17.7	17.0	18.2	18.7	16.5	17.7	17.0	18.2	18.7
x=2H y=3H	18.1	19.2	18.7	19.7	20.3	18.1	19.2	18.7	19.7	20.3
x=2H y=4H	18.8	19.8	19.4	20.3	21.0	18.8	19.8	19.4	20.4	21.0
x=2H y=6H	19.4	20.3	20.0	20.8	21.5	19.4	20.3	20.0	20.9	21.5
x=2H y=8H	19.6	20.5	20.2	21.1	21.7	19.6	20.5	20.2	21.1	21.7
x=2H y=12H	19.8	20.7	20.4	21.2	21.9	19.8	20.7	20.4	21.3	21.9
x=4H y=2H	17.2	18.2	17.8	18.8	19.4	17.2	18.2	17.8	18.8	19.4
x=4H y=3H	19.0	19.9	19.6	20.4	21.1	19.0	19.8	19.6	20.4	21.1
x=4H y=4H	19.8	20.6	20.4	21.2	21.9	19.8	20.6	20.4	21.2	21.9
x=4H y=6H	20.5	21.2	21.2	21.8	22.5	20.5	21.2	21.2	21.8	22.5
x=4H y=8H	20.8	21.4	21.5	22.1	22.8	20.8	21.4	21.5	22.1	22.8
x=4H y=12H	21.1	21.6	21.8	22.3	23.1	21.1	21.7	21.8	22.3	23.1
x=8H y=4H	20.2	20.8	20.8	21.4	22.2	20.2	20.8	20.8	21.4	22.2
x=8H y=6H	21.0	21.5	21.7	22.2	23.0	21.0	21.5	21.7	22.2	23.0
x=8H y=8H	21.4	21.9	22.1	22.6	23.4	21.5	21.9	22.2	22.6	23.4
x=8H y=12H	21.8	22.2	22.5	22.9	23.8	21.9	22.2	22.6	22.9	23.8
x=12H y=4H	20.2	20.7	20.9	21.4	22.2	20.2	20.7	20.9	21.4	22.2
x=12H y=6H	21.1	21.6	21.8	22.2	23.1	21.1	21.6	21.8	22.3	23.1
x=12H y=8H	21.6	22.0	22.3	22.7	23.5	21.6	22.0	22.3	22.7	23.5

Luminaire

 Code 15-9677-14-CL
 Name Plafon leds OPAL 14.5W

Measur.

 Code CL116A17F215G
 Name Plafon leds OPAL 14.5W

Luminaire Flux	1078.25 lm	Luminaire Power	14.56 W	Efficacy	74.06 lm/W	Efficiency	100.00%
Lamps Flux	1078.25 lm	Maximum value	299.49 cd	Position	C=0.00 G=0.00	CG	Double Symmetrical

Flujo Total=1078.25 Flujo Luminaria=1078.25

RI	0.60	0.80	1.00	1.25	1.50	2.00	2.50	3.00	4.00	5.00	10.00	20.00
DRR	0.29	0.37	0.44	0.51	0.56	0.65	0.71	0.75	0.80	0.83	0.91	0.95
RC	5	5	5	5	6	6	6	6	6	6	6	6

Flujo Zonal por 1000 Lúmenes

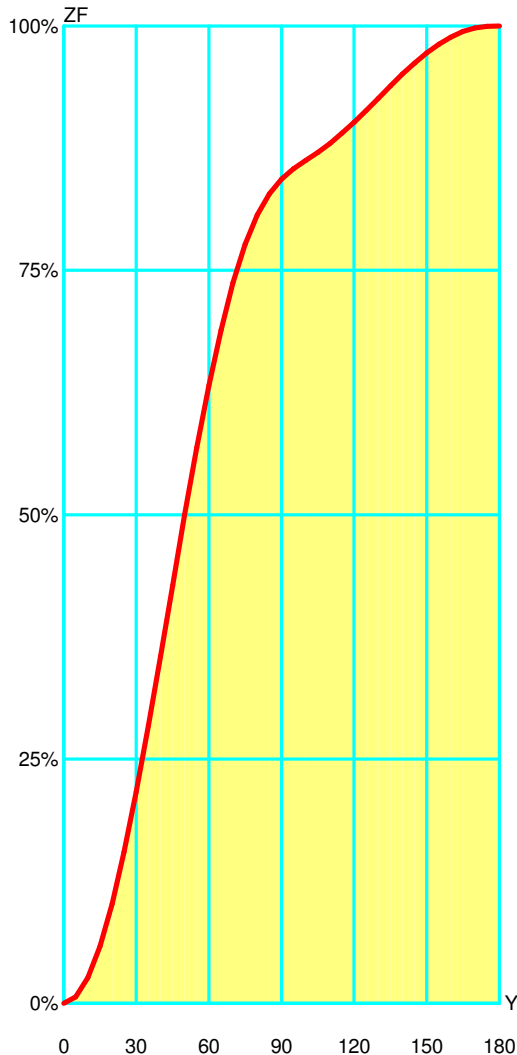
Y°	10	20	30	40	50	60	70	80	90	100	110	120	130	140	150	160	170	180
ZF(Y)	26	102	216	355	500	632	737	807	843	862	880	902	926	951	972	989	998	1000

Códigos de Flujo C.I.E.

44 75 92 84 100

C.I.E.	5/5/5/6/6/6/6/6/6/6
D DIN 5040	B31
F UTE	0.84 E + 0.16 T
B NBN	BZ 5
RN	15.65250 %
BLF	1.0

LOR	100.00000 %
ULOR	15.65250 %
DLOR	84.34750 %
UFF	15.65250 %
DFF	84.34750 %
FFR	18.55717 %



Gamma °	Flujo Zonal			
	Flujo	Suma lm	Flujo [%]	Suma [%]
0°	0.00	0.00	0.00%	0.00 %
5°	6.63	6.63	0.66%	0.66 %
10°	19.67	26.30	1.97%	2.63 %
15°	32.07	58.37	3.21%	5.84 %
20°	43.41	101.77	4.34%	10.18 %
25°	53.28	155.05	5.33%	15.51 %
30°	61.37	216.42	6.14%	21.64 %
35°	67.43	283.85	6.74%	28.39 %
40°	71.26	355.11	7.13%	35.51 %
45°	72.75	427.86	7.27%	42.79 %
50°	71.90	499.77	7.19%	49.98 %
55°	68.76	568.52	6.88%	56.85 %
60°	63.62	632.14	6.36%	63.21 %
65°	56.79	688.93	5.68%	68.89 %
70°	48.43	737.35	4.84%	73.74 %
75°	39.34	776.70	3.93%	77.67 %
80°	30.09	806.78	3.01%	80.68 %
85°	21.70	828.49	2.17%	82.85 %
90°	14.99	843.47	1.50%	84.35 %
95°	10.52	854.00	1.05%	85.40 %
100°	8.45	862.45	0.84%	86.24 %
105°	8.19	870.64	0.82%	87.06 %
110°	9.15	879.79	0.92%	87.98 %
115°	10.37	890.16	1.04%	89.02 %
120°	11.38	901.54	1.14%	90.15 %
125°	12.10	913.64	1.21%	91.36 %
130°	12.49	926.13	1.25%	92.61 %
135°	12.52	938.65	1.25%	93.87 %
140°	12.12	950.78	1.21%	95.08 %
145°	11.34	962.11	1.13%	96.21 %
150°	10.24	972.35	1.02%	97.24 %
155°	8.93	981.29	0.89%	98.13 %
160°	7.43	988.72	0.74%	98.87 %
165°	5.63	994.34	0.56%	99.43 %
170°	3.58	997.92	0.36%	99.79 %
175°	1.67	999.59	0.17%	99.96 %
180°	0.41	1000.00	0.04%	100.00 %

Luminaire

 Code 15-9677-14-CL
 Name Plafon leds OPAL 14.5W

Measurerm.

 Code CL116A17F215G
 Name Plafon leds OPAL 14.5W

Luminaire Flux	1078.25 lm	Luminaire Power	14.56 W	Efficacy	74.06 lm/W	Efficiency	100.00%
Lamps Flux	1078.25 lm	Maximum value	299.49 cd	Position	C=0.00 G=0.00	CG	Double Symmetrical

Utilizations CIE

Mounting	Direct	Normalization										Normalised					Suspension Ratio/3					Standard CIE Settings				
Ceiling																										
K	8873	8773	8871	8771	7773	7771	7753	7553	7751	7551	7731	7331	7711	7111	5551	5531	5331	5511	5111	3331	3311	1111	0000			
0.60	324	291	282	254	277	243	207	176	186	159	148	111	120	82	148	119	105	98	78	100	82	71	59			
0.80	366	336	303	279	319	267	244	214	208	183	167	132	135	99	171	139	125	114	94	119	98	86	70			
1.00	395	367	311	291	349	279	273	244	222	200	180	148	147	113	187	153	141	127	108	134	111	99	78			
1.25	420	395	315	298	376	287	301	274	233	213	192	164	159	127	201	167	155	140	122	148	125	112	87			
1.50	437	415	315	301	396	290	324	298	241	223	201	175	169	139	210	178	167	150	134	159	136	123	94			
2.00	460	442	310	300	421	290	357	334	248	234	213	191	183	158	222	192	183	167	152	175	153	141	104			
2.50	474	459	305	297	438	288	381	360	252	240	221	202	194	171	229	202	194	179	165	186	166	154	112			
3.00	484	471	301	294	450	286	398	380	254	244	226	210	202	182	233	209	202	188	176	194	175	165	117			
4.00	498	487	295	290	466	283	423	407	257	249	234	221	213	197	239	219	213	201	190	206	189	179	125			
5.00	506	497	290	286	476	280	439	426	258	252	239	228	221	207	243	225	220	209	200	213	199	189	130			
10.00	523	519	279	277	498	272	475	468	260	257	249	243	238	230	249	239	236	229	224	230	221	213	142			
20.00	531	529	271	271	508	267	496	492	260	259	254	251	248	243	252	246	245	240	238	239	234	227	149			
Wall																										
K	8873	8773	8871	8771	7773	7771	7753	7553	7751	7551	7731	7331	7711	7111	5551	5531	5331	5511	5111	3331	3311	1111	0000			
0.60	448	430	394	380	420	373	331	317	301	289	252	238	217	204	283	240	235	209	202	232	203	199	180			
0.80	510	492	437	424	478	414	389	373	345	333	296	281	259	244	324	281	275	249	241	270	241	235	213			
1.00	553	535	463	451	518	439	432	415	376	363	328	312	291	275	351	311	304	278	270	298	269	261	236			
1.25	592	576	484	474	555	461	474	456	403	391	357	341	321	305	377	338	332	307	298	323	296	286	258			
1.50	622	606	499	490	583	476	506	489	423	412	380	365	345	329	395	359	353	329	320	343	317	306	275			
2.00	656	642	511	504	616	489	548	532	444	435	407	393	376	359	416	385	379	358	349	366	342	330	295			
2.50	679	667	518	512	637	497	577	562	458	450	425	412	397	381	429	402	396	377	369	381	360	346	308			
3.00	694	683	522	517	652	501	598	584	468	460	438	426	412	398	438	413	408	391	383	392	373	357	317			
4.00	720	712	532	528	678	513	633	620	485	479	461	451	438	426	455	435	431	416	409	412	396	378	335			
5.00	740	733	542	539	697	523	658	647	500	494	478	469	458	447	469	451	448	435	428	428	413	394	349			
10.00	791	786	569	568	747	552	723	716	538	535	525	520	513	505	508	497	495	486	482	471	462	439	389			
20.00	823	821	589	588	779	572	766	762	565	563	557	554	550	545	534	528	527	522	519	501	495	470	418			
Working Pl.																										
K	8873	8773	8871	8771	7773	7771	7753	7553	7751	7551	7731	7331	7711	7111	5551	5531	5331	5511	5111	3331	3311	1111	0000			
0.60	543	524	506	491	512	481	403	389	388	376	326	312	280	268	367	312	307	271	265	303	264	260	243			
0.80	647	626	596	580	608	566	498	480	475	461	410	392	361	344	447	391	384	347	339	377	338	330	312			
1.00	729	707	664	649	685	632	577	557	546	530	481	461	431	411	513	458	450	414	404	440	401	391	371			
1.25	807	786	727	713	758	693	655	633	613	598	551	530	501	479	576	523	515	480	469	502	464	451	430			
1.50	865	845	773	760	813	738	715	693	664	649	605	584	557	534	624	574	566	533	521	549	513	497	476			
2.00	950	932	837	827	894	803	808	786	740	727	688	667	644	620	695	652	644	615	602	622	590	570	549			
2.50	1000	990	878	869	947	844	870	850	790	778	743	724	703	680	743	704	697	670	658	671	642	618	597			
3.00	1000	1000	906	898	985	873	916	897	825	814	783	766	747	725	776	742	735	711	700	706	681	654	632			
4.00	1000	1000	941	935	1000	908	976	960	869	860	834	819	803	784	818	790	784	764	753	751	729	698	676			
5.00	1000	1000	962	957	1000	929	1000	1000	897	889	867	854	839	822	845	820	815	798	788	779	760	726	704			
10.00	1000	1000	1000	1000	1000	974	1000	1000	956	952	938	930	921	911	902	888	885	874	868	841	830	789	766			
20.00	1000	1000	1000	1000	1000	999	1000	1000	989	986	979	975	969	963	934	926	925	919	915	877	871	826	802			

LM53 SHR C0-C180: 1.262 SHR C90-C270: 1.262 SHR Square: 1.383

Luminaire

 Code 15-9677-14-CL
 Name Plafon leds OPAL 14.5W

Measur.

 Code CL116A17F215G
 Name Plafon leds OPAL 14.5W

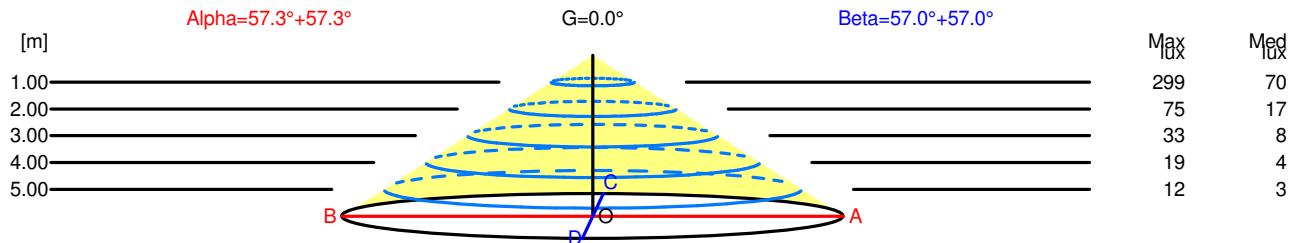
Luminaire Flux	1078.25 lm	Luminaire Power	14.56 W	Efficacy	74.06 lm/W	Efficiency	100.00%
Lamps Flux	1078.25 lm	Maximum value	299.49 cd	Position	C=0.00 G=0.00	CG	Double Symmetrical

Width at 50.00 % of Max Intensity

H[m]	1.00	2.00	3.00	4.00	5.00	H[m]	1.00	2.00	3.00	4.00	5.00
OA	1.56	3.11	4.67	6.23	7.79	OC	1.54	3.08	4.62	6.16	7.69
OB	1.56	3.11	4.67	6.23	7.79	OD	1.54	3.08	4.62	6.16	7.69

Luminous Intensities [cd]

	0	5	15	25	35	45	55	65	75	85
OA	299.49	298.24	288.28	267.62	239.80	202.73	160.12	114.44	70.18	34.64
OB	299.49	298.24	288.28	267.62	239.80	202.73	160.12	114.44	70.18	34.64
OC	299.49	298.25	288.24	267.86	238.32	201.22	158.01	113.75	71.09	35.47
OD	299.49	298.25	288.24	267.86	238.32	201.22	158.01	113.75	71.09	35.47



H[m]	D[m]	Max lux	Med lux	Alpha=57.3°+57.3°	G=0.0
1.00	3.11	299	70		
2.00	6.23	75	17		
3.00	9.34	33	8		
4.00	12.46	19	4		
5.00	15.57	12	3		

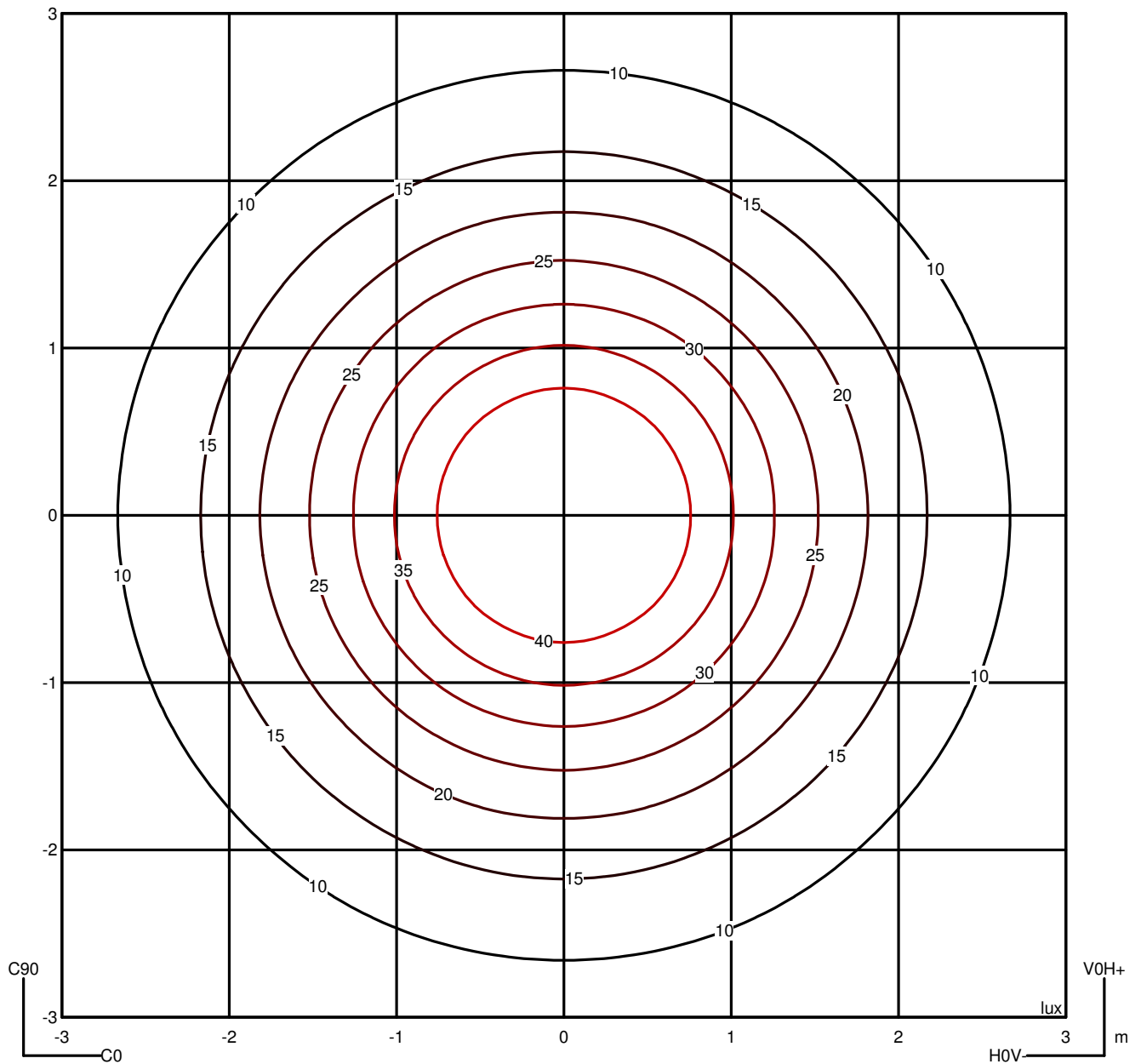
H[m]	D[m]	Max lux	Med lux	Beta=57.0°+57.0°	G=0.0
1.00	3.08	299	70		
2.00	6.16	75	17		
3.00	9.23	33	8		
4.00	12.31	19	4		
5.00	15.39	12	3		

Luminaire
 Code 15-9677-14-CL
 Name Plafon leds OPAL 14.5W
Measur.
 Code CL116A17F215G
 Name Plafon leds OPAL 14.5W

Luminaire Flux	1078.25 lm	Luminaire Power	14.56 W	Efficacy	74.06 lm/W	Efficiency	100.00%
Lamps Flux	1078.25 lm	Maximum value	299.49 cd	Position	C=0.00 G=0.00	CG	Double Symmetrical

Isolux (Floor)

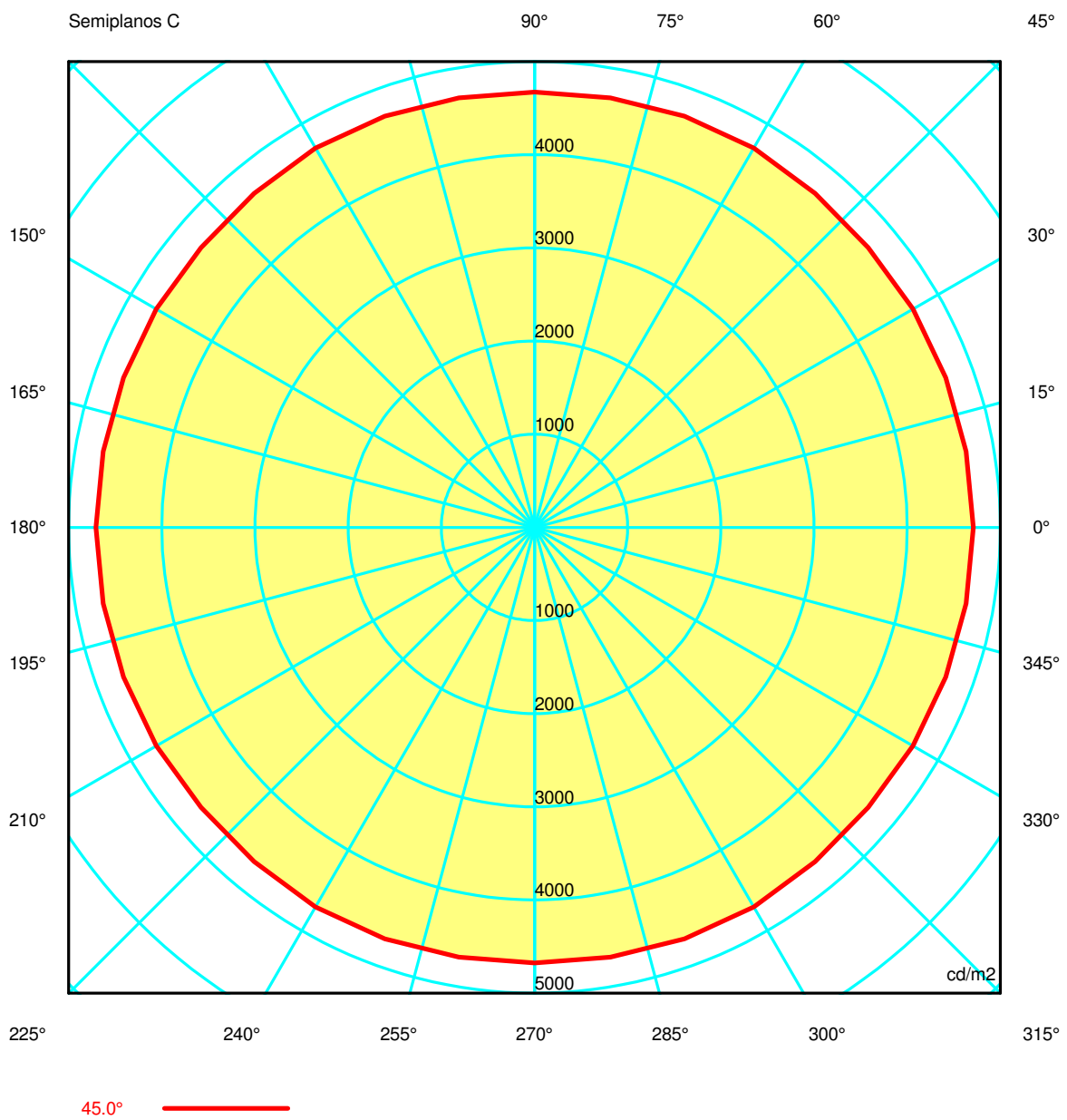
Luminaire position X=0.00m Y=0.00m Z=2.50m



Luminaire
 Code 15-9677-14-CL
 Name Plafon leds OPAL 14.5W
Measur.
 Code CL116A17F215G
 Name Plafon leds OPAL 14.5W

Luminaire Flux	1078.25 lm	Luminaire Power	14.56 W	Efficacy	74.06 lm/W	Efficiency	100.00%
Lamps Flux	1078.25 lm	Maximum value	299.49 cd	Position	C=0.00 G=0.00	CG	Double Symmetrical

Luminance



Luminaire

Code 15-9677-14-CL
Name Plafon leds OPAL 14.5W

Measurerm.

Code CL116A17F215G
Name Plafon leds OPAL 14.5W

Luminaire Flux	1078.25 lm	Luminaire Power	14.56 W	Efficacy	74.06 lm/W	Efficiency	100.00%
Lamps Flux	1078.25 lm	Maximum value	299.49 cd	Position	C=0.00 G=0.00	CG	Double Symmetrical

Luminance cd/m2 Table 1/3

	C 0.00	C 10.00	C 20.00	C 30.00	C 40.00	C 50.00	C 60.00	C 70.00	C 80.00	C 90.00	C 100.00	C 110.00	C 120.00
G 0.0	5640.84	5640.84	5640.84	5640.84	5640.84	5640.84	5640.84	5640.84	5640.84	5640.84	5640.84	5640.84	5640.84
G 5.0	5567.24	5566.61	5567.21	5568.19	5567.66	5567.59	5568.54	5568.93	5568.48	5567.49	5568.48	5568.93	5568.54
G 10.0	5491.13	5491.65	5492.81	5494.82	5496.74	5495.07	5490.85	5489.41	5492.37	5498.49	5492.37	5489.41	5490.85
G 15.0	5408.40	5409.71	5408.82	5406.53	5405.78	5406.45	5407.50	5407.98	5407.91	5407.53	5407.91	5407.98	5407.50
G 20.0	5314.98	5315.15	5316.21	5320.67	5328.55	5324.74	5314.27	5318.18	5326.31	5331.12	5326.31	5318.18	5314.27
G 25.0	5205.03	5215.25	5220.53	5217.65	5209.18	5212.80	5222.40	5213.82	5207.41	5209.73	5207.41	5213.82	5222.40
G 30.0	5091.48	5103.15	5106.39	5106.73	5115.16	5117.11	5109.45	5105.38	5109.58	5120.12	5109.58	5105.38	5109.45
G 35.0	4999.41	4986.58	4983.10	4982.59	4970.81	4969.66	4981.77	4986.19	4980.41	4968.63	4980.41	4986.19	4981.77
G 40.0	4846.80	4846.52	4844.92	4846.82	4859.98	4858.58	4845.57	4850.18	4859.00	4862.42	4859.00	4850.18	4845.57
G 45.0	4708.33	4700.67	4696.95	4690.24	4673.61	4680.87	4704.03	4698.89	4683.67	4673.30	4683.67	4698.89	4704.03
G 50.0	4540.75	4525.23	4524.61	4535.55	4539.73	4531.64	4521.32	4524.80	4533.66	4541.20	4533.66	4524.80	4521.32
G 55.0	4346.10	4330.68	4326.13	4319.89	4295.22	4307.56	4347.15	4343.57	4316.71	4288.87	4316.71	4343.57	4347.15
G 60.0	4124.57	4128.16	4129.54	4128.35	4126.44	4126.90	4129.43	4130.95	4132.26	4134.04	4132.26	4130.95	4129.43
G 65.0	3878.27	3890.39	3877.84	3857.30	3868.45	3880.91	3882.18	3887.38	3879.66	3854.82	3879.66	3887.38	3882.18
G 70.0	3606.24	3602.90	3602.69	3605.54	3607.88	3604.99	3601.17	3604.47	3601.77	3588.84	3601.77	3604.47	3601.17
G 75.0	3298.56	3292.33	3307.48	3332.06	3331.95	3316.05	3300.01	3294.78	3309.78	3341.32	3309.78	3294.78	3300.01
G 80.0	2997.78	2999.07	2999.45	3002.08	3009.34	3005.49	2996.81	3005.68	3013.44	3010.65	3013.44	3005.68	2996.81
G 85.0	2794.20	2822.47	2834.84	2846.63	2917.39	2898.64	2815.02	2846.38	2872.34	2861.37	2872.34	2846.38	2815.02
G 90.0	2963.89	3026.64	3034.72	3019.42	3015.72	3044.12	3073.54	3060.56	3046.99	3042.51	3046.99	3060.56	3073.54

Luminaire

Code 15-9677-14-CL
Name Plafon leds OPAL 14.5W

Measurerm.

Code CL116A17F215G
Name Plafon leds OPAL 14.5W

Luminaire Flux	1078.25 lm	Luminaire Power	14.56 W	Efficacy	74.06 lm/W	Efficiency	100.00%
Lamps Flux	1078.25 lm	Maximum value	299.49 cd	Position	C=0.00 G=0.00	CG	Double Symmetrical

Luminance cd/m2 Table 2/3

	C 130.00	C 140.00	C 150.00	C 160.00	C 170.00	C 180.00	C 190.00	C 200.00	C 210.00	C 220.00	C 230.00	C 240.00	C 250.00
G 0.0	5640.84	5640.84	5640.84	5640.84	5640.84	5640.84	5640.84	5640.84	5640.84	5640.84	5640.84	5640.84	5640.84
G 5.0	5567.59	5567.66	5568.19	5567.21	5566.61	5567.24	5566.61	5567.21	5568.19	5567.66	5567.59	5568.54	5568.93
G 10.0	5495.07	5496.74	5494.82	5492.81	5491.65	5491.13	5491.65	5492.81	5494.82	5496.74	5495.07	5490.85	5489.41
G 15.0	5406.45	5405.78	5406.53	5408.82	5409.71	5408.40	5409.71	5408.82	5406.53	5405.78	5406.45	5407.50	5407.98
G 20.0	5324.74	5328.55	5320.67	5316.21	5315.15	5314.98	5315.15	5316.21	5320.67	5328.55	5324.74	5314.27	5318.18
G 25.0	5212.80	5209.18	5217.65	5220.53	5215.25	5205.03	5215.25	5220.53	5217.65	5209.18	5212.80	5222.40	5213.82
G 30.0	5117.11	5115.16	5106.73	5106.39	5103.15	5091.48	5103.15	5106.39	5106.73	5115.16	5117.11	5109.45	5105.38
G 35.0	4969.66	4970.81	4982.59	4983.10	4986.58	4999.41	4986.58	4983.10	4982.59	4970.81	4969.66	4981.77	4986.19
G 40.0	4858.58	4859.98	4846.82	4844.92	4846.52	4846.80	4846.52	4844.92	4846.82	4859.98	4858.58	4845.57	4850.18
G 45.0	4680.87	4673.61	4690.24	4696.95	4700.67	4708.33	4700.67	4696.95	4690.24	4673.61	4680.87	4704.03	4698.89
G 50.0	4531.64	4539.73	4535.55	4524.61	4525.23	4540.75	4525.23	4524.61	4535.55	4539.73	4531.64	4521.32	4524.80
G 55.0	4307.56	4295.22	4319.89	4326.13	4330.68	4346.10	4330.68	4326.13	4319.89	4295.22	4307.56	4347.15	4343.57
G 60.0	4126.90	4126.44	4128.35	4129.54	4128.16	4124.57	4128.16	4129.54	4128.35	4126.44	4126.90	4129.43	4130.95
G 65.0	3880.91	3868.45	3857.30	3877.84	3890.39	3878.27	3890.39	3877.84	3857.30	3868.45	3880.91	3882.18	3887.38
G 70.0	3604.99	3607.88	3605.54	3602.69	3602.90	3606.24	3602.90	3602.69	3605.54	3607.88	3604.99	3601.17	3604.47
G 75.0	3316.05	3331.95	3332.06	3307.48	3292.33	3298.56	3292.33	3307.48	3332.06	3331.95	3316.05	3300.01	3294.78
G 80.0	3005.49	3009.34	3002.08	2999.45	2999.07	2997.78	2999.07	2999.45	3002.08	3009.34	3005.49	2996.81	3005.68
G 85.0	2898.64	2917.39	2846.63	2834.84	2822.47	2794.20	2822.47	2834.84	2846.63	2917.39	2898.64	2815.02	2846.38
G 90.0	3044.12	3015.72	3019.42	3034.72	3026.64	2963.89	3026.64	3034.72	3019.42	3015.72	3044.12	3073.54	3060.56

Luminaire

Code 15-9677-14-CL
Name Plafon leds OPAL 14.5W

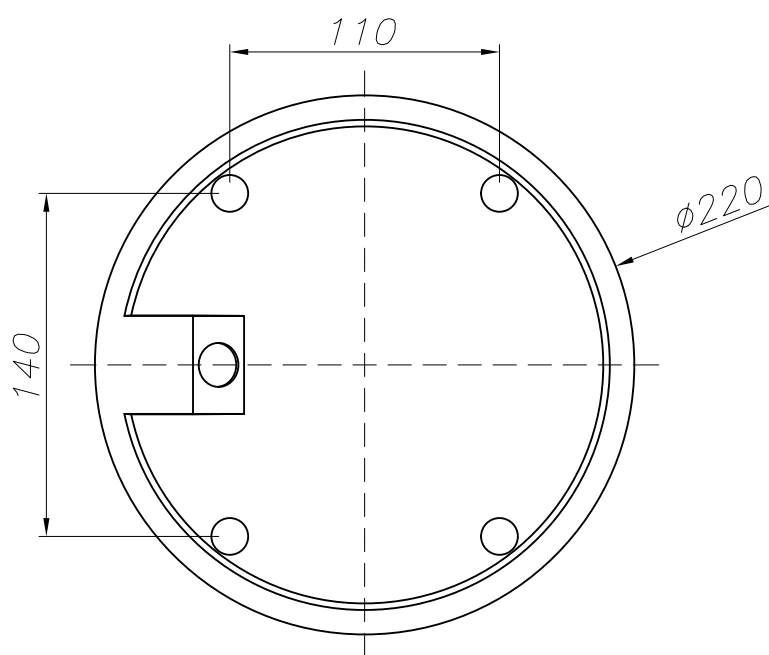
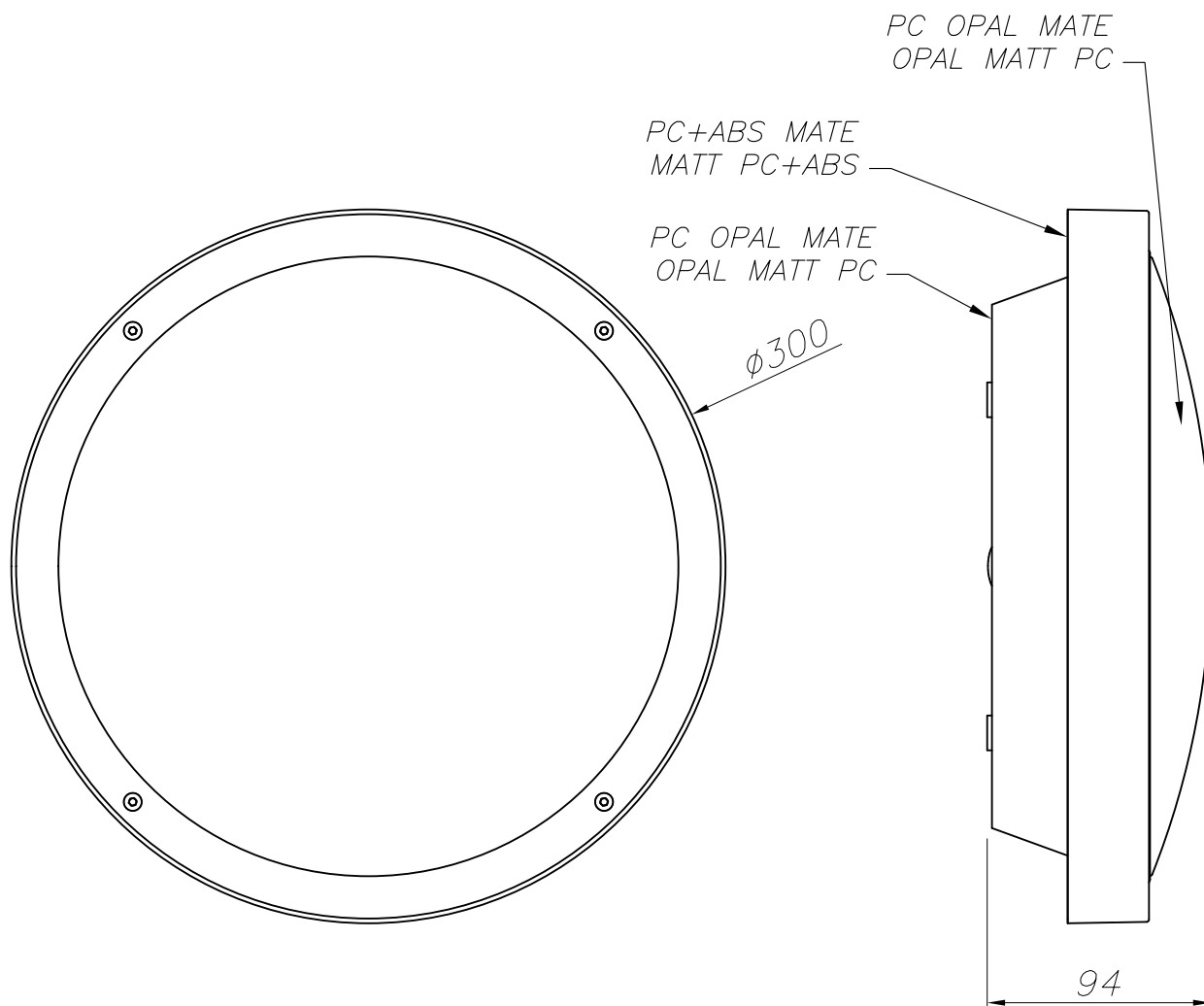
Measur.

Code CL116A17F215G
Name Plafon leds OPAL 14.5W

Luminaire Flux	1078.25 lm	Luminaire Power	14.56 W	Efficacy	74.06 lm/W	Efficiency	100.00%
Lamps Flux	1078.25 lm	Maximum value	299.49 cd	Position	C=0.00 G=0.00	CG	Double Symmetrical

Luminance cd/m2 Table 3/3

	C 260.00	C 270.00	C 280.00	C 290.00	C 300.00	C 310.00	C 320.00	C 330.00	C 340.00	C 350.00
G 0.0	5640.84	5640.84	5640.84	5640.84	5640.84	5640.84	5640.84	5640.84	5640.84	5640.84
G 5.0	5568.48	5567.49	5568.48	5568.93	5568.54	5567.59	5567.66	5568.19	5567.21	5566.61
G 10.0	5492.37	5498.49	5492.37	5489.41	5490.85	5495.07	5496.74	5494.82	5492.81	5491.65
G 15.0	5407.91	5407.53	5407.91	5407.98	5407.50	5406.45	5405.78	5406.53	5408.82	5409.71
G 20.0	5326.31	5331.12	5326.31	5318.18	5314.27	5324.74	5328.55	5320.67	5316.21	5315.15
G 25.0	5207.41	5209.73	5207.41	5213.82	5222.40	5212.80	5209.18	5217.65	5220.53	5215.25
G 30.0	5109.58	5120.12	5109.58	5105.38	5109.45	5117.11	5115.16	5106.73	5106.39	5103.15
G 35.0	4980.41	4968.63	4980.41	4986.19	4981.77	4969.66	4970.81	4982.59	4983.10	4986.58
G 40.0	4859.00	4862.42	4859.00	4850.18	4845.57	4858.58	4859.98	4846.82	4844.92	4846.52
G 45.0	4683.67	4673.30	4683.67	4698.89	4704.03	4680.87	4673.61	4690.24	4696.95	4700.67
G 50.0	4533.66	4541.20	4533.66	4524.80	4521.32	4531.64	4539.73	4535.55	4524.61	4525.23
G 55.0	4316.71	4288.87	4316.71	4343.57	4347.15	4307.56	4295.22	4319.89	4326.13	4330.68
G 60.0	4132.26	4134.04	4132.26	4130.95	4129.43	4126.90	4126.44	4128.35	4129.54	4128.16
G 65.0	3879.66	3854.82	3879.66	3887.38	3882.18	3880.91	3868.45	3857.30	3877.84	3890.39
G 70.0	3601.77	3588.84	3601.77	3604.47	3601.17	3604.99	3607.88	3605.54	3602.69	3602.90
G 75.0	3309.78	3341.32	3309.78	3294.78	3300.01	3316.05	3331.95	3332.06	3307.48	3292.33
G 80.0	3013.44	3010.65	3013.44	3005.68	2996.81	3005.49	3009.34	3002.08	2999.45	2999.07
G 85.0	2872.34	2861.37	2872.34	2846.38	2815.02	2898.64	2917.39	2846.63	2834.84	2822.47
G 90.0	3046.99	3042.51	3046.99	3060.56	3073.54	3044.12	3015.72	3019.42	3034.72	3026.64



PLANTILLA DE INSTALACIÓN
INSTALLATION TEMPLATE

