

CUBIK Led Beacon

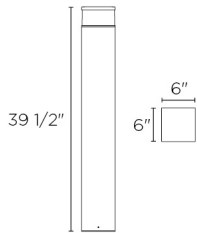
Designer: -



Description

Bollard for outdoor use.

For downlighting. Suitable for installation in marine environments. Structure material: Aluminium. Structure finish: Urban grey. Blades finishes: NA. Diffuser material: Polycarbonate. Diffuser finish: Matt. UV protection. Warranty: 5 Years.



Finish

Urban grey
Matt
NA

Material

Aluminium
Polycarbonate



TECHNICAL CHARACTERISTICS

Light source

Light source: LED OSRAM
Output (W): 14.4W
Total power consumption (W): 17 W
Color temperature: LED warm-white 3000K
CRI: 82
Photobiological risk: RG1
Real Lumen: 833
Qty Leds: 21
Lm/Real W: 49
Life Time: 50.000h L80B20
Bin / Grup: 7S o 7T
MacAdam steps: 3
UGR: 13.4

GEAR

Brand: FULHAM
Gear included: Yes, electronic
Voltage / Frequency: 120-277 VAC
Power Factor: 0.99
Flickering: 8%

Luminaire

Double cable exit: No
Drainage: No
Recessed: No
Seaside: Yes
Uv Protection: Yes
Warranty: 5 Years

Logistics

Energy Efficiency: NA
EAN Code: 8435526853922
Net Weight (Lb): 13.15
Weight in Kg (packaged): 6.638
Packing: 165 x 165 x 1005
Masterbox: 2

The photograph may not match the reference exactly. Please read the product description to identify the finish.

LEDS C4

Luminaire

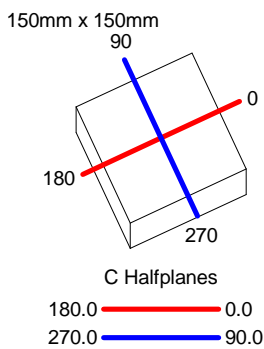
Code 55-6583-Z5-CLU
Name Sobremuro CUBIK 15W

Measur.

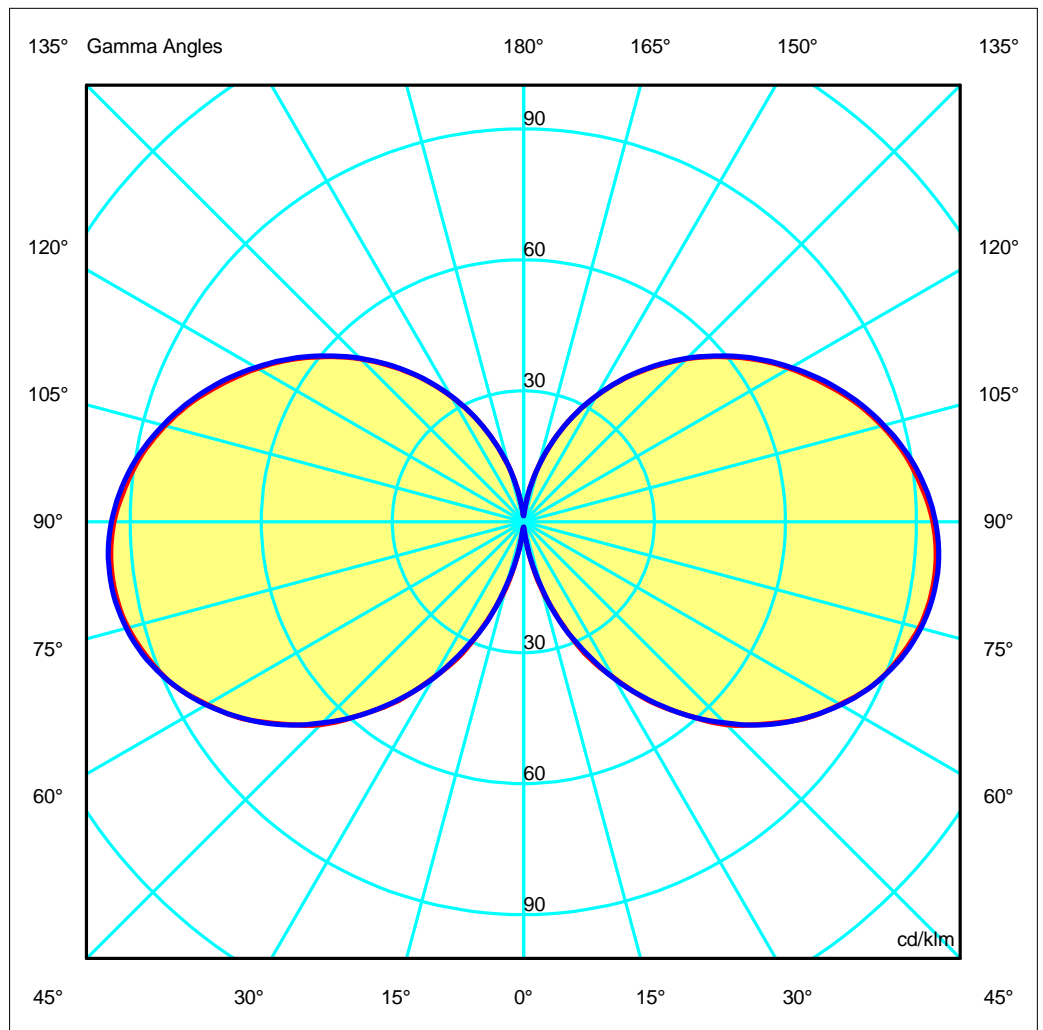
Code 55-9939-Z5-CL
Name Sobremuro CUBIK 15W

Luminaire Flux	832.94 lm	Luminaire Power	16.24 W	Efficacy	51.29 lm/W	Efficiency	100.00%
Lamps Flux	832.94 lm	Maximum value	120.80 cd/klm	Position	C=45.00 G=85.00	CG	Asymmetrical
Rectangular Luminaire		Length	150 mm	Width	150 mm	Height	1000 mm
Rectangular Luminous Area		Length	150 mm	Width	150 mm	Height	68 mm
Horizontal Luminous Area		0.022500 m2		Emitting area on Plane 180°		0.010200 m2	
Emitting area on Plane 0°		0.010200 m2		Emitting area on Plane 270°		0.010200 m2	
Emitting area on Plane 90°		0.010200 m2		Glare area at 76°		0.015340 m2	
Coordinate system		CG		Symmetry Type		Asymmetrical	
Date		09-05-2018		Maximum Gamma Angle		180	
Measurement Distance		0.00		Measurement Flux		832.94 lm	
Operator		LEDS		Source Voltage [V]			
Temperature		25.00 °C		Source current [A]			
Humidity		60.00 %		Photocell			
Notes							

Line	Code	Luminaire Lamps	Flux [lm]	Pow. [W]	Q.ty
	55-6583-Z5-CLU	Name 55-6583-Z5-CLU	832.94	16.24	1
C.I.E.	12 37 68 53 100	D DIN 5040	C11		
F UTE	--	B NBN	BZ 10		



ULOR 47.11 %
DLOR 52.89 %
RN 47.11 %



LEDS C4[®]

Luminaire

Code 55-6583-Z5-CLU
 Name Sobremuro CUBIK 15W

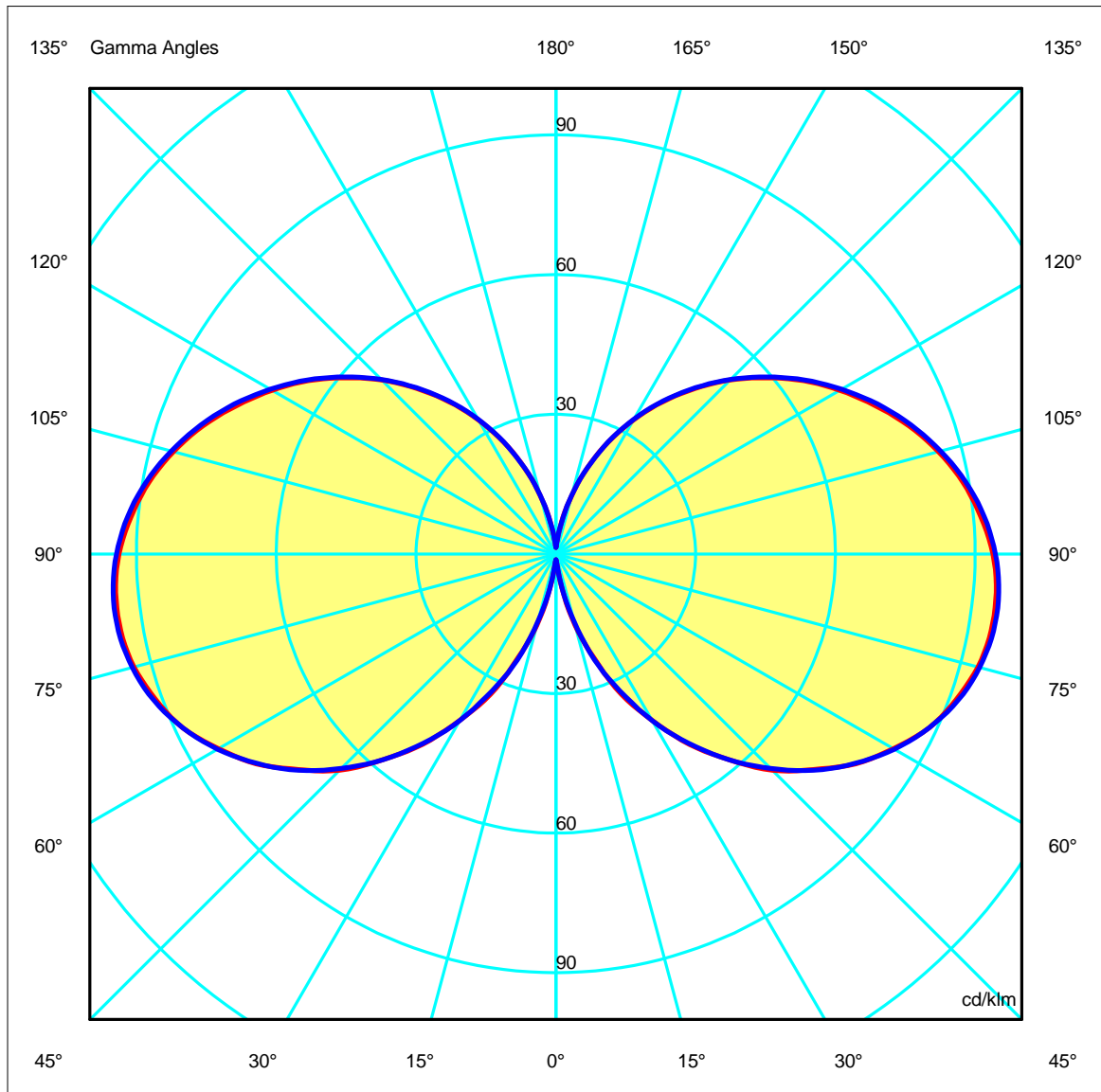
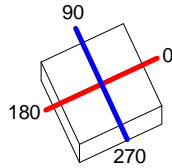
Measur.

Code 55-9939-Z5-CL
 Name Sobremuro CUBIK 15W

Luminaire Flux	832.94 lm	Luminaire Power	16.24 W	Efficacy	51.29 lm/W	Efficiency	100.00%
Lamps Flux	832.94 lm	Maximum value	120.80 cd/klm	Position	C=45.00 G=85.00	CG	Asymmetrical

150mm x 150mm

C Halfplanes



Luminaire

Code 55-6583-Z5-CLU
Name Sobremuro CUBIK 15W

Measurem.

Code 55-9939-Z5-CL
Name Sobremuro CUBIK 15W

Luminaire Flux	832.94 lm	Luminaire Power	16.24 W	Efficacy	51.29 lm/W	Efficiency	100.00%
Lamps Flux	832.94 lm	Maximum value	120.80 cd/klm	Position	C=45.00 G=85.00	CG	Asymmetrical

Left beam angle not found, gamma = -83

Left beam angle not found, gamma = -83

Left beam angle not found, gamma = -83

Luminaire

Code 55-6583-Z5-CLU
Name Sobremuro CUBIK 15W

Measurement

Code 55-9939-Z5-CL
Name Sobremuro CUBIK 15W

Luminaire Flux	832.94 lm	Luminaire Power	16.24 W	Efficacy	51.29 lm/W	Efficiency	100.00%
Lamps Flux	832.94 lm	Maximum value	120.80 cd/klm	Position	C=45.00 G=85.00	CG	Asymmetrical

UGR
S = 0.250

Reflectancies										
Ceiling/Cavity	0.7	0.7	0.5	0.5	0.3	0.7	0.7	0.5	0.5	0.3
Walls	0.5	0.3	0.5	0.3	0.3	0.5	0.3	0.5	0.3	0.3
WorkingPlane	0.2	0.2	0.2	0.2	0.2	0.2	0.2	0.2	0.2	0.2
RoomDimensions	Viewed Crosswise					Viewed Endwise				
x=2H y=2H	13.4	14.4	14.2	15.3	16.5	13.4	14.4	14.2	15.3	16.5
x=2H y=3H	16.5	17.5	17.4	18.4	19.6	16.5	17.5	17.4	18.4	19.6
x=2H y=4H	18.1	19.0	19.0	20.0	21.2	18.2	19.1	19.1	20.0	21.2
x=2H y=6H	19.7	20.6	20.7	21.5	22.8	19.8	20.6	20.7	21.6	22.8
x=2H y=8H	20.5	21.4	21.5	22.3	23.5	20.6	21.4	21.5	22.3	23.6
x=2H y=12H	21.3	22.1	22.2	23.1	24.3	21.4	22.1	22.3	23.1	24.3
x=4H y=2H	14.8	15.7	15.7	16.6	17.8	14.8	15.7	15.7	16.6	17.8
x=4H y=3H	18.0	18.8	18.9	19.7	21.0	18.0	18.8	18.9	19.7	21.0
x=4H y=4H	19.7	20.4	20.6	21.4	22.6	19.7	20.4	20.6	21.4	22.6
x=4H y=6H	21.4	22.0	22.3	23.0	24.3	21.4	22.0	22.4	23.0	24.3
x=4H y=8H	22.2	22.8	23.2	23.8	25.1	22.2	22.8	23.2	23.8	25.1
x=4H y=12H	23.0	23.6	24.0	24.6	25.9	23.1	23.6	24.0	24.6	25.9
x=8H y=4H	20.5	21.1	21.5	22.1	23.4	20.5	21.1	21.5	22.1	23.4
x=8H y=6H	22.4	22.9	23.4	24.0	25.3	22.5	23.0	23.4	24.0	25.3
x=8H y=8H	23.4	23.9	24.4	24.9	26.2	23.5	23.9	24.5	24.9	26.2
x=8H y=12H	24.4	24.8	25.4	25.8	27.2	24.4	24.8	25.4	25.9	27.2
x=12H y=4H	20.7	21.2	21.6	22.2	23.5	20.7	21.2	21.7	22.2	23.5
x=12H y=6H	22.7	23.2	23.7	24.2	25.5	22.7	23.2	23.7	24.2	25.5
x=12H y=8H	23.8	24.2	24.8	25.2	26.6	23.8	24.2	24.8	25.3	26.6

LEDS C4[®]

Luminaire

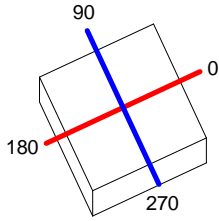
Code 55-6583-Z5-CLU
Name Sobremuro CUBIK 15W

Measur.

Code 55-9939-Z5-CL
Name Sobremuro CUBIK 15W

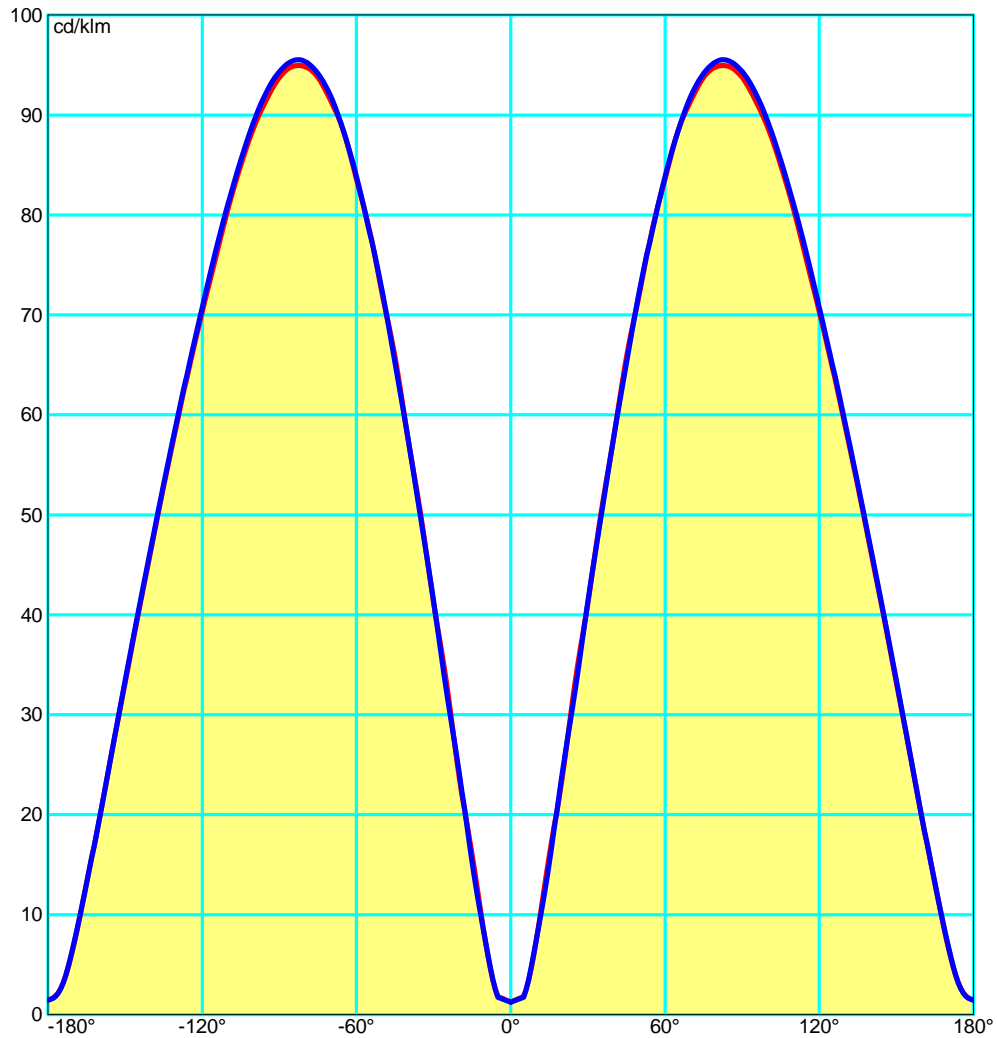
Luminaire Flux	832.94 lm	Luminaire Power	16.24 W	Efficacy	51.29 lm/W	Efficiency	100.00%
Lamps Flux	832.94 lm	Maximum value	120.80 cd/klm	Position	C=45.00 G=85.00	CG	Asymmetrical

150mm x 150mm



C Halfplanes

180.0 ———— 0.0
270.0 ———— 90.0

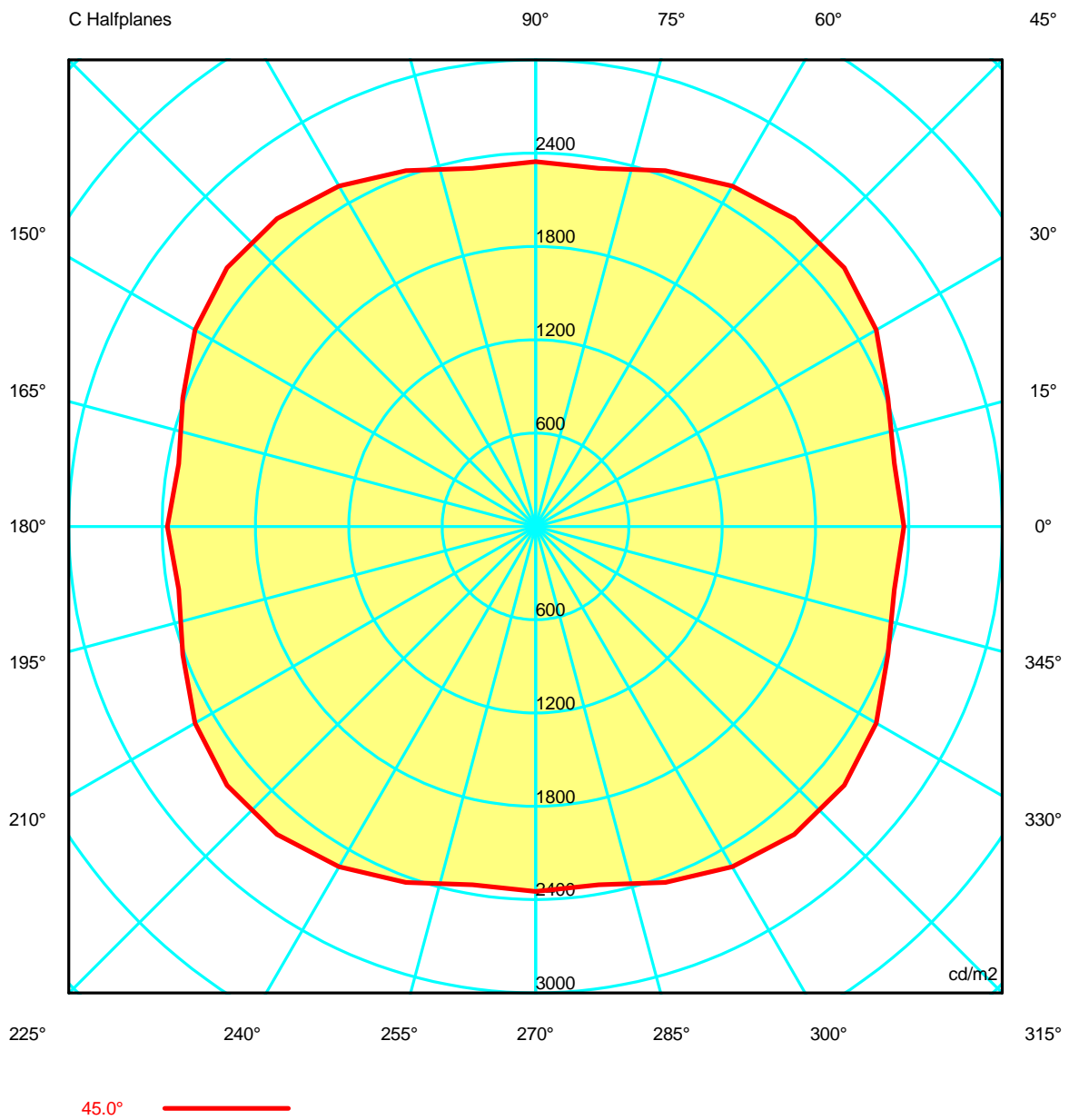


LEDS C4[®]

Luminaire
 Code 55-6583-Z5-CLU
 Name Sobremuro CUBIK 15W
Measur.
 Code 55-9939-Z5-CL
 Name Sobremuro CUBIK 15W

Luminaire Flux	832.94 lm	Luminaire Power	16.24 W	Efficacy	51.29 lm/W	Efficiency	100.00%
Lamps Flux	832.94 lm	Maximum value	120.80 cd/klm	Position	C=45.00 G=85.00	CG	Asymmetrical

Luminance



Luminaire

Code 55-6583-Z5-CLU
Name Sobremuro CUBIK 15W

Measuram.

Code 55-9939-Z5-CL
Name Sobremuro CUBIK 15W

Luminaire Flux	832.94 lm	Luminaire Power	16.24 W	Efficacy	51.29 lm/W	Efficiency	100.00%
Lamps Flux	832.94 lm	Maximum value	120.80 cd/klm	Position	C=45.00 G=85.00	CG	Asymmetrical

Luminance cd/m2 Table 1/3

	C 0.00	C 10.00	C 20.00	C 30.00	C 40.00	C 50.00	C 60.00	C 70.00	C 80.00	C 90.00	C 100.00	C 110.00	C 120.00
G 0.0	46.17	46.17	46.17	46.17	46.17	46.17	46.17	46.17	46.17	46.17	46.17	46.17	46.17
G 5.0	64.27	80.42	71.72	53.30	60.76	59.23	51.70	74.58	77.32	61.51	77.32	74.57	51.70
G 10.0	260.56	255.26	241.43	226.11	225.83	232.73	237.02	239.14	247.94	261.38	247.94	239.14	237.02
G 15.0	541.84	506.53	490.41	498.05	517.29	513.57	494.44	501.73	509.65	514.96	509.64	501.73	494.44
G 20.0	802.94	777.27	783.42	814.72	840.32	855.82	842.17	785.67	778.77	818.88	778.76	785.68	842.17
G 25.0	1122.05	1096.87	1101.77	1152.38	1187.89	1180.97	1143.99	1113.70	1089.93	1092.65	1089.92	1113.71	1143.99
G 30.0	1396.61	1382.08	1416.16	1484.30	1534.08	1550.94	1515.83	1422.12	1371.48	1401.61	1371.49	1422.10	1515.83
G 35.0	1714.51	1698.91	1744.05	1831.08	1891.38	1888.98	1832.31	1761.46	1698.69	1702.29	1698.71	1761.43	1832.31
G 40.0	2018.15	2004.89	2069.64	2177.89	2237.20	2249.22	2203.75	2084.12	1993.47	2019.21	1993.49	2084.07	2203.75
G 45.0	2366.96	2341.50	2408.63	2527.54	2589.64	2584.55	2527.20	2435.90	2338.85	2346.42	2338.88	2435.84	2527.20
G 50.0	2693.04	2688.61	2764.27	2880.80	2946.31	2959.05	2909.10	2781.11	2666.99	2703.28	2667.04	2781.00	2909.10
G 55.0	3077.66	3057.38	3129.57	3247.36	3307.19	3306.37	3254.44	3154.83	3039.54	3071.91	3039.60	3154.70	3254.44
G 60.0	3468.28	3439.04	3511.76	3632.57	3693.21	3703.82	3660.20	3537.76	3412.34	3478.77	3412.42	3537.60	3660.20
G 65.0	3925.56	3860.01	3918.41	4037.24	4093.47	4091.76	4045.30	3951.58	3838.02	3924.63	3838.10	3951.41	4045.30
G 70.0	4406.15	4317.20	4364.66	4475.81	4525.26	4530.74	4497.43	4400.47	4290.89	4427.85	4290.99	4400.25	4497.43
G 75.0	4982.13	4842.66	4862.92	4958.36	4996.78	4995.80	4969.27	4900.37	4811.28	5001.84	4811.40	4900.11	4969.27
G 80.0	5661.57	5443.28	5425.57	5504.72	5534.33	5534.62	5520.00	5470.02	5409.98	5692.19	5410.13	5469.72	5520.00
G 85.0	6516.63	6172.17	6094.76	6148.55	6163.09	6161.49	6162.53	6146.06	6136.44	6555.64	6136.61	6145.72	6162.53
G 90.0	7656.84	7104.64	6927.05	6935.38	6927.22	6922.04	6945.19	6985.49	7063.71	7703.15	7063.91	6985.10	6945.19

Luminaire

Code 55-6583-Z5-CLU
Name Sobremuro CUBIK 15W

Measurerm.

Code 55-9939-Z5-CL
Name Sobremuro CUBIK 15W

Luminaire Flux	832.94 lm	Luminaire Power	16.24 W	Efficacy	51.29 lm/W	Efficiency	100.00%
Lamps Flux	832.94 lm	Maximum value	120.80 cd/klm	Position	C=45.00 G=85.00	CG	Asymmetrical

Luminance cd/m2 Table 2/3

	C 130.00	C 140.00	C 150.00	C 160.00	C 170.00	C 180.00	C 190.00	C 200.00	C 210.00	C 220.00	C 230.00	C 240.00	C 250.00
G 0.0	46.17	46.17	46.17	46.17	46.17	46.17	46.17	46.17	46.17	46.17	46.17	46.17	46.17
G 5.0	59.33	60.50	53.30	73.13	76.84	64.27	76.84	73.13	53.30	60.50	59.33	51.70	74.57
G 10.0	232.72	225.83	226.11	241.39	255.36	260.56	255.36	241.39	226.11	225.83	232.72	237.02	239.14
G 15.0	513.43	517.64	498.05	488.48	511.48	541.84	511.48	488.48	498.05	517.64	513.43	494.44	501.73
G 20.0	855.76	840.47	814.72	782.57	783.32	802.94	783.32	782.57	814.72	840.47	855.76	842.17	785.68
G 25.0	1180.92	1188.02	1152.38	1101.03	1089.80	1122.05	1089.80	1101.03	1152.38	1188.02	1180.92	1143.99	1113.71
G 30.0	1551.04	1533.82	1484.30	1417.67	1378.15	1396.61	1378.15	1417.67	1484.30	1533.82	1551.04	1515.83	1422.10
G 35.0	1889.16	1890.93	1831.08	1746.61	1692.25	1714.51	1692.25	1746.61	1831.08	1890.93	1889.16	1832.31	1761.43
G 40.0	2249.50	2236.51	2177.89	2073.58	1994.59	2018.15	1994.59	2073.58	2177.89	2236.51	2249.50	2203.75	2084.07
G 45.0	2584.89	2588.80	2527.54	2413.43	2328.92	2366.96	2328.92	2413.43	2527.54	2588.80	2584.89	2527.20	2435.84
G 50.0	2959.62	2944.86	2880.80	2772.58	2666.74	2693.04	2666.74	2772.58	2880.80	2944.86	2959.62	2909.10	2781.00
G 55.0	3307.04	3305.50	3247.36	3139.28	3031.73	3077.66	3031.73	3139.28	3247.36	3305.50	3307.04	3254.44	3154.70
G 60.0	3704.64	3691.13	3632.57	3523.78	3407.13	3468.28	3407.13	3523.78	3632.57	3691.13	3704.64	3660.20	3537.60
G 65.0	4092.67	4091.18	4037.24	3931.70	3824.52	3925.56	3824.52	3931.70	4037.24	4091.18	4092.67	4045.30	3951.41
G 70.0	4531.85	4522.46	4475.81	4380.99	4273.34	4406.15	4273.34	4380.99	4475.81	4522.46	4531.85	4497.43	4400.25
G 75.0	4997.08	4993.54	4958.36	4882.00	4791.06	4982.13	4791.06	4882.00	4958.36	4993.54	4997.08	4969.27	4900.11
G 80.0	5536.09	5530.62	5504.72	5447.56	5383.27	5661.57	5383.27	5447.56	5504.72	5530.62	5536.09	5520.00	5469.72
G 85.0	6163.16	6158.87	6148.55	6120.05	6102.42	6516.63	6102.42	6120.05	6148.55	6158.87	6163.16	6162.53	6145.72
G 90.0	6923.97	6922.35	6935.38	6956.54	7022.19	7656.84	7022.19	6956.54	6935.38	6922.35	6923.97	6945.19	6985.10

Luminaire

Code 55-6583-Z5-CLU
Name Sobremuro CUBIK 15W

Measur.

Code 55-9939-Z5-CL
Name Sobremuro CUBIK 15W

Luminaire Flux	832.94 lm	Luminaire Power	16.24 W	Efficacy	51.29 lm/W	Efficiency	100.00%
Lamps Flux	832.94 lm	Maximum value	120.80 cd/klm	Position	C=45.00 G=85.00	CG	Asymmetrical

Luminance cd/m2 Table 3/3

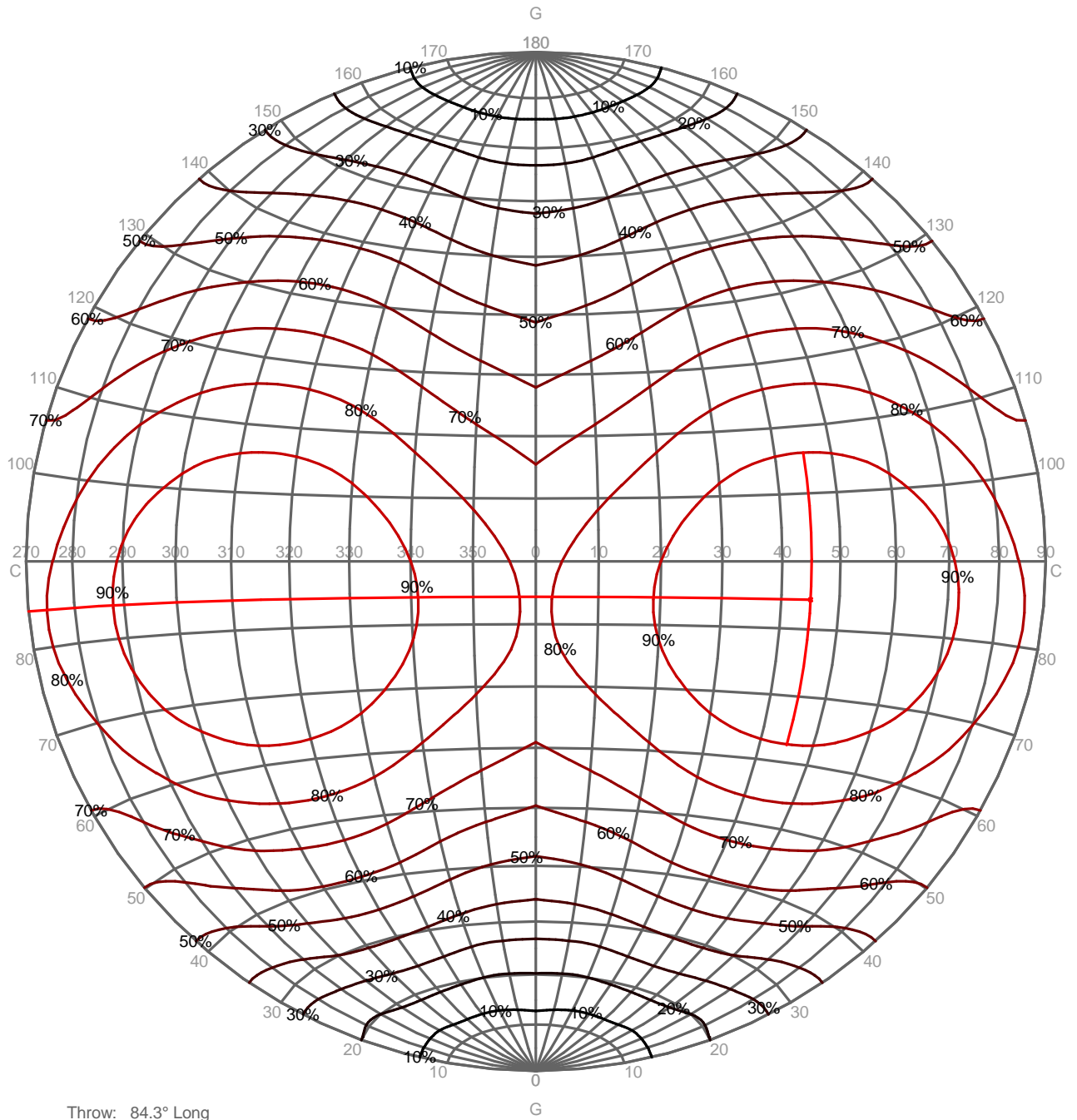
	C 260.00	C 270.00	C 280.00	C 290.00	C 300.00	C 310.00	C 320.00	C 330.00	C 340.00	C 350.00
G 0.0	46.17	46.17	46.17	46.17	46.17	46.17	46.17	46.17	46.17	46.17
G 5.0	77.32	61.51	77.32	74.58	51.70	59.23	60.76	53.30	71.72	80.42
G 10.0	247.94	261.38	247.94	239.14	237.02	232.73	225.83	226.11	241.43	255.26
G 15.0	509.64	514.96	509.65	501.73	494.44	513.57	517.29	498.05	490.41	506.53
G 20.0	778.76	818.88	778.77	785.67	842.17	855.82	840.32	814.72	783.42	777.27
G 25.0	1089.92	1092.65	1089.93	1113.70	1143.99	1180.97	1187.89	1152.38	1101.77	1096.87
G 30.0	1371.49	1401.61	1371.48	1422.12	1515.83	1550.94	1534.08	1484.30	1416.16	1382.08
G 35.0	1698.71	1702.29	1698.69	1761.46	1832.31	1888.98	1891.38	1831.08	1744.05	1698.91
G 40.0	1993.49	2019.21	1993.47	2084.12	2203.75	2249.22	2237.20	2177.89	2069.64	2004.89
G 45.0	2338.88	2346.42	2338.85	2435.90	2527.20	2584.55	2589.64	2527.54	2408.63	2341.50
G 50.0	2667.04	2703.28	2666.99	2781.11	2909.10	2959.05	2946.31	2880.80	2764.27	2688.61
G 55.0	3039.60	3071.91	3039.54	3154.83	3254.44	3306.37	3307.19	3247.36	3129.57	3057.38
G 60.0	3412.42	3478.77	3412.34	3537.76	3660.20	3703.82	3693.21	3632.57	3511.76	3439.04
G 65.0	3838.10	3924.63	3838.02	3951.58	4045.30	4091.76	4093.47	4037.24	3918.41	3860.01
G 70.0	4290.99	4427.85	4290.89	4400.47	4497.43	4530.74	4525.26	4475.81	4364.66	4317.20
G 75.0	4811.40	5001.84	4811.28	4900.37	4969.27	4995.80	4996.78	4958.36	4862.92	4842.66
G 80.0	5410.13	5692.19	5409.98	5470.02	5520.00	5534.62	5534.33	5504.72	5425.57	5443.28
G 85.0	6136.61	6555.64	6136.44	6146.06	6162.53	6161.49	6163.09	6148.55	6094.76	6172.17
G 90.0	7063.91	7703.15	7063.71	6985.49	6945.19	6922.04	6927.22	6935.38	6927.05	7104.64

Luminaire
 Code 55-6583-Z5-CLU
 Name Sobremuro CUBIK 15W
Measur.
 Code 55-9939-Z5-CL
 Name Sobremuro CUBIK 15W

Luminaire Flux	832.94 lm	Luminaire Power	16.24 W	Efficacy	51.29 lm/W	Efficiency	100.00%
Lamps Flux	832.94 lm	Maximum value	120.80 cd/klm	Position	C=45.00 G=85.00	CG	Asymmetrical

PERCENTAGE ISOCANDLES

Projection: Equal Area SLI 5.3 Tight Tilting Angle:0°



LEDS C4[®]

Luminaire

Code 55-6583-Z5-CLU
Name Sobremuro CUBIK 15W

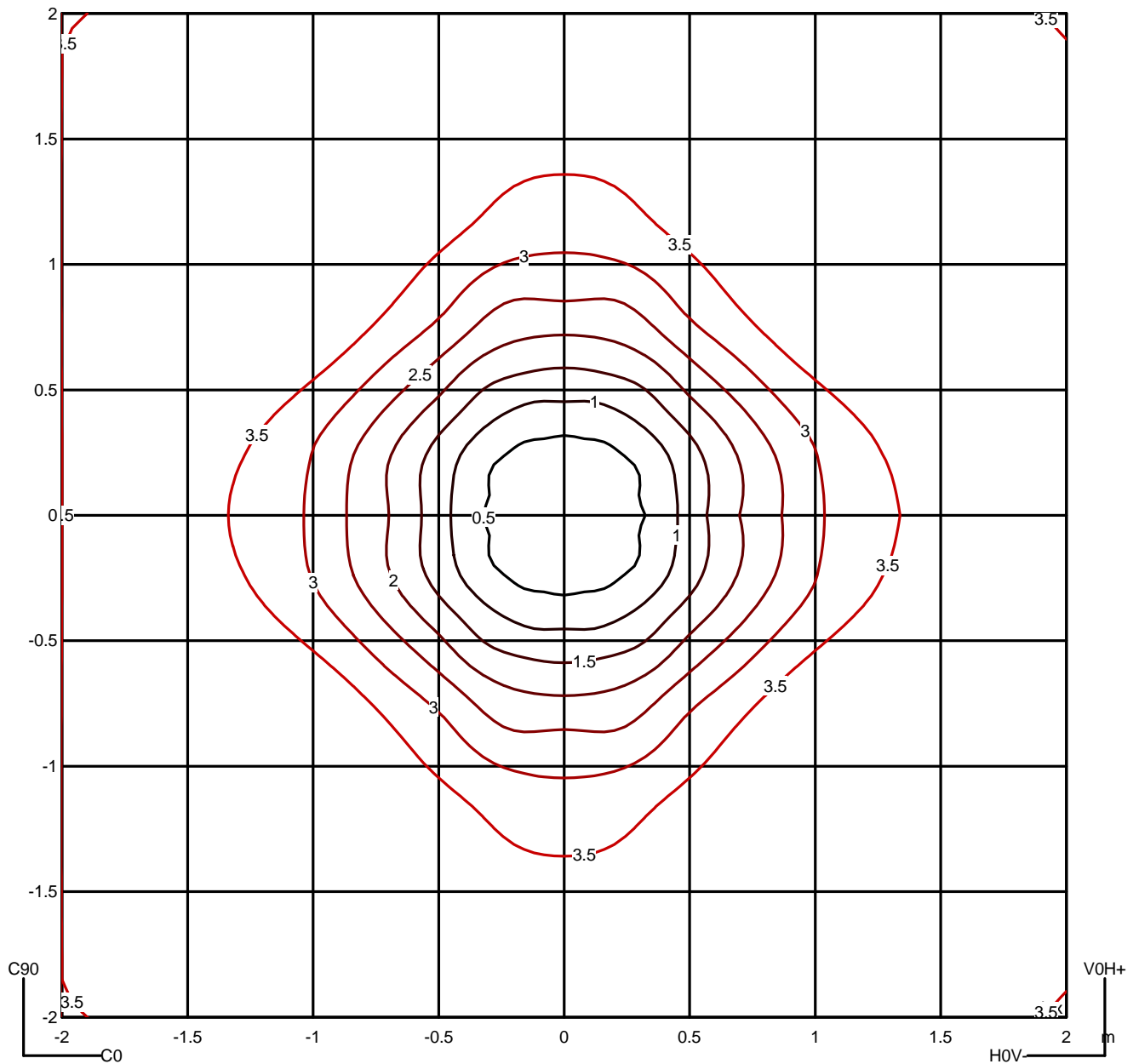
Measur.

Code 55-9939-Z5-CL
Name Sobremuro CUBIK 15W

Luminaire Flux	832.94 lm	Luminaire Power	16.24 W	Efficacy	51.29 lm/W	Efficiency	100.00%
Lamps Flux	832.94 lm	Maximum value	120.80 cd/klm	Position	C=45.00 G=85.00	CG	Asymmetrical

Isolux (Floor)

Luminaire position X=0.00m Y=0.00m Z=2.50m



LEDS C4

Luminaire

Code 55-6583-Z5-CLU
Name Sobremuro CUBIK 15W

Measur.

Code 55-9939-Z5-CL
Name Sobremuro CUBIK 15W

Luminaire Flux	832.94 lm	Luminaire Power	16.24 W	Efficacy	51.29 lm/W	Efficiency	100.00%
Lamps Flux	832.94 lm	Maximum value	120.80 cd/klm	Position	C=45.00 G=85.00	CG	Asymmetrical

		Average Luminance [cd/m ²]									
		45°	50°	55°	60°	65°	70°	75°	80°	85°	
0.0°		2367	2693	3078	3468	3926	4406	4982	5662	6517	---
90.0°		2346	2703	3072	3479	3925	4428	5002	5692	6556	---

Flush mounted or transversal view												
		Illumination(Ix)										
A	A	2000	1000	750	500		<300				1.15	
B	1		2000	1500	1000	750	500	<300			1.5	
C					2000		1000	500	<300		1.85	
D	2						2000	1000	500	<300	2.2	
E	3							2000	1000	500	<300	2.55

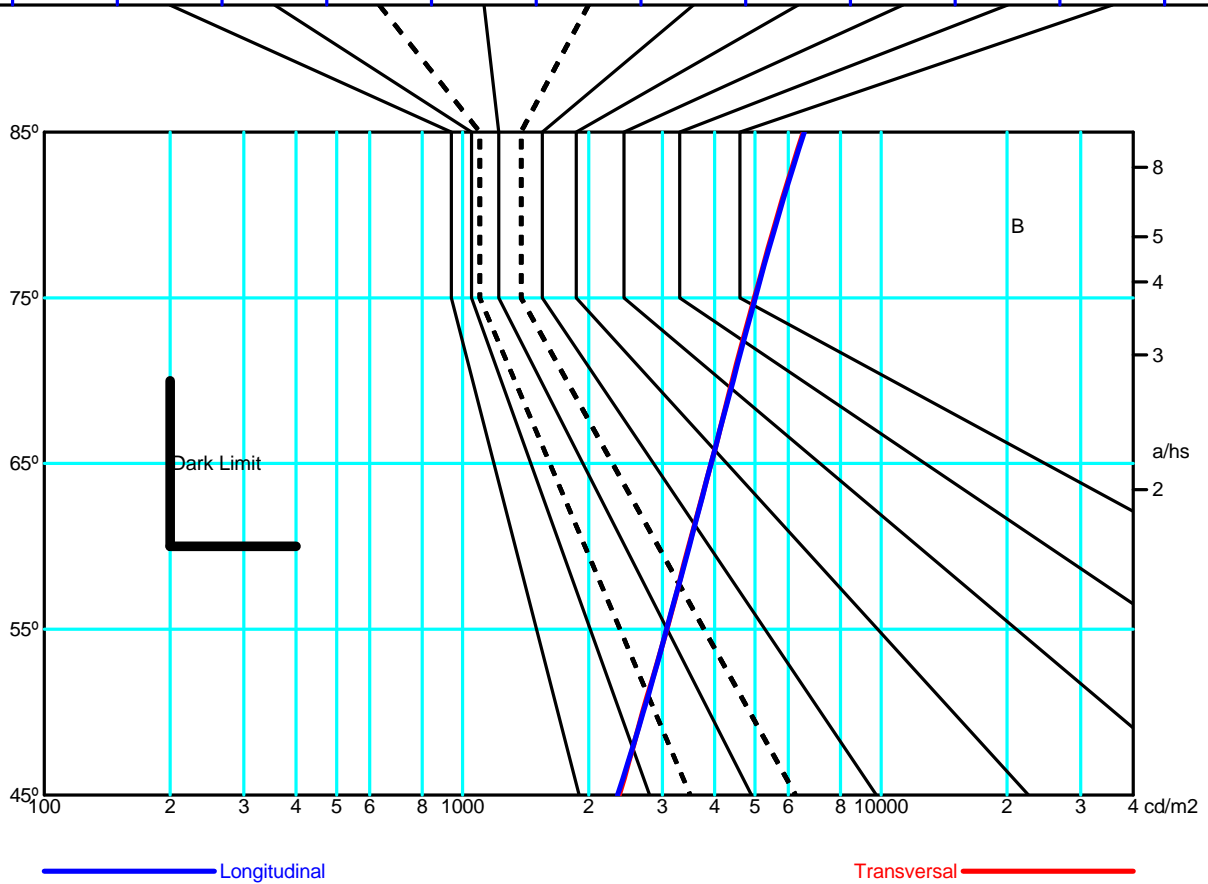
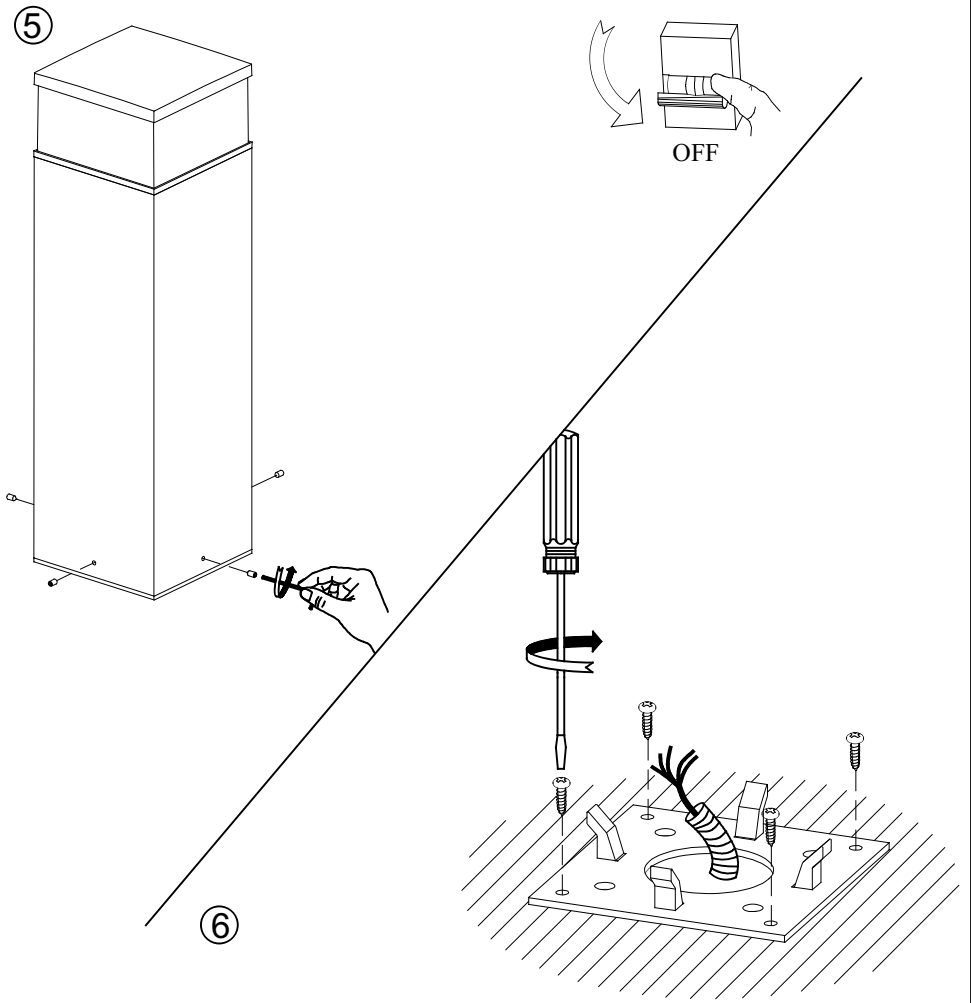
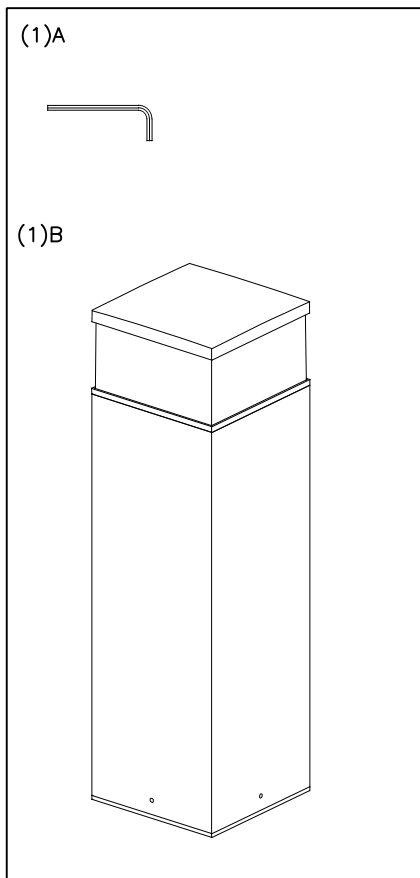


FIGURE N° 1. UNPACK THE FIXTURE: CHECK THE CONTENTS OF THE BOX. YOU SHOULD RECEIVE:

FIGURE N° 1. DÉBALLER LE PLAFONIER: VÉRIFIER LE CONTENU DU CARTON, VOUS DEVEZ RECEVOIR:

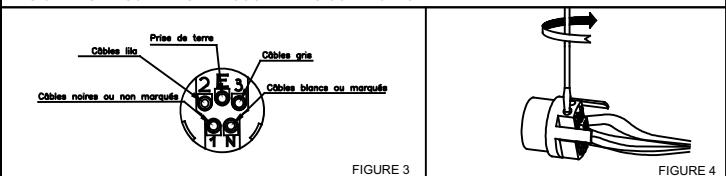
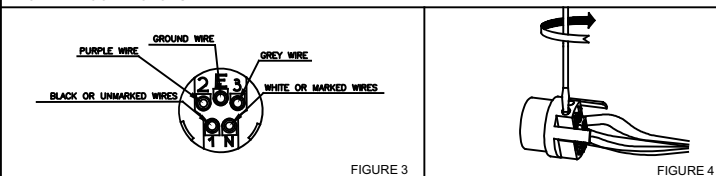


INSTALLATION INSTRUCTIONS FOR HANGING FIXTURES

INSTRUCTIONS D'INSTALLATION POUR PLAFONNIERS

FIGURE 3 AND 4 MOUNTING HARDWARE.
NOTE: TEST THE CONNECTOR BY GENTLY PULLING IT. IF IT PULLS OUT THE CONNECTION, TRY AGAIN TILL YOU HAVE A FIRM CONNECTION. MAKE SURE NO BARE STRANDS OF WIRE STICK OUT FROM THE CONNECTORS.

FIGURE 3 ET 4 MONTAGE DE L'ÉQUIPE.
IMPORTANT: ESSAYER DE TIRER LE CÂBLE D'ALIMENTATION DOUCEMENT. S'IL SORT DE LA CONNECTION, IL FAUDRAIT ASSURER QUE LA CONNECTION SOIT FERME. S'ASSURER QUE LES FILS DES CÂBLES NE SONT PAS À DÉCOUVERT DU CONNECTEUR.



CAUTION:
"Warning", "This product is to be installed by a qualified electrician only."

"Suitable for wet locations"

ATTENTION:
"Attention", le raccordement électrique sera effectué par un technicien électricien qualifié"

"Convenient aux emplacements mouillés."

CAUTION:
1.- Wrong lighting installation can be dangerous for your safety.
2.- Before starting, disconnect the power by turning off the general switch of the electric installation.

INSTALLATION:
1.- Make electrical connections, carefully read the Electrical Connection section.
2.- Assemble lighting as shown on fig. 5, 6, 7, 8, 9, & 10.

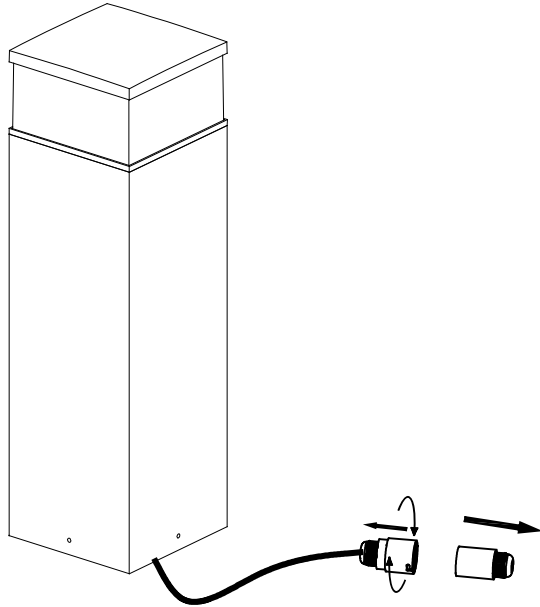
ELECTRICAL CONNECTIONS: (See fig. 3 and 4)
1.- Connect the white wire from the fixture to the white wire of the electric installation.
2.- Connect the grounding conductor from the fixture to the grounding wire of the electric installation.
3.- Connect the black wire from the fixture to the black wire of the electric installation.

ATTENTION:
1. Une mauvaise installation peut compromettre votre sécurité.
2. Déconnecter la tension du réseau d'alimentation avant de réaliser toute opération.

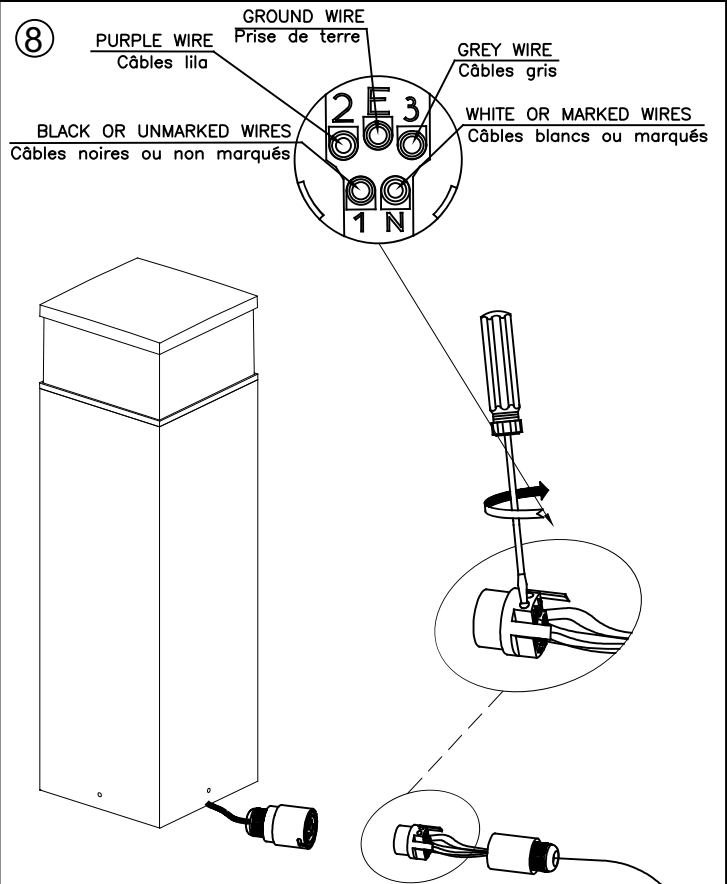
INSTALLATION:
1. Connecter au réseau, lire attentivement la section de "Raccordements électriques"
2. Installer l'appareil comme indiqué dans les dessins 5, 6, 7, 8, 9 et 10.

RACCORDEMENTS ÉLECTRIQUES (dessins 3 et 4)
1. Connecter le câble blanc de l'appareil au câble blanc de l'installation électrique.
2. Connecter le câble conducteur de prise de terre au câble de prise de terre de l'installation électrique.
3. Connecter le câble noir de l'appareil au câble noir de l'installation électrique.

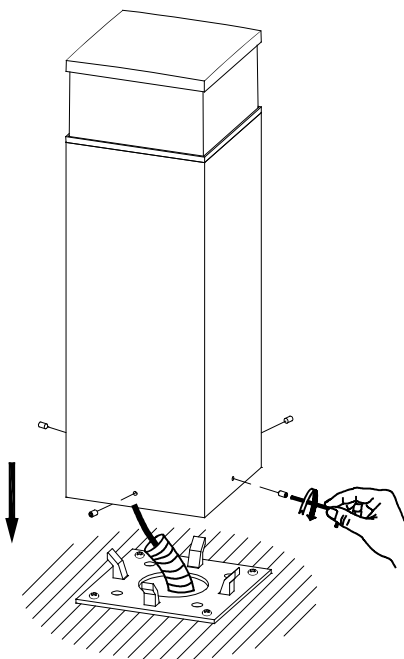
⑦



⑧



⑨



⑩

