

55-9305-Z5-Z5

V0

POST Column

Description

Column for outdoor use.

Suitable for installation in marine environments. Structure material: Galvanized steel. Structure finish: Urban grey. UV protection. Warranty: 5 Years.

Finish

Urban grey

Material

Galvanized steel



1

TECHNICAL CHARACTERISTICS

Light source

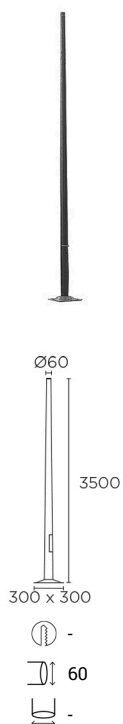
Lampholder: 0 x 2G11

Luminaire

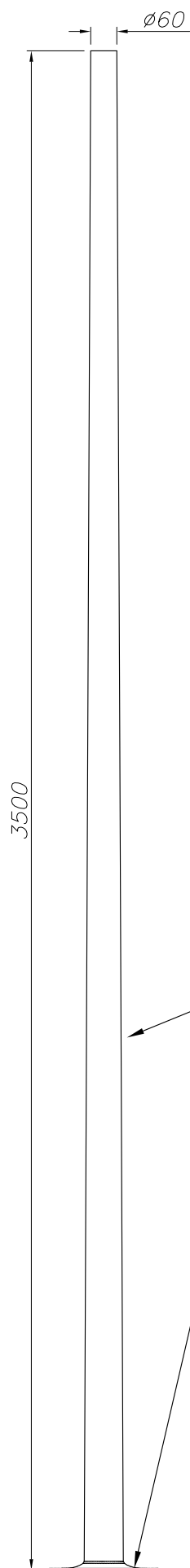
Drainage: No
Seaside: Yes
Uv Protection: Yes
Warranty: 5 Years

Logistics

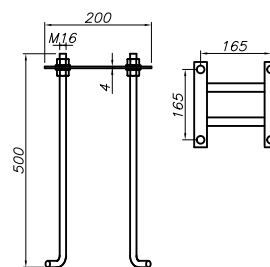
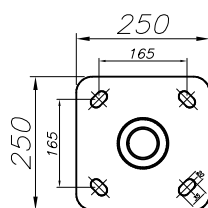
EAN Code: 8435111081655
Net Weight (Kg): 58.700
Weight in Kg (packaged): 58.700
Packing: 340 x 340 x 90
Masterbox: 1



The photograph may not match the reference exactly. Please read the product description to identify the finish.

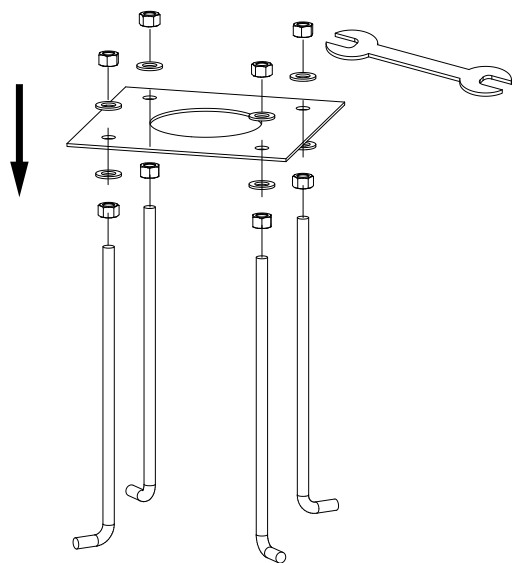


ACERO GALVANIZADO Y PINTADO
GALVANIZED AND PAINTED STEEL

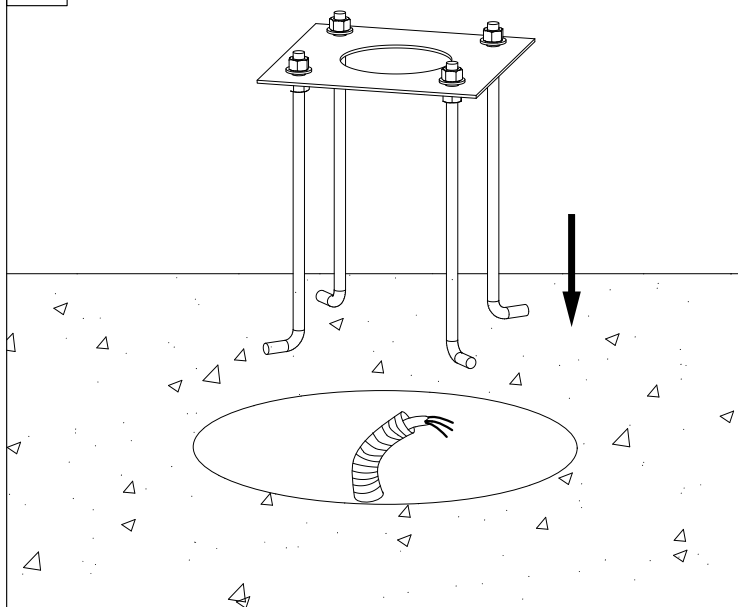


PLANTILLA DE INSTALACIÓN
INSTALLATION TEMPLATE

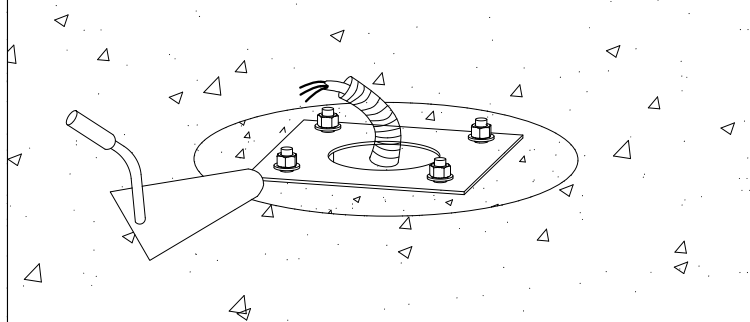
1



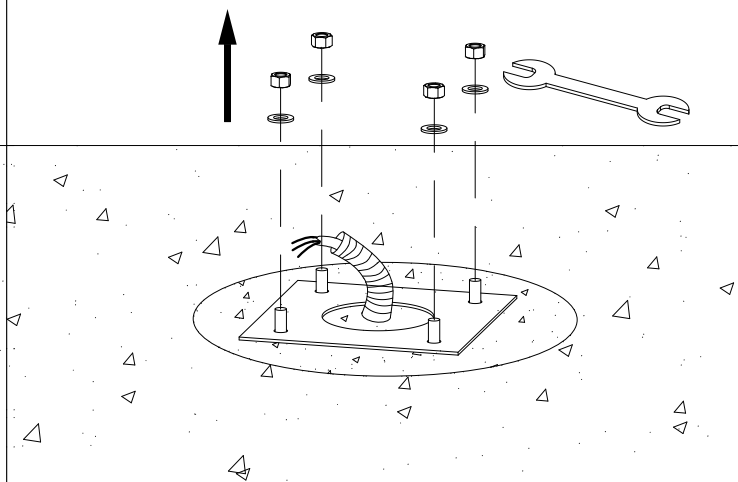
2



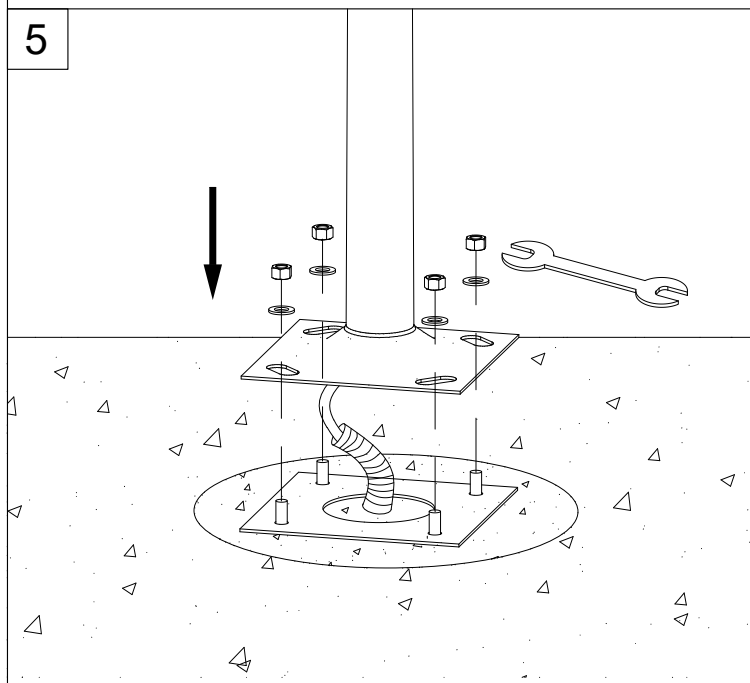
3



4



5



6

