

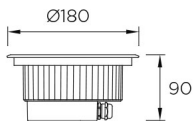
GEA Power Led Uplight recessed



Description

Floor recessed for outdoor use.

For uplighting. The unit will withstand a static weight of 1,800 Kg and the occasional transit of slow-moving vehicles. Includes flush-mounting box. Includes filter to create diffuse light. Suitable for installation in marine environments. Includes 2 cable outlets to facilitate chain mounting. Adjustable light source. Structure material: Stainless steel AISI316, High purity aluminium. Structure finish: Polished, Black. Diffuser material: Glass. Diffuser finish: Transparent. UV protection. Warranty: 5 Years.



Finish

Polished
Black
Transparent

Material

Stainless steel AISI316
High purity aluminium
Glass



TECHNICAL CHARACTERISTICS

Light source

Light source: LED LUMILEDS

Output (W): 9W

Total power consumption (W): 11W

Color temperature: Warm White - 3000K

CRI: 85

Photobiological risk: RG0

Real Lumen: 796

Qty Leds: 9

Lm/Real W: 72

Life Time: 50.000h L70B30

Bin / Grup: PO

MacAdam steps: 3

UGR: 11.0

GEAR

Brand: EAGLERISE

Gear included: Yes, electronic

Voltage / Frequency: 100-240 VAC

Power Factor: 0.54

Luminaire

Double cable exit: Yes

Drainage: Yes

Recessed: Si

Public Areas: 1800

Seaside: Yes

Uv Protection: Yes

Warranty: 5 Years

Logistics

Energy Efficiency: LED A++

EAN Code: 8435381421106

Net Weight (Kg): 2.000

Weight in Kg (packaged): 2.400

Packing: 195 x 195 x 115

Masterbox: 2

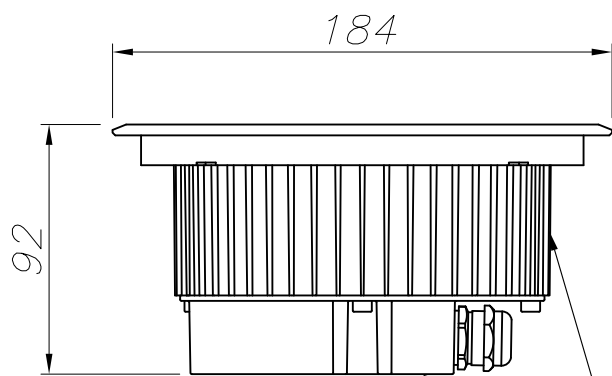
The photograph may not match the reference exactly. Please read the product description to identify the finish.

OPTIONAL ACCESSORIES

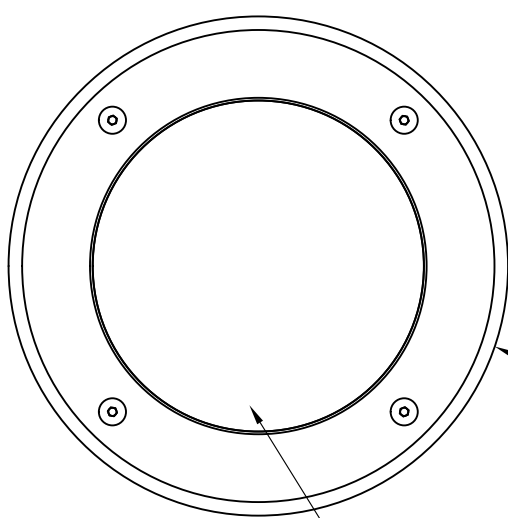


71-9744-05-05

Structure material: Polypropylene
Net Weight (Kg): 0.235

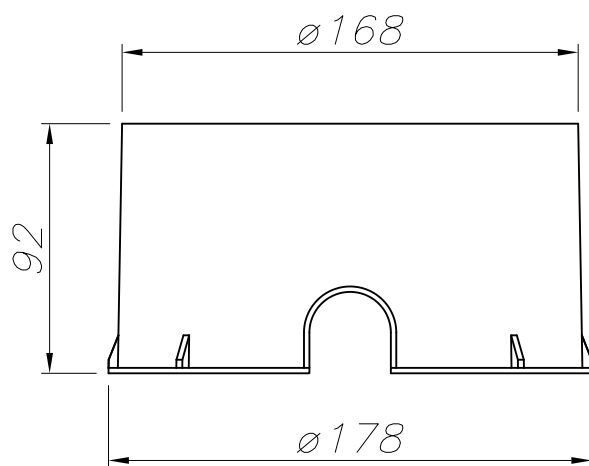


ALUMINIO INYECTADO
INJECTED ALUMINIUM



ACERO INOXIDABLE AISI 316
STAINLESS STEEL AISI 316

CRISTAL TEMPLADO TRANSPARENTE
TEMPERED TRANSPARENT GLASS



CAJA DE EMPOTRAR
FLUSH FITTING BOX

