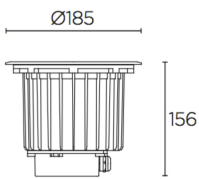


### GEA Power Led Pro Uplight recessed



#### Description

Floor recessed for outdoor use.

For uplighting. Electronic components are in a sealed internal compartment, completely separate from the compartment where the connection terminals are located. The unit will withstand a static weight of 1,800 Kg and the occasional transit of slow-moving vehicles. Includes flush-mounting box. Suitable for installation in marine environments. Includes 2 cable outlets to facilitate chain mounting. Adjustable light source. Structure material: Stainless steel AISI316, Aluminium. Structure finish: Polished, Black. Diffuser material: Glass. Diffuser finish: Transparent. UV protection. Warranty: 5 Years. Ta max: 50°C.

#### Finish

Polished  
Black  
Transparent

#### Material

Stainless steel AISI316  
Aluminium  
Glass



#### TECHNICAL CHARACTERISTICS

##### Light source

Light source: LED CREE  
Output (W): 16W  
Total power consumption (W): 19.5  
Color temperature: Neutral white - 4000K  
CRI: 80  
Photobiological risk: RG2  
Real Lumen: 1556  
Qty Leds: 6  
Lm/Real W: 80  
Life Time: 50.000h L90B10  
Bin / Grup: 5A3 o 5D2  
MacAdam steps: 2  
UGR: 9.5

##### GEAR

Brand: EAGLERISE  
Gear included: Yes, electronic  
Voltage / Frequency: 100-240 VAC  
Power Factor: 0.90

##### Luminaire

Double cable exit: Yes  
Drainage: Yes  
Public Areas: 1800  
Seaside: Yes  
Uv Protection: Yes  
Warranty: 5 Years  
Ta max: 50°C

##### Logistics

Energy Efficiency: LED A++  
EAN Code: 8435381463410  
Net Weight (Kg): 2.327  
Weight in Kg (packaged): 2.475  
Packing: 190 x 190 x 175  
Masterbox: 4

The photograph may not match the reference exactly. Please read the product description to identify the finish.

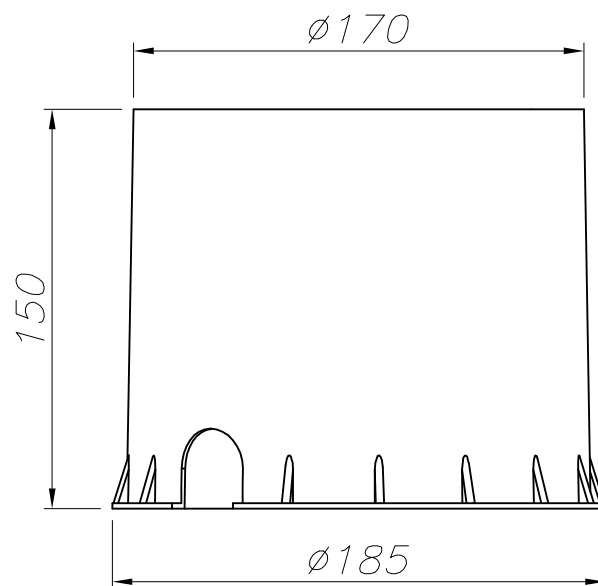
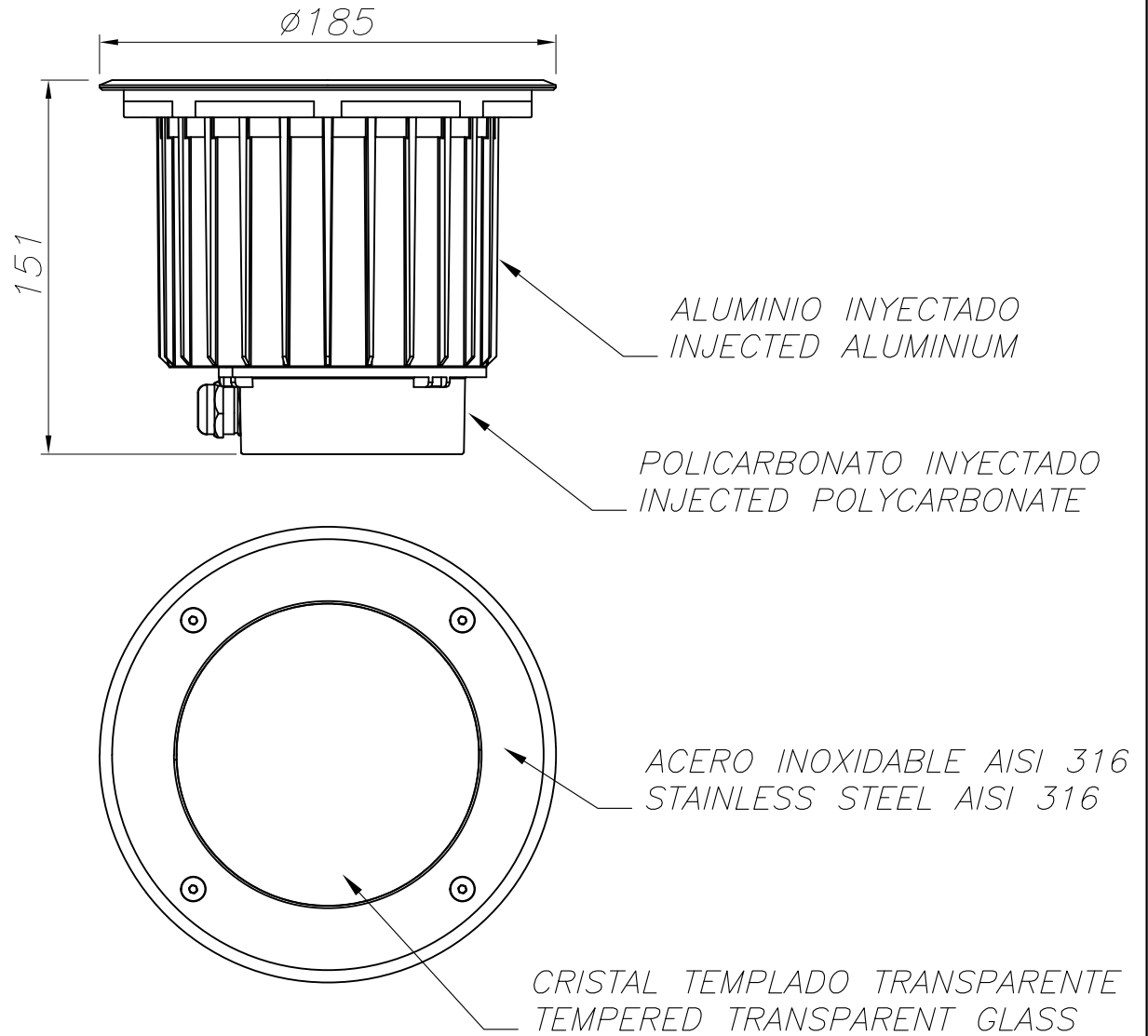
## OPTIONAL ACCESSORIES

---



### 71-9995-DC-DC

Structure material: cement  
Dimensions: 300 x 300 x 162  
Net Weight (Kg): 12.000



CAJA DE EMPOTRAR  
FLUSH FITTING BOX

