

**71-1844-81-81**

V0

---

## BARRA / DOWN ROD Accessory

---

### Description

Accessory for indoor use.

Structure material: Steel. Structure finish: Satin nickel. Warranty: 5 Years.

---

### Finish

Satin nickel

### Material

Steel

---



10

---

### TECHNICAL CHARACTERISTICS

#### Luminaire

Warranty: 5 Years

#### Logistics

EAN Code: 8435381401696

Net Weight (Kg): 0.355

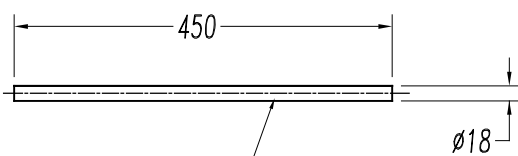
Weight in Kg (packaged): 0.400

Packing: 25 x 25 x 565

Masterbox: 10



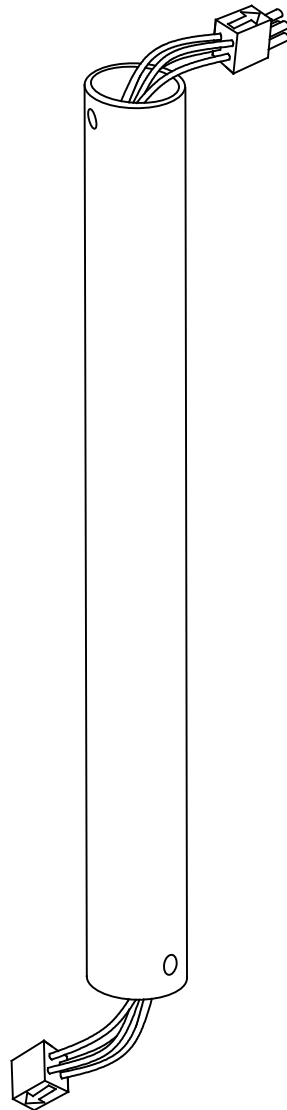
The photograph may not match the reference exactly. Please read the product description to identify the finish.



Iron/ Satin nickel or shiny white

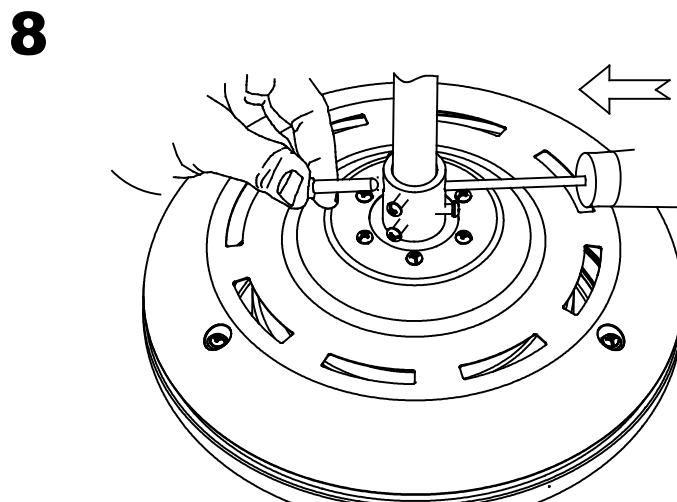
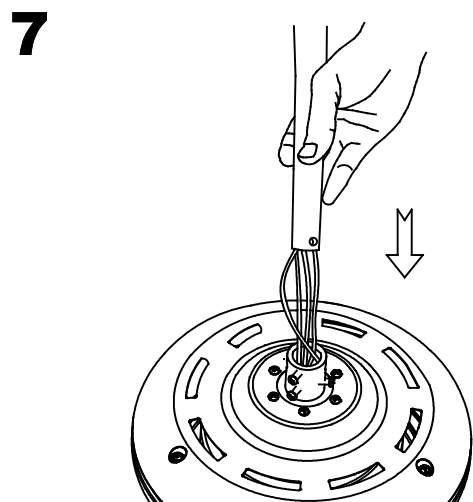
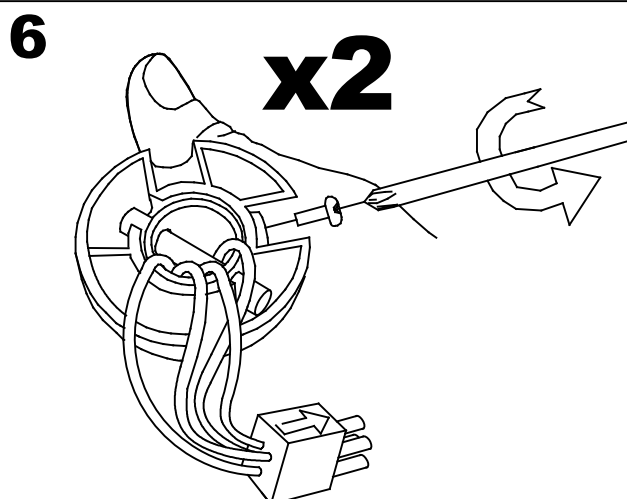
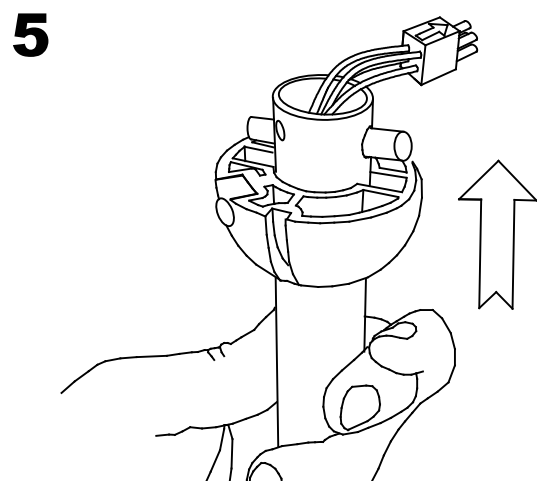
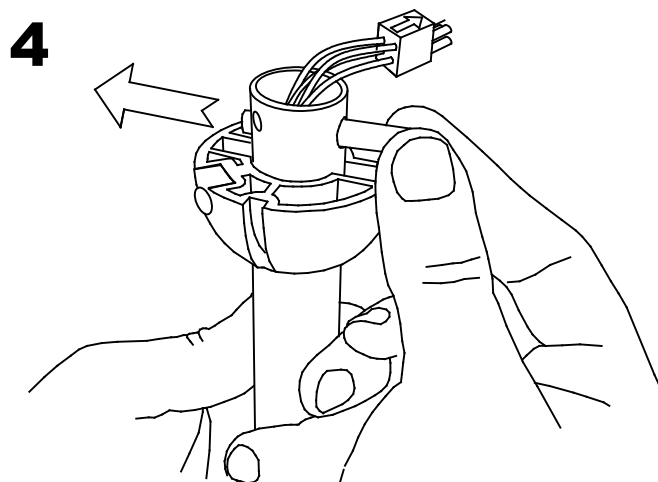
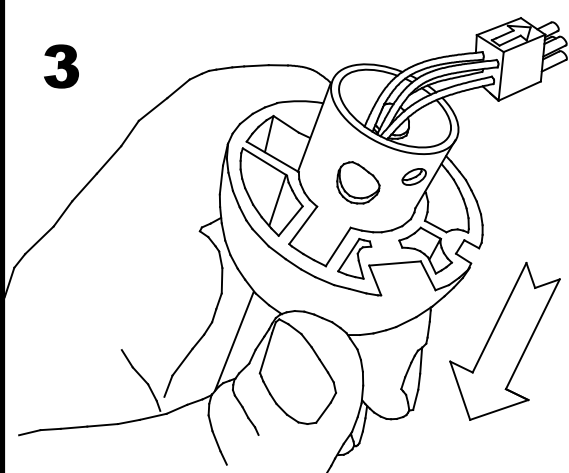
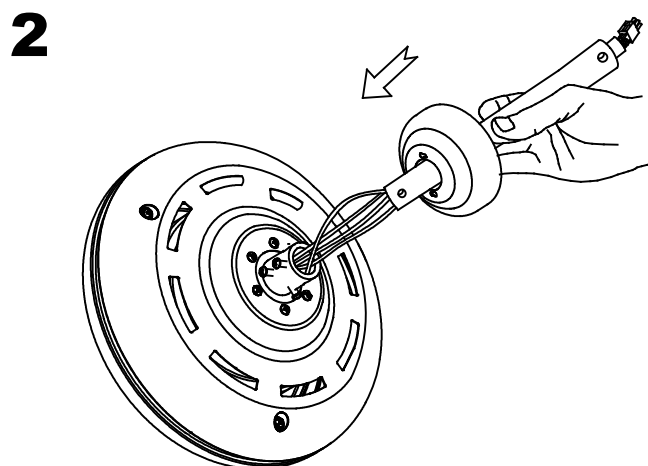
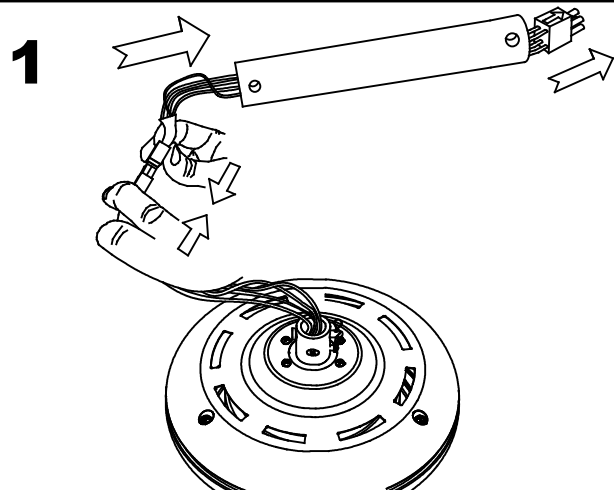
# LEDS C4<sup>2</sup>

**71-1844**

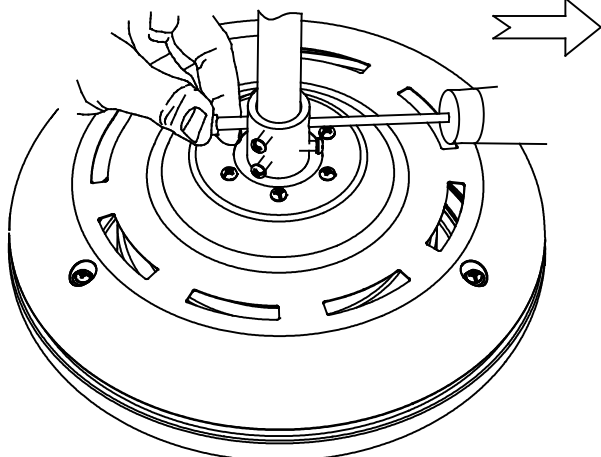


# LEDS C4<sup>®</sup>

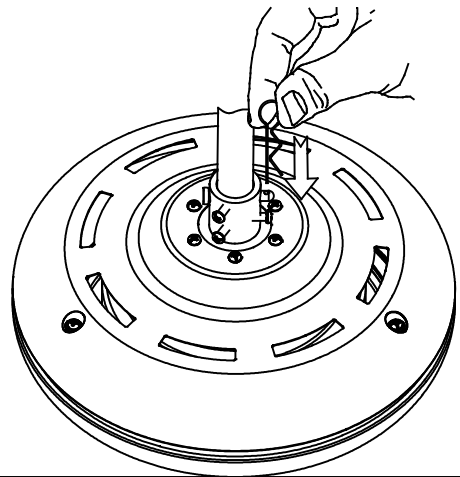
1/2



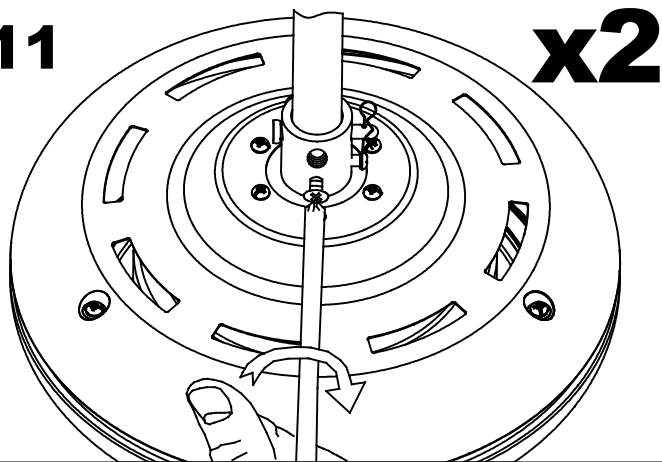
9



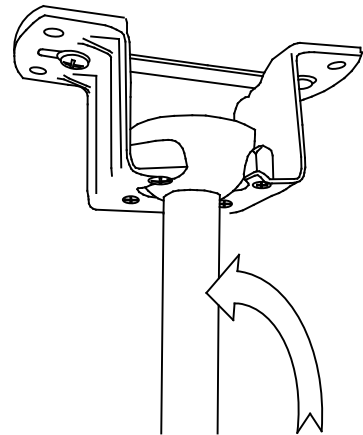
10



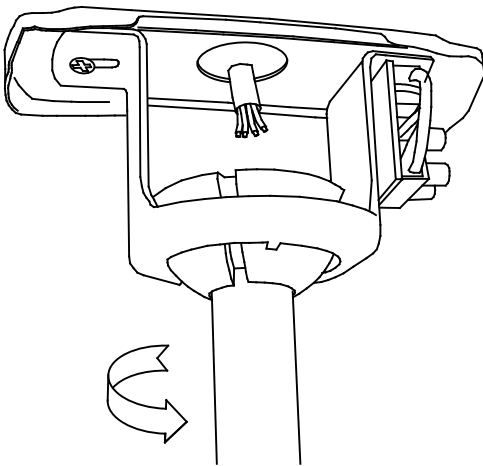
11



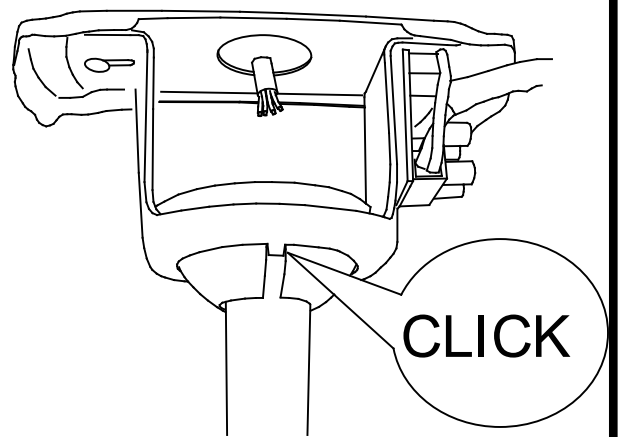
12



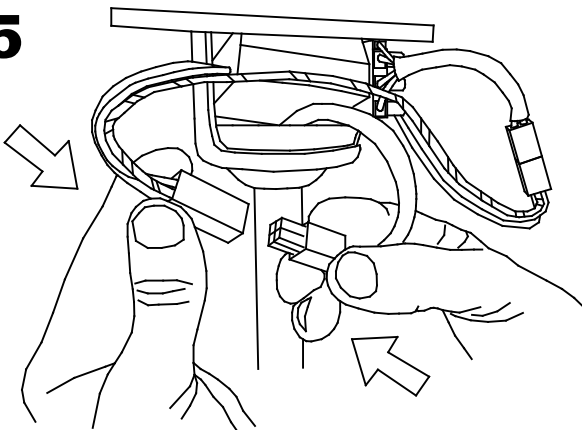
13



14



15



16

