

**71-1844-CF-CF**

V0

**BARRA / DOWN ROD Accessory****Description**

Accessory for indoor use.

Structure material: Steel. Structure finish: BRIGHT WHITE. Warranty: 5 Years.

**Finish**  
BRIGHT WHITE**Material**  
Steel

10

**TECHNICAL CHARACTERISTICS****Luminaire**

Warranty: 5 Years

**Logistics**

EAN Code: 8435381401702

Net Weight (Kg): 0.355

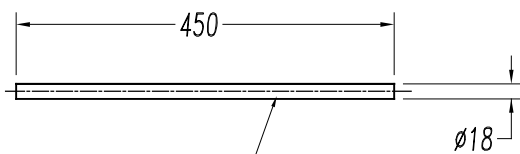
Weight in Kg (packaged): 0.400

Packing: 25 x 25 x 565

Masterbox: 10



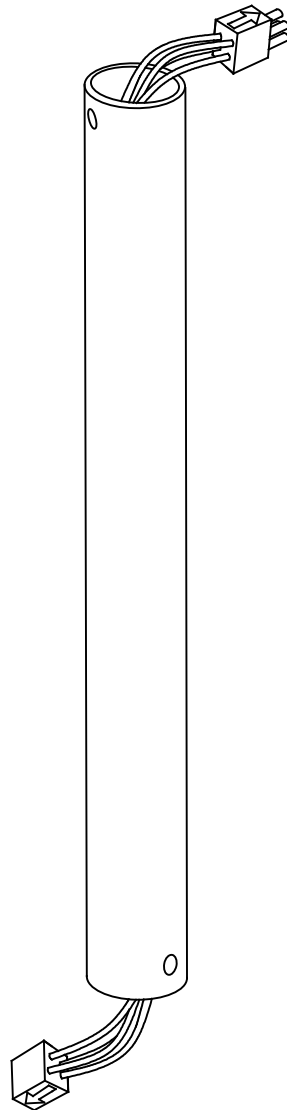
The photograph may not match the reference exactly. Please read the product description to identify the finish.



Iron/ Satin nickel or shiny white

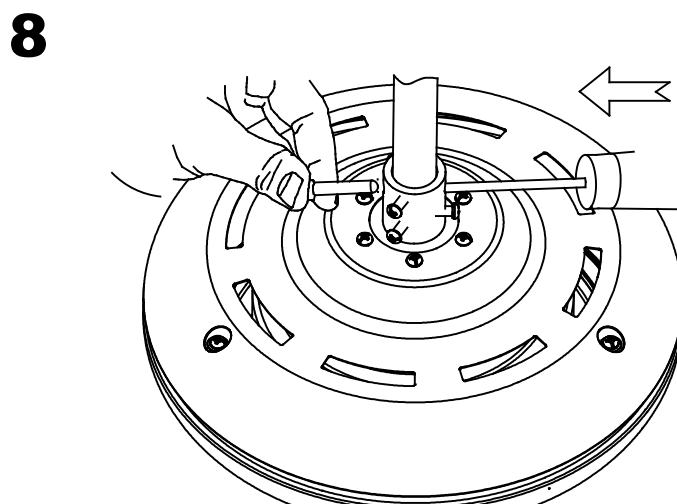
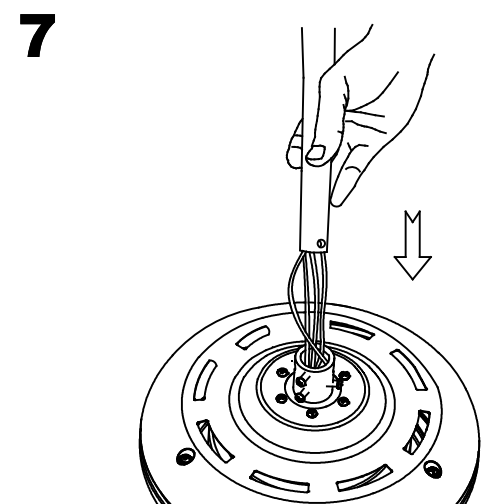
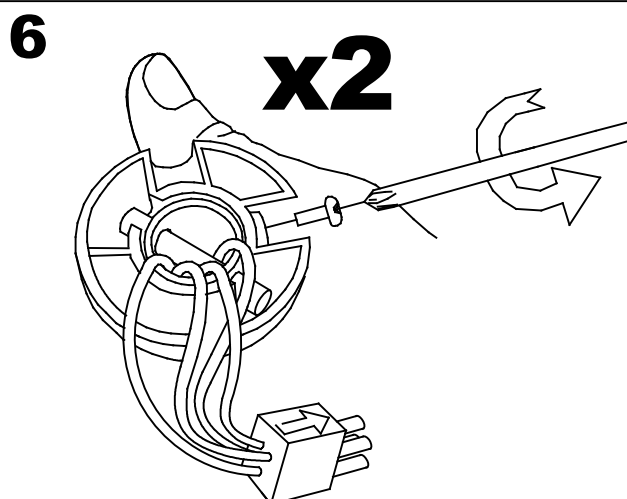
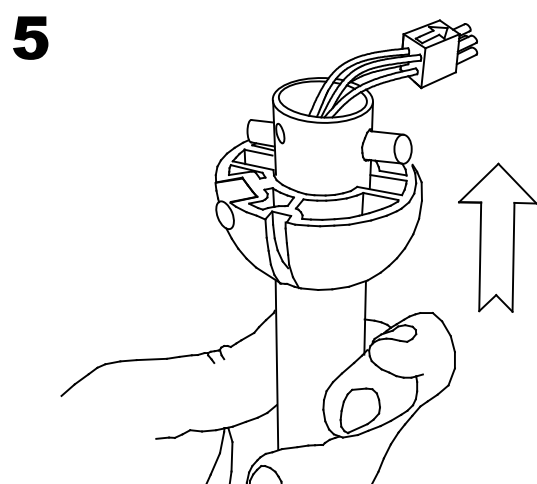
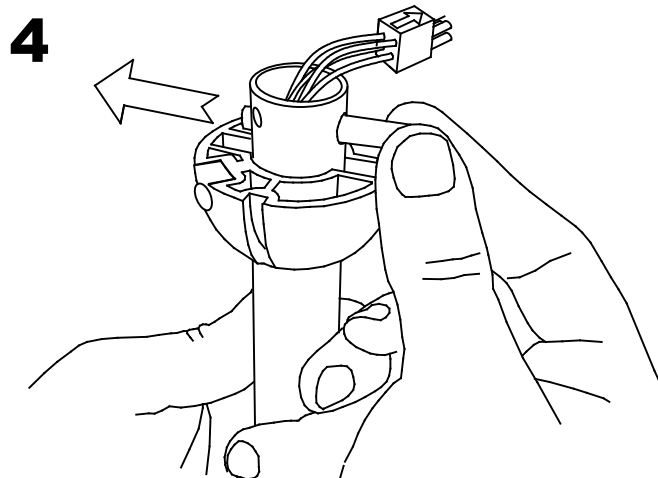
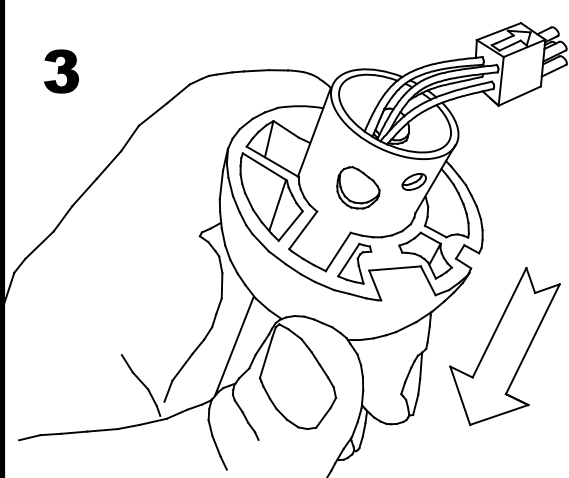
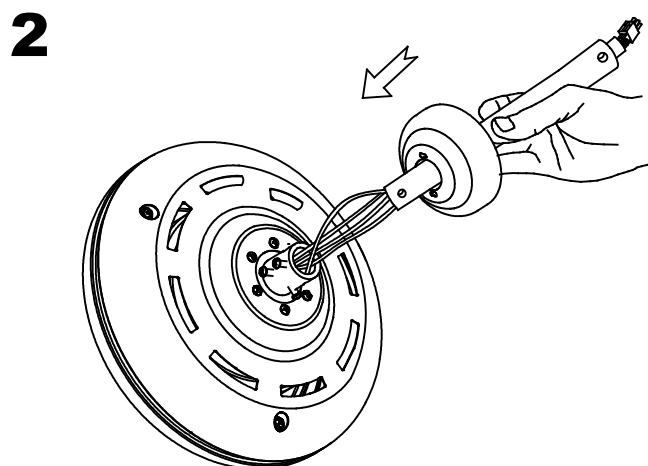
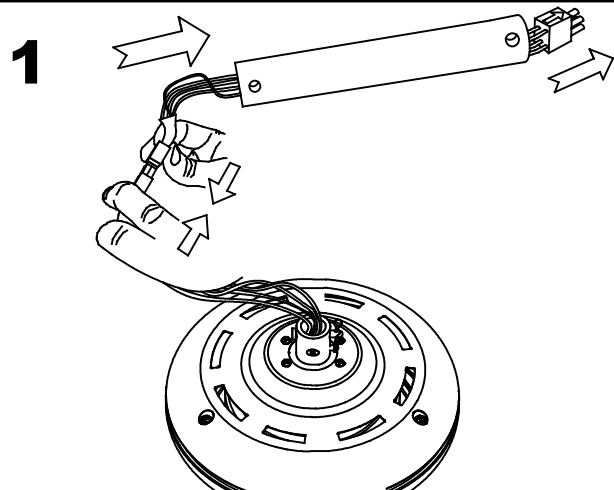
# LEDS C4<sup>2</sup>

**71-1844**

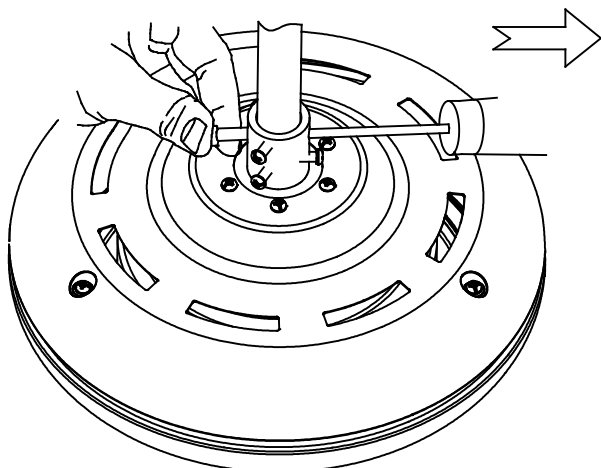


# LEDS C4<sup>®</sup>

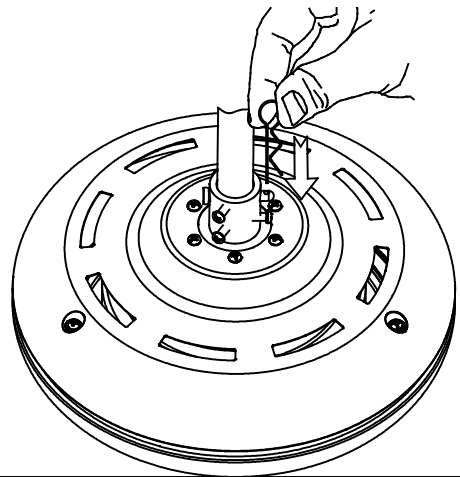
1/2



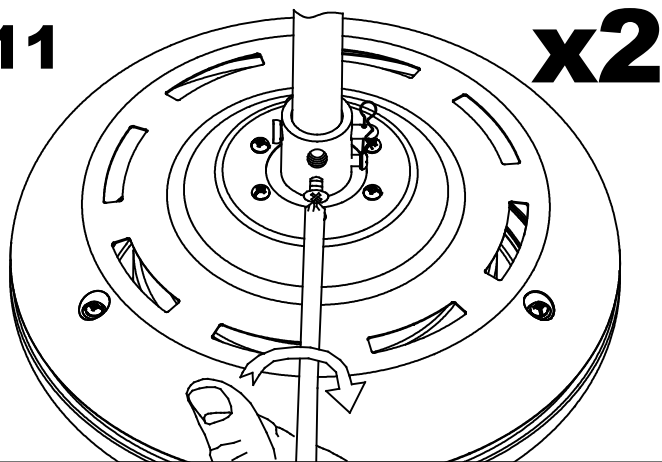
9



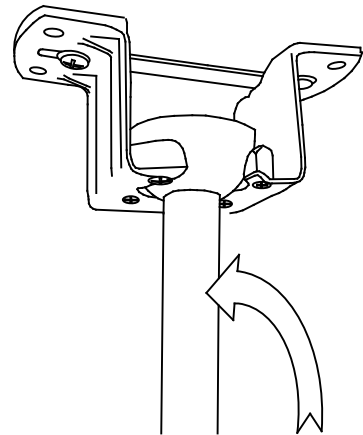
10



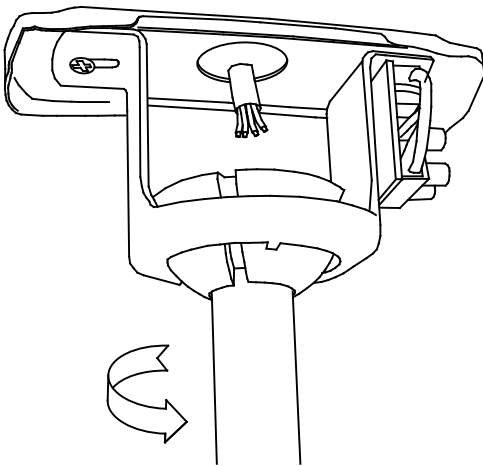
11



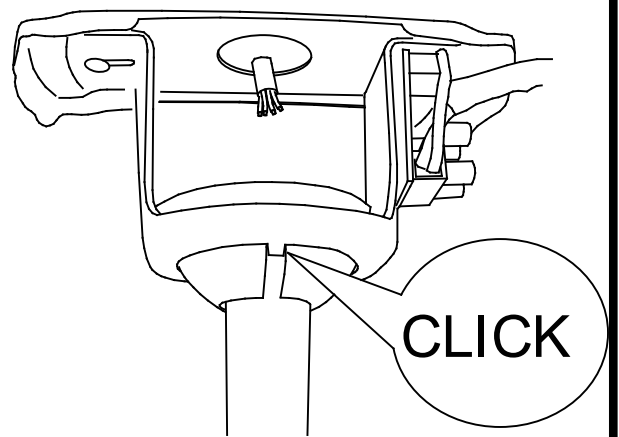
12



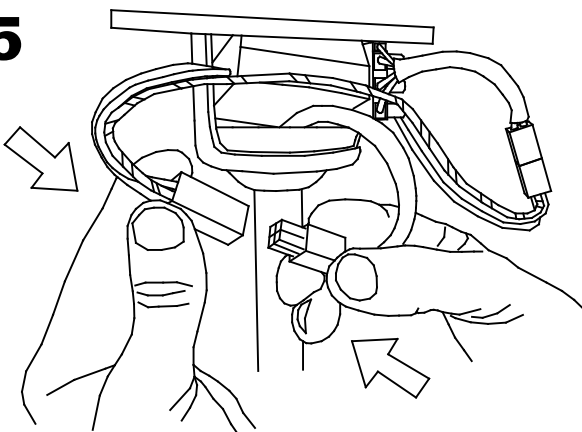
13



14



15



16

