

71-4398-16-F9

V0

PHUKET Accessory



Description

Fan for indoor use.

Structure material: Steel. Structure finish: Off-white. Diffuser material: Glass. Diffuser finish: Opal white.
Warranty: 5 Years.

Finish

Off-white
Opal white

Material

Steel
Glass



TECHNICAL CHARACTERISTICS

Light source

Lampholder: 2 x E27
Output (W): MAX 60W
Total power consumption (W): 120
Lamp maximum dimension: 140/60 mm
Quantity: 2

GEAR

Voltage / Frequency:
220-240VAC/50-60Hz

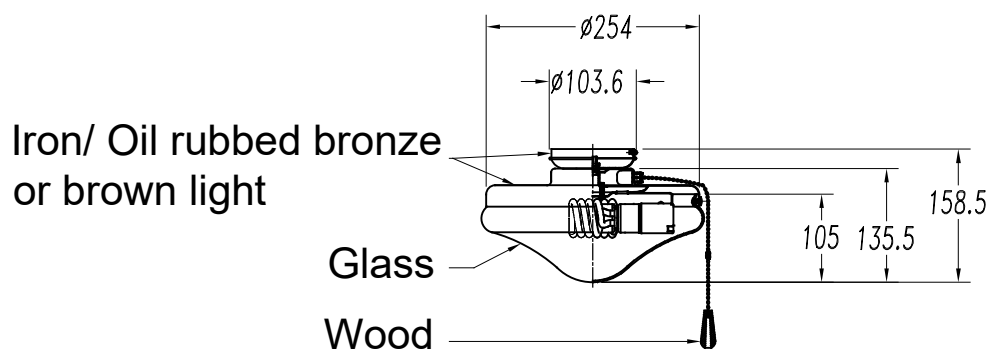
Luminaire

Warranty: 5 Years

Logistics

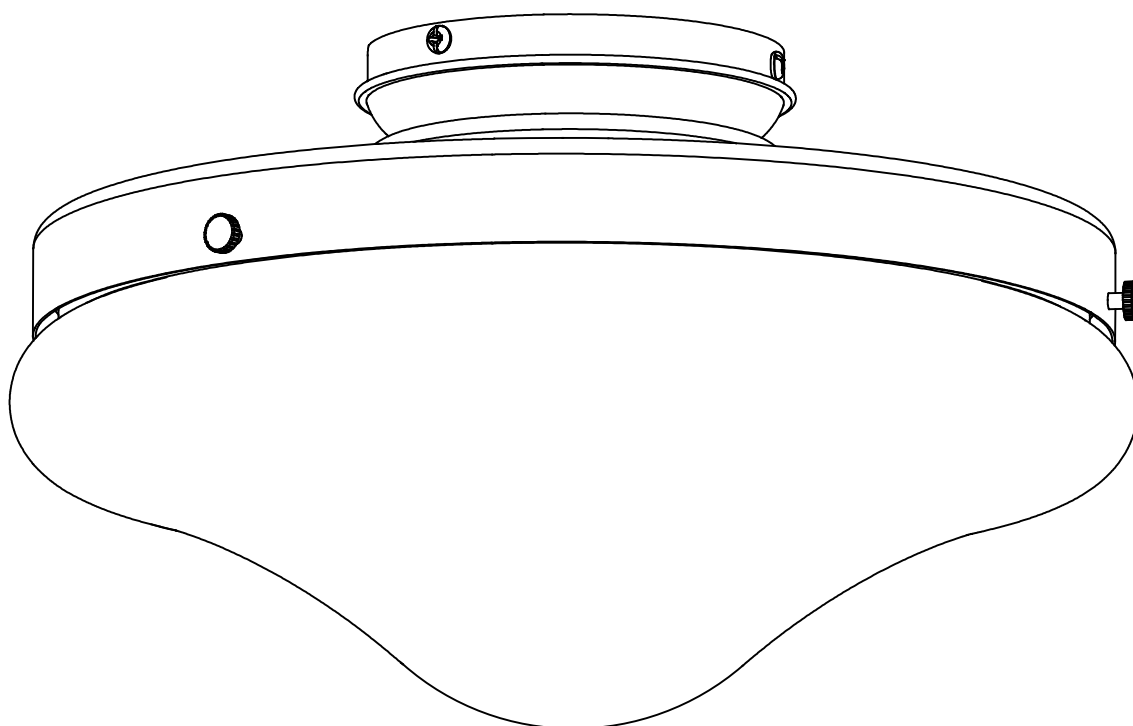
Energy Efficiency: NO BULB
EAN Code: 8435381462475
Net Weight (Kg): 1.080
Weight in Kg (packaged): 1.758
Packing: 305 x 305 x 215
Masterbox: 4

The photograph may not match the reference exactly. Please read the product description to identify the finish.



LEDS C4²

PHUKET / 71-4398



LEDS C4²

1/1

