

71-9956-48-48

V0



ACCESSORY Accessory

Description

Accessory for outdoor use.

Structure material: Galvanized steel, Stainless steel AISI304. UV protection. Warranty: 5 Years.

Material

Galvanized steel
Stainless steel AISI304

 50

TECHNICAL CHARACTERISTICS

Light source

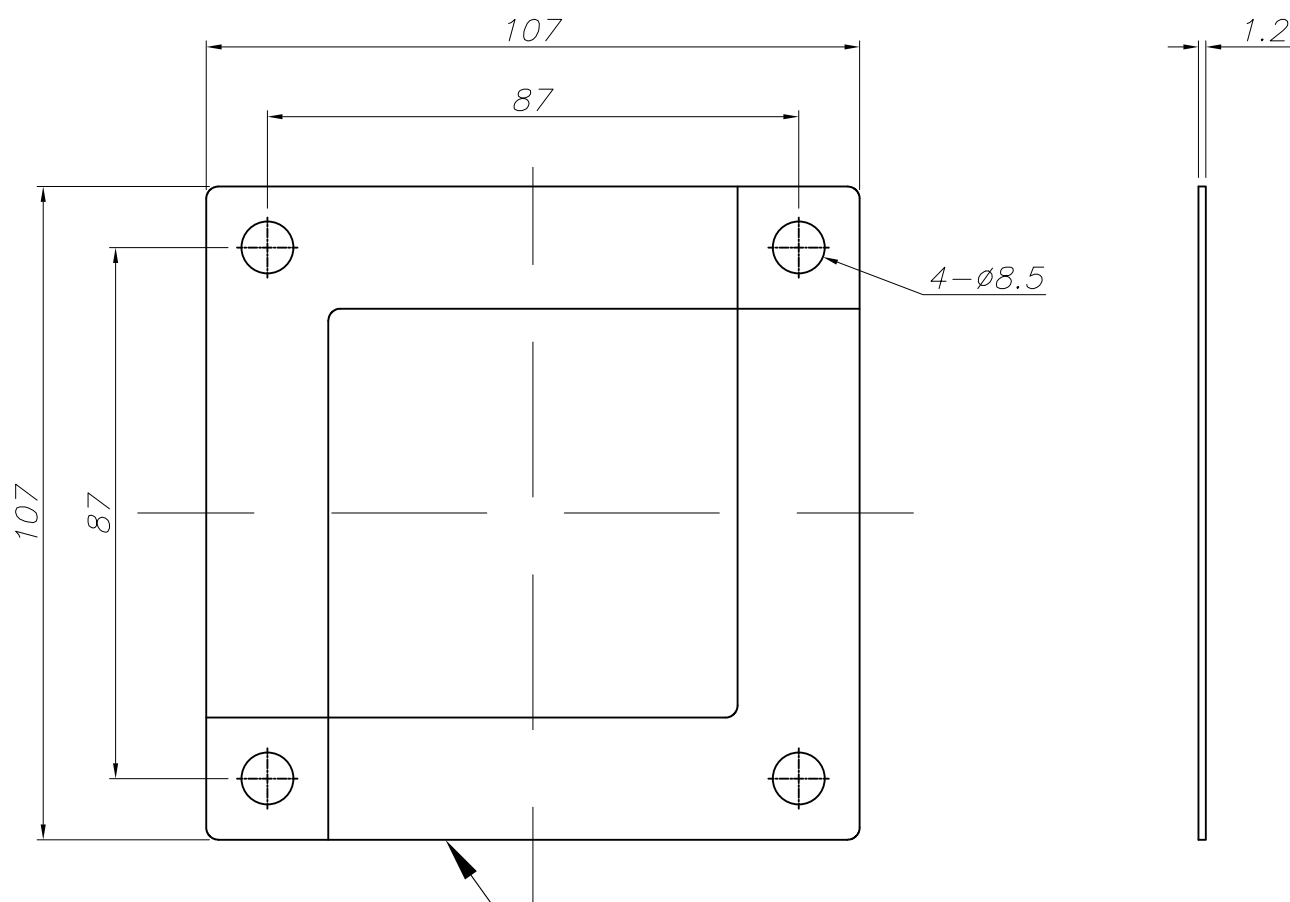
Luminaire

Double cable exit: No
Drainage: No
Uv Protection: Yes
Warranty: 5 Years

Logistics

EAN Code: 8435381458393
Net Weight (Kg): 0.330
Weight in Kg (packaged): 0.380
Packing: 150 x 40 x 100
Masterbox: 50

The photograph may not match the reference exactly. Please read the product description to identify the finish.



ACERO GALVANIZADO
GALVANIZED STEEL

