

**BENTO Downlight recessed**

Designer: Leds C4



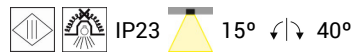
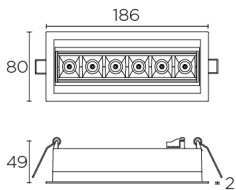
**Description**

Downlight

For downlighting. UGR <10. Adjustable light source. Structure material: Aluminium. Structure finish: White. Blades finishes: NA. Warranty: 5 Years.

**Finish**  
White  
NA

**Material**  
Aluminium



⌀ 175\*70

⚡ 0-20

**TECHNICAL CHARACTERISTICS**

**Light source**

Light source: LED NICHIA  
Output (W): 12.2W  
Color temperature: LED warm-white 2700K  
CRI: 90  
Photobiological risk: RG2  
Real Lumen: 904  
Qty Leds: 6  
Lm/Real W: 75  
Life Time: 50.000h L80B20  
Bin / Grup: sm273  
MacAdam steps: 3

**GEAR**

This item requires gear. It is not included.

**Luminaire**

Warranty: 5 Years

**Logistics**

Energy Efficiency: LED A++  
EAN Code: 8435526869664  
Net Weight (Kg): 0.000

The photograph may not match the reference exactly. Please read the product description to identify the finish.

## Luminaria

Código 90-7187-14-60  
Nombre BENTO

## Ensayo

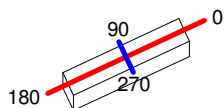
Código 90-7187-14-60  
Nombre BENTO

Flujo Luminaria	903.79 lm	Potencia luminaria	14.70 W	Eficacia	61.48 lm/W	Eficiencia	100.00%
Flujo de Lámpara	903.79 lm	Valor Máximo	6577.26 cd/klm	Posición	C=0.00 G=1.00	CG	Bisimétrico
Luminaria Rectangular		Longit.	36 mm	Anchura	185 mm	Altura	82 mm
Área Luminosa Rectangular		Longit.	30 mm	Anchura	160 mm	Altura	0 mm
Área Luminosa Horizontal	0.004800 m2			Área Emisión sobre Pl. 180°		0.000000 m2	
Área Emisión sobre Pl. 0°	0.000000 m2			Área Emisión sobre Pl. 270°		0.000000 m2	
Área Emisión sobre Pl. 90°	0.000000 m2			Área de deslumbramiento a 76°		0.001161 m2	
Sist. de Coorden.	CG			Tipo de Simetría		Bisimétrico	
Fecha	31-10-2018			Máximo Ángulo Gamma		90	
Distancia de Ensayo	0.00			Flujo de Ensayo		993.18 lm	
Operador	qualitat			Tensión de alimentación [V]			
Temperatura	25.00 °C			Corriente de alimentación [A]			
Humedad	60.00 %			Fotocélula			
Notas							

## Lámparas de la Luminaria

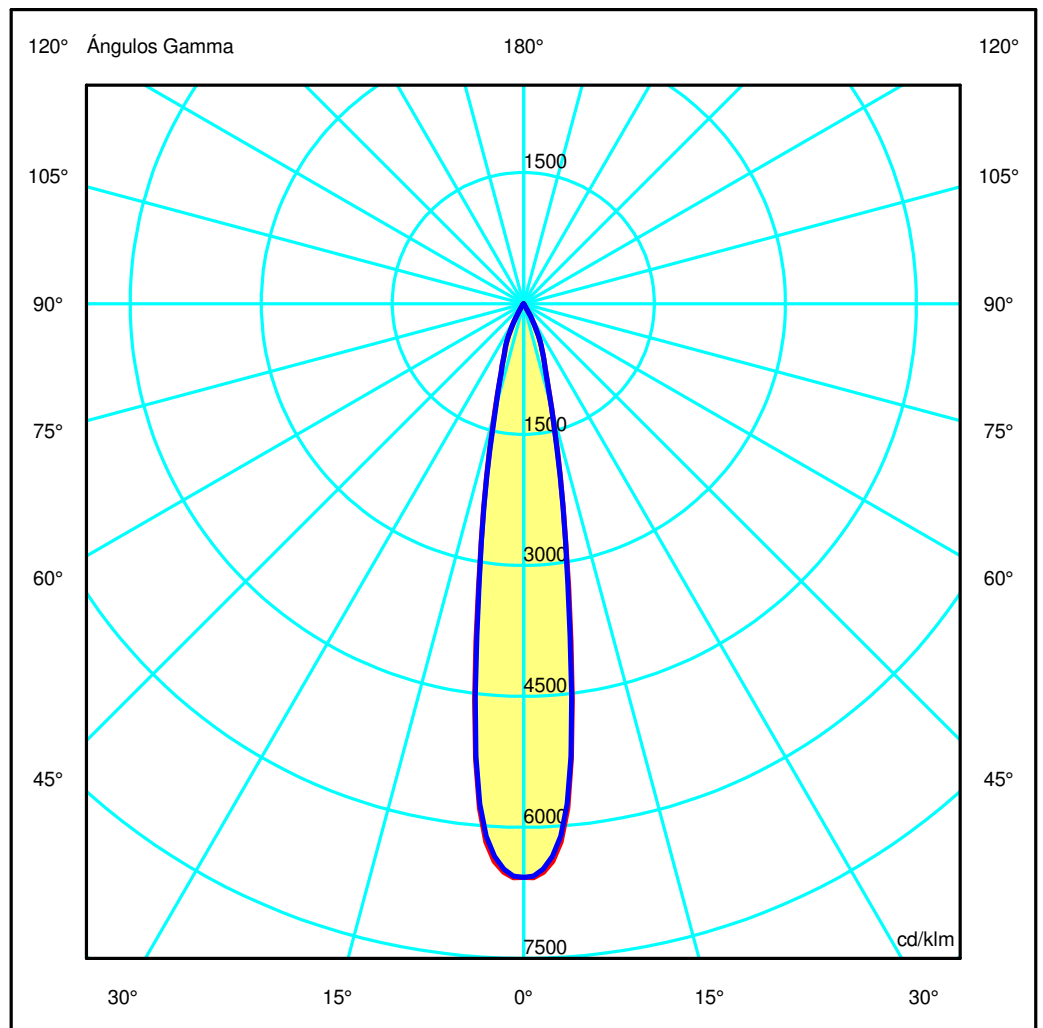
Familia	Código	Nombre	Flujo [lm]	Pot. [W]	Cant.
	15-7193-60-MS	15-7193-60-MS	903.79	14.70	1
C.I.E.	100 100 100 100 100		D DIN 5040	A60	
F UTE	--		B NBN	BZ 1	

36mm x 185mm



Semiplanos C  
180.0 — 0.0  
270.0 — 90.0

ULOR 0.00 %  
DLOR 100.00 %  
RN 0.00 %



**Luminaria**

Código 90-7187-14-60

Nombre BENTO

**Ensayo**

Código 90-7187-14-60

Nombre BENTO

Flujo Luminaria	903.79 lm	Potencia luminaria	14.70 W	Eficacia	61.48 lm/W	Eficiencia	100.00%
Flujo de Lámpara	903.79 lm	Valor Máximo	6577.26 cd/klm	Posición	C=0.00 G=1.00	CG	Bisimétrico

**Tabla de Intensidad Luminosa cd/klm      Tabla 1/2**

	C 0.00	C 15.00	C 30.00	C 45.00	C 60.00	C 75.00	C 90.00
G 0.0	6573.71	6573.71	6573.71	6573.71	6573.71	6573.71	6573.71
G 1.0	6577.26	6549.27	6551.07	6555.48	6557.90	6557.81	6558.09
G 2.0	6517.43	6493.49	6492.87	6490.94	6487.51	6485.62	6482.19
G 3.0	6398.79	6374.12	6365.27	6364.15	6351.07	6347.90	6339.60
G 4.0	6180.37	6160.48	6150.26	6150.56	6132.44	6125.54	6115.16
G 5.0	5802.38	5791.71	5788.86	5791.42	5772.68	5768.61	5751.67
G 6.0	5246.53	5246.03	5245.35	5247.29	5236.07	5229.02	5211.27
G 7.0	4581.56	4579.00	4580.31	4571.97	4557.55	4540.41	4530.24
G 8.0	3913.79	3907.75	3907.40	3883.48	3872.95	3842.80	3840.18
G 9.0	3306.97	3294.10	3293.49	3273.20	3266.31	3244.79	3248.58
G 10.0	2801.45	2792.64	2792.82	2780.40	2779.22	2769.79	2772.97
G 11.0	2393.90	2385.30	2384.43	2376.51	2375.60	2371.30	2374.60
G 12.0	2037.29	2032.13	2026.25	2019.80	2017.62	2015.16	2017.45
G 13.0	1732.22	1725.68	1720.96	1713.90	1711.12	1706.31	1706.35
G 14.0	1466.12	1473.32	1460.51	1468.27	1451.94	1457.69	1441.30
G 15.0	1250.24	1247.01	1249.22	1248.66	1244.74	1235.54	1231.12
G 16.0	1084.59	1074.01	1089.73	1081.58	1087.04	1066.30	1072.46
G 17.0	938.12	938.67	946.88	949.53	945.17	933.53	931.40
G 18.0	831.14	831.65	838.34	841.95	836.85	829.50	828.49
G 19.0	745.90	745.28	749.02	750.92	747.75	744.63	745.26
G 20.0	674.54	673.12	674.03	673.32	672.43	672.85	674.15
G 21.0	614.15	611.83	610.48	607.44	609.45	611.85	613.65
G 22.0	563.48	560.50	557.07	553.34	557.67	562.83	564.69
G 23.0	514.78	513.44	508.16	504.47	509.36	516.76	518.80
G 24.0	462.63	461.20	457.20	454.99	458.51	464.31	465.72
G 25.0	402.33	401.20	400.53	400.78	401.12	402.90	403.38
G 26.0	339.41	338.45	339.54	341.20	339.75	339.47	339.65
G 27.0	278.09	276.51	276.08	276.32	275.97	277.28	278.11
G 28.0	221.33	217.83	215.97	212.57	214.95	217.62	220.78
G 29.0	166.59	162.90	157.59	154.55	156.14	161.74	165.55
G 30.0	116.10	112.44	111.93	108.14	110.58	112.35	113.80
G 31.0	68.68	67.80	70.75	71.19	70.03	66.66	65.48
G 32.0	38.80	35.81	41.34	42.78	40.73	34.73	36.97
G 33.0	18.08	21.74	22.60	26.19	21.82	22.26	17.59
G 34.0	14.01	13.25	15.55	15.45	14.86	12.55	13.44
G 35.0	9.80	10.15	10.50	10.11	9.75	9.46	9.31
G 36.0	6.98	7.29	7.74	7.23	6.96	6.49	6.31
G 37.0	4.91	4.93	5.13	4.74	4.55	4.17	4.09
G 38.0	3.51	3.53	3.54	3.41	3.31	3.34	3.13
G 39.0	2.75	2.85	2.78	2.81	2.77	2.76	2.77
G 40.0	2.47	2.49	2.51	2.50	2.50	2.51	2.50
G 41.0	2.23	2.25	2.27	2.27	2.26	2.26	2.27
G 42.0	2.00	2.02	2.06	2.05	2.05	2.05	2.05
G 43.0	1.79	1.81	1.86	1.86	1.86	1.85	1.86
G 44.0	1.61	1.62	1.69	1.69	1.68	1.68	1.68
G 45.0	1.44	1.45	1.52	1.53	1.53	1.53	1.53
G 46.0	1.29	1.30	1.37	1.39	1.39	1.39	1.39
G 47.0	1.15	1.16	1.23	1.27	1.27	1.26	1.25
G 48.0	1.03	1.04	1.09	1.15	1.15	1.14	1.12
G 49.0	0.92	0.92	0.97	1.04	1.05	1.02	1.00
G 50.0	0.82	0.82	0.86	0.94	0.94	0.91	0.89
G 51.0	0.72	0.72	0.76	0.86	0.85	0.80	0.78
G 52.0	0.64	0.63	0.67	0.78	0.76	0.70	0.68
G 53.0	0.56	0.56	0.59	0.70	0.67	0.61	0.59
G 54.0	0.49	0.49	0.52	0.62	0.59	0.53	0.51
G 55.0	0.42	0.42	0.46	0.55	0.52	0.45	0.43
G 56.0	0.36	0.36	0.40	0.48	0.45	0.39	0.35
G 57.0	0.30	0.31	0.35	0.42	0.39	0.33	0.28
G 58.0	0.25	0.26	0.30	0.36	0.34	0.27	0.23
G 59.0	0.20	0.22	0.26	0.31	0.29	0.21	0.18
G 60.0	0.16	0.19	0.23	0.26	0.24	0.17	0.14
G 61.0	0.13	0.15	0.19	0.21	0.20	0.13	0.10
G 62.0	0.10	0.12	0.17	0.18	0.16	0.09	0.07
G 63.0	0.07	0.10	0.14	0.14	0.13	0.06	0.05
G 64.0	0.05	0.08	0.12	0.11	0.10	0.04	0.03
G 65.0	0.03	0.06	0.10	0.09	0.07	0.03	0.02
G 66.0	0.02	0.05	0.08	0.07	0.05	0.02	0.02
G 67.0	0.02	0.03	0.06	0.05	0.03	0.01	0.01
G 68.0	0.02	0.02	0.05	0.04	0.02	0.01	0.01
G 69.0	0.02	0.02	0.03	0.03	0.01	0.01	0.01
G 70.0	0.02	0.01	0.03	0.02	0.01	0.01	0.01
G 71.0	0.01	0.01	0.02	0.02	0.01	0.01	0.01
G 72.0	0.01	0.01	0.01	0.01	0.01	0.01	0.01

**Luminaria**

Código 90-7187-14-60  
Nombre BENTO

**Ensayo**

Código 90-7187-14-60  
Nombre BENTO

Flujo Luminaria	903.79 lm	Potencia luminaria	14.70 W	Eficacia	61.48 lm/W	Eficiencia	100.00%
Flujo de Lámpara	903.79 lm	Valor Máximo	6577.26 cd/klm	Posición	C=0.00 G=1.00	CG	Bisimétrico

**Tabla de Intensidad Luminosa cd/klm      Tabla 2/2**

	C 0.00	C 15.00	C 30.00	C 45.00	C 60.00	C 75.00	C 90.00
G 73.0	0.01	0.01	0.01	0.01	0.01	0.01	0.01
G 74.0	0.01	0.01	0.01	0.01	0.01	0.01	0.01
G 75.0	0.01	0.01	0.01	0.01	0.01	0.01	0.01
G 76.0	0.01	0.01	0.01	0.01	0.01	0.01	0.01
G 77.0	0.01	0.01	0.01	0.01	0.01	0.01	0.01
G 78.0	0.01	0.01	0.01	0.01	0.01	0.01	0.01
G 79.0	0.01	0.01	0.01	0.01	0.01	0.01	0.01
G 80.0	0.01	0.01	0.01	0.01	0.01	0.01	0.01
G 81.0	0.01	0.01	0.01	0.01	0.01	0.01	0.01
G 82.0	0.01	0.01	0.01	0.01	0.01	0.01	0.01
G 83.0	0.01	0.01	0.01	0.01	0.01	0.01	0.01
G 84.0	0.01	0.01	0.01	0.01	0.01	0.01	0.01
G 85.0	0.01	0.01	0.01	0.01	0.01	0.01	0.01
G 86.0	0.01	0.01	0.01	0.01	0.01	0.01	0.01
G 87.0	0.01	0.01	0.01	0.01	0.01	0.01	0.01
G 88.0	0.01	0.01	0.01	0.01	0.01	0.01	0.01
G 89.0	0.01	0.01	0.01	0.01	0.01	0.01	0.01
G 90.0	0.01	0.01	0.01	0.01	0.01	0.01	0.01

# LEDS C4<sup>®</sup>

## Luminaria

Código 90-7187-14-60  
Nombre BENTO

## Ensayo

Código 90-7187-14-60  
Nombre BENTO

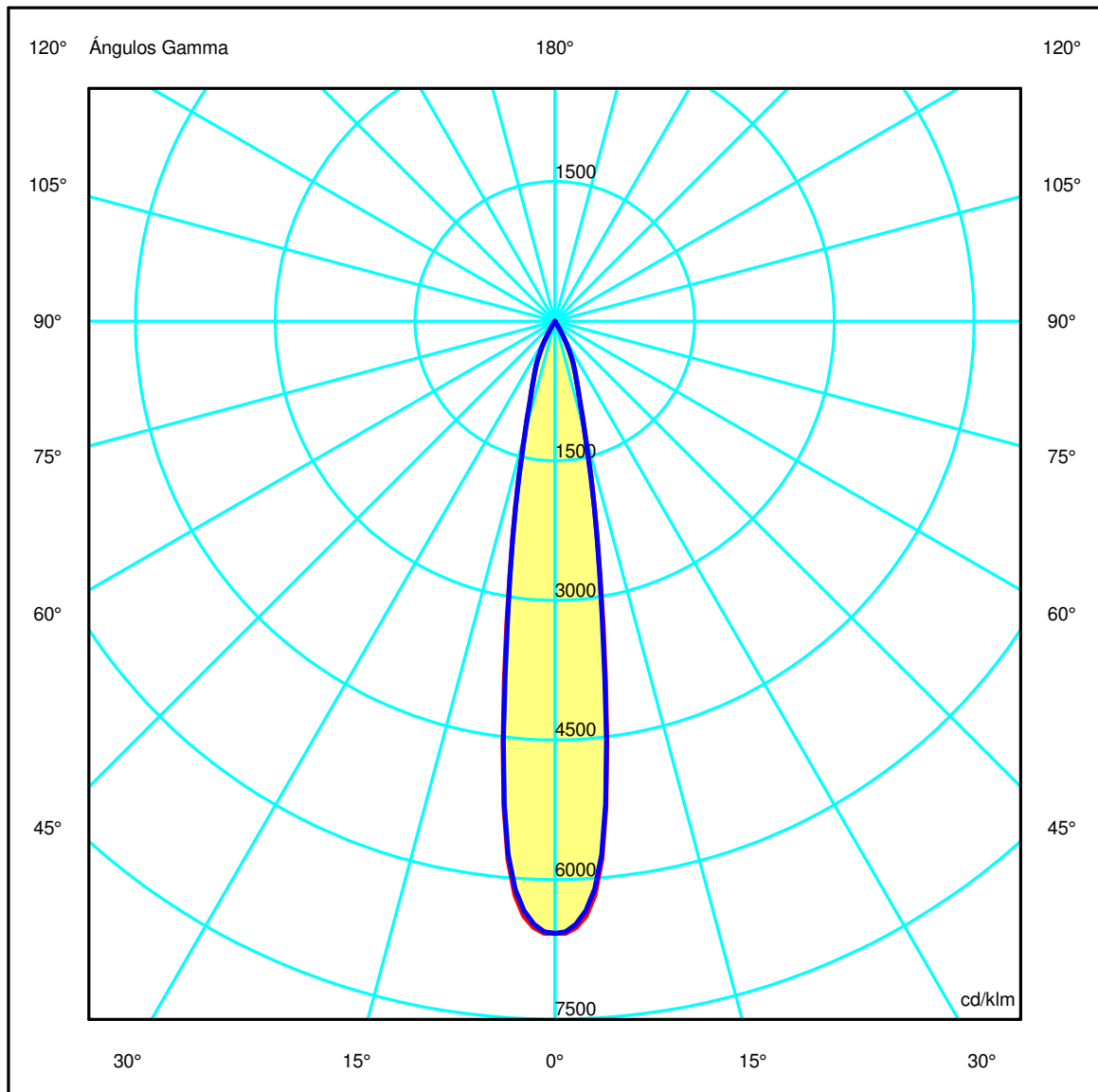
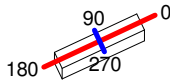
Flujo Luminaria	903.79 lm	Potencia luminaria	14.70 W	Eficacia	61.48 lm/W	Eficiencia	100.00%
Flujo de Lámpara	903.79 lm	Valor Máximo	6577.26 cd/klm	Posición	C=0.00 G=1.00	CG	Bisimétrico

36mm x 185mm

Semiplanos C

180.0 ——— 0.0

270.0 ——— 90.0



# LEDS C4<sup>®</sup>

## Luminaria

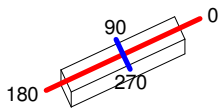
Código 90-7187-14-60  
Nombre BENTO

## Ensayo

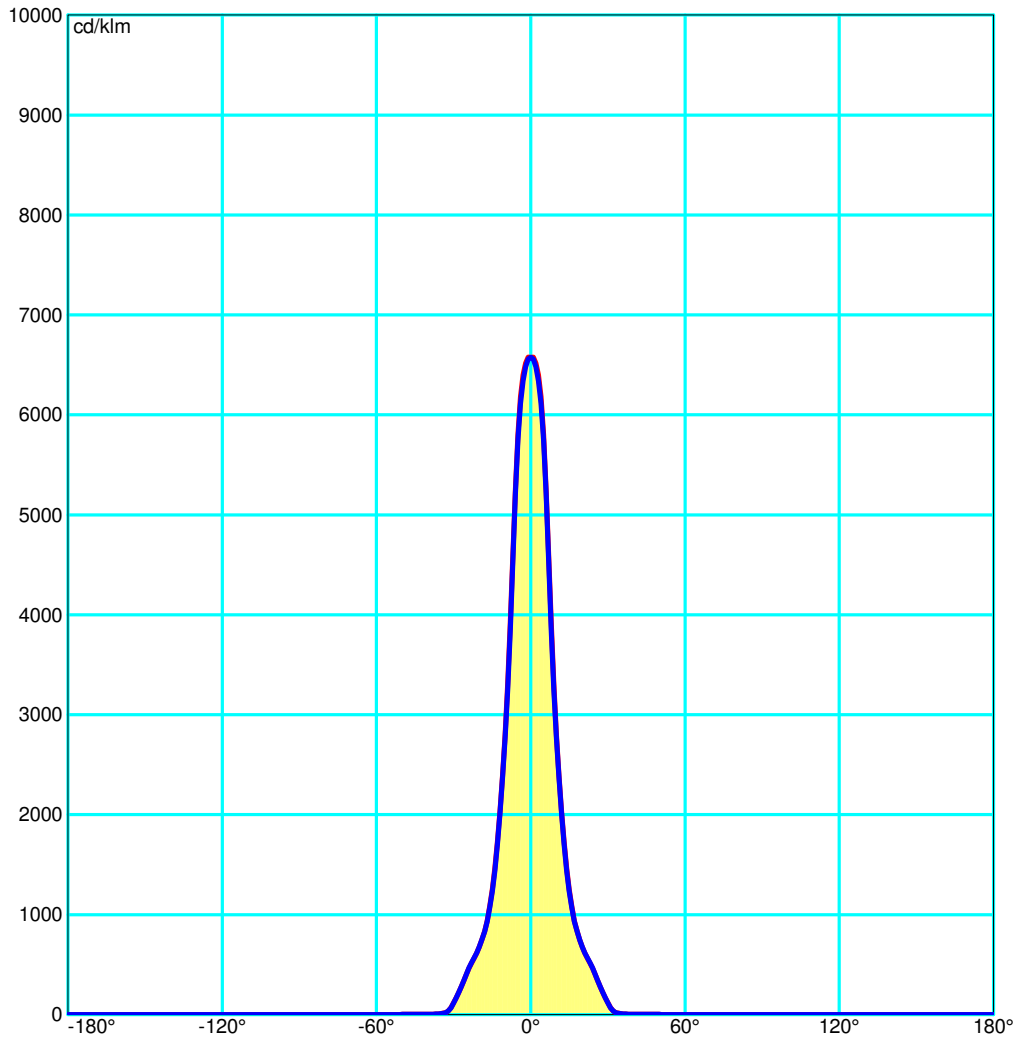
Código 90-7187-14-60  
Nombre BENTO

Flujo Luminaria	903.79 lm	Potencia luminaria	14.70 W	Eficacia	61.48 lm/W	Eficiencia	100.00%
Flujo de Lámpara	903.79 lm	Valor Máximo	6577.26 cd/klm	Posición	C=0.00 G=1.00	CG	Bisimétrico

36mm x 185mm



Semiplanos C  
180.0 ——— 0.0  
270.0 ——— 90.0



**Luminaria**

Código 90-7187-14-60  
Nombre BENTO

**Ensayo**

Código 90-7187-14-60  
Nombre BENTO

Flujo Luminaria	903.79 lm	Potencia luminaria	14.70 W	Eficacia	61.48 lm/W	Eficiencia	100.00%
Flujo de Lámpara	903.79 lm	Valor Máximo	6577.26 cd/klm	Posición	C=0.00 G=1.00	CG	Bisimétrico

**UGR**  
S = 0.250

Reflectancias										
Ceiling/Cavity	0.7	0.7	0.5	0.5	0.3	0.7	0.7	0.5	0.5	0.3
Walls	0.5	0.3	0.5	0.3	0.3	0.5	0.3	0.5	0.3	0.3
WorkingPlane	0.2	0.2	0.2	0.2	0.2	0.2	0.2	0.2	0.2	0.2
RoomDimensions	Viewed Crosswise					Viewed Endwise				
x=2H y=2H	< 0	< 0	< 0	< 0	< 0	< 0	< 0	< 0	< 0	< 0
x=2H y=3H	< 0	< 0	< 0	< 0	< 0	< 0	< 0	< 0	< 0	< 0
x=2H y=4H	< 0	< 0	< 0	< 0	< 0	< 0	< 0	< 0	< 0	< 0
x=2H y=6H	< 0	< 0	< 0	< 0	< 0	< 0	< 0	< 0	< 0	< 0
x=2H y=8H	< 0	< 0	< 0	< 0	< 0	< 0	< 0	< 0	< 0	< 0
x=2H y=12H	< 0	< 0	< 0	< 0	< 0	< 0	< 0	< 0	< 0	< 0
x=4H y=2H	< 0	< 0	< 0	< 0	< 0	< 0	< 0	< 0	< 0	< 0
x=4H y=3H	< 0	< 0	< 0	< 0	< 0	< 0	< 0	< 0	< 0	< 0
x=4H y=4H	< 0	< 0	< 0	< 0	< 0	< 0	< 0	< 0	< 0	< 0
x=4H y=6H	< 0	< 0	< 0	< 0	< 0	< 0	< 0	< 0	< 0	< 0
x=4H y=8H	< 0	< 0	< 0	< 0	< 0	< 0	< 0	< 0	< 0	< 0
x=4H y=12H	< 0	< 0	< 0	< 0	< 0	< 0	< 0	< 0	< 0	< 0
x=8H y=4H	< 0	< 0	< 0	< 0	< 0	< 0	< 0	< 0	< 0	< 0
x=8H y=6H	< 0	< 0	< 0	< 0	< 0	< 0	< 0	< 0	< 0	< 0
x=8H y=8H	< 0	< 0	< 0	< 0	< 0	< 0	< 0	< 0	< 0	< 0
x=8H y=12H	< 0	< 0	< 0	< 0	< 0	< 0	< 0	< 0	< 0	< 0
x=12H y=4H	< 0	< 0	< 0	< 0	< 0	< 0	< 0	< 0	< 0	< 0
x=12H y=6H	< 0	< 0	< 0	< 0	< 0	< 0	< 0	< 0	< 0	< 0
x=12H y=8H	< 0	< 0	< 0	< 0	< 0	< 0	< 0	< 0	< 0	< 0

## Luminaria

Código 90-7187-14-60  
Nombre BENTO

## Ensayo

Código 90-7187-14-60  
Nombre BENTO

Flujo Luminaria	903.79 lm	Potencia luminaria	14.70 W	Eficacia	61.48 lm/W	Eficiencia	100.00%
Flujo de Lámpara	903.79 lm	Valor Máximo	6577.26 cd/klm	Posición	C=0.00 G=1.00	CG	Bisimétrico

Flujo Total=903.79 Flujo Luminaria=903.79

RI	0.60	0.80	1.00	1.25	1.50	2.00	2.50	3.00	4.00	5.00	10.00	20.00
DRR	0.74	0.78	0.83	0.86	0.89	0.93	0.96	0.98	0.99	1.00	1.02	1.02
RC	-	-	-	-	-	-	-	-	-	-	-	-

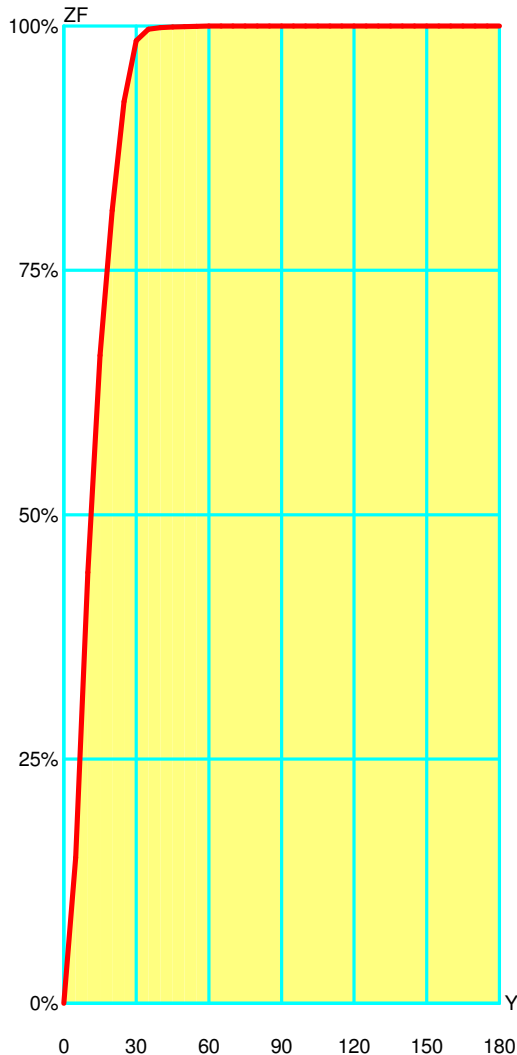
Flujo Zonal por 1000 Lúmenes

Y°	10	20	30	40	50	60	70	80	90	100	110	120	130	140	150	160	170	180
ZF(Y)	441	811	985	998	999	1000	1000	1000	1000	1000	1000	1000	1000	1000	1000	1000	1000	1000

Códigos de Flujo C.I.E.

100 100 100 100 100

C.I.E.	-/-/-/-/-/-/-/-/-/-	LOR	100.00000 %
D DIN 5040	A60	ULOR	0.00000 %
F UTE	--	DLOR	100.00000 %
B NBN	BZ 1	UFF	0.00000 %
RN	0.00000 %	DFF	100.00000 %
BLF	1.0	FFR	0.00000 %



Flujo Zonal				
Gamma °	Flujo	Suma lm	Flujo [%]	Suma [%]
0°	0.00	0.00	0.00%	0.00 %
5°	148.92	148.92	14.89 %	14.89 %
10°	292.04	440.96	29.20 %	44.10 %
15°	221.90	662.86	22.19 %	66.29 %
20°	148.33	811.19	14.83 %	81.12 %
25°	111.47	922.66	11.15 %	92.27 %
30°	62.25	984.91	6.22 %	98.49 %
35°	11.76	996.67	1.18 %	99.67 %
40°	1.59	998.26	0.16 %	99.83 %
45°	0.72	998.98	0.07 %	99.90 %
50°	0.47	999.46	0.05 %	99.95 %
55°	0.29	999.75	0.03 %	99.97 %
60°	0.15	999.90	0.02 %	99.99 %
65°	0.06	999.96	0.01 %	100.00 %
70°	0.02	999.97	0.00 %	100.00 %
75°	0.01	999.98	0.00 %	100.00 %
80°	0.01	999.99	0.00 %	100.00 %
85°	0.01	999.99	0.00 %	100.00 %
90°	0.01	1000.00	0.00 %	100.00 %
95°	0.00	1000.00	0.00 %	100.00 %
100°	0.00	1000.00	0.00 %	100.00 %
105°	0.00	1000.00	0.00 %	100.00 %
110°	0.00	1000.00	0.00 %	100.00 %
115°	0.00	1000.00	0.00 %	100.00 %
120°	0.00	1000.00	0.00 %	100.00 %
125°	0.00	1000.00	0.00 %	100.00 %
130°	0.00	1000.00	0.00 %	100.00 %
135°	0.00	1000.00	0.00 %	100.00 %
140°	0.00	1000.00	0.00 %	100.00 %
145°	0.00	1000.00	0.00 %	100.00 %
150°	0.00	1000.00	0.00 %	100.00 %
155°	0.00	1000.00	0.00 %	100.00 %
160°	0.00	1000.00	0.00 %	100.00 %
165°	0.00	1000.00	0.00 %	100.00 %
170°	0.00	1000.00	0.00 %	100.00 %
175°	0.00	1000.00	0.00 %	100.00 %
180°	0.00	1000.00	0.00 %	100.00 %



**Luminaria**

 Código 90-7187-14-60  
 Nombre BENTO

**Ensayo**

 Código 90-7187-14-60  
 Nombre BENTO

Flujo Luminaria	903.79 lm	Potencia luminaria	14.70 W	Eficacia	61.48 lm/W	Eficiencia	100.00%
Flujo de Lámpara	903.79 lm	Valor Máximo	6577.26 cd/klm	Posición	C=0.00 G=1.00	CG	Bisimétrico

## Utilización CIE

Montaje	Directo	Normalización										Normalizados										Raz. de Susp. 1/3			CIE Estándar		
Techo																											
K	8873	8773	8871	8771	7773	7771	7753	7553	7751	7551	7731	7331	7711	7111	5551	5531	5331	5511	5111	3331	3311	1111	0000				
0.60	159	143	88	79	136	76	93	79	49	42	31	23	18	12	39	25	22	14	12	21	12	11	0				
0.80	193	177	96	89	168	85	123	107	59	52	40	32	25	19	48	33	30	21	18	28	18	16	0				
1.00	216	201	98	91	191	88	147	131	64	57	46	38	33	25	54	39	36	28	24	34	25	22	0				
1.25	239	225	100	94	214	91	172	156	70	64	53	45	40	32	60	46	43	35	31	41	31	28	0				
1.50	257	244	100	96	233	92	193	177	74	68	59	51	46	38	64	52	49	41	37	46	37	34	0				
2.00	281	270	98	95	257	92	224	209	78	73	66	60	57	49	70	60	57	51	47	54	47	44	0				
2.50	297	287	96	93	274	91	246	233	80	77	72	66	64	57	73	66	63	59	55	60	55	51	0				
3.00	308	300	94	92	286	89	263	250	82	79	76	70	70	63	75	70	67	65	61	65	61	57	0				
4.00	325	318	94	93	304	91	286	276	86	83	82	77	78	72	80	76	74	73	70	72	69	65	0				
5.00	336	330	95	94	316	91	302	293	88	86	86	82	83	78	83	81	79	79	75	77	75	71	0				
10.00	360	357	96	95	343	94	337	332	94	93	95	92	95	92	90	91	90	91	89	87	88	85	0				
20.00	374	372	98	97	358	96	357	354	98	97	100	99	102	100	95	97	96	99	98	94	96	93	0				

Pared																							
K	8873	8773	8871	8771	7773	7771	7753	7553	7751	7551	7731	7331	7711	7111	5551	5531	5331	5511	5111	3331	3311	1111	0000
0.60	273	264	183	179	260	176	205	198	142	139	119	116	103	101	138	117	116	101	100	115	101	100	77
0.80	305	296	195	191	288	188	235	227	156	153	134	131	118	115	150	131	129	115	114	128	114	113	86
1.00	319	309	191	187	300	184	250	241	157	154	137	133	122	118	150	133	131	119	117	129	117	115	85
1.25	335	325	190	187	314	183	268	258	160	156	142	138	128	123	152	137	135	124	122	133	121	119	86
1.50	345	336	188	185	323	181	280	270	161	157	144	140	131	127	152	138	137	127	124	134	123	120	85
2.00	345	336	168	165	320	161	285	275	146	143	134	129	124	119	137	127	125	118	115	121	113	109	70
2.50	337	329	146	144	311	139	282	272	129	126	119	115	111	106	119	112	110	105	102	105	99	94	53
3.00	324	317	123	121	297	117	273	263	109	106	102	98	96	91	99	94	92	89	86	86	82	77	33
4.00	314	308	100	99	286	94	267	259	89	87	84	81	80	76	79	75	74	72	70	67	65	58	12
5.00	302	297	80	79	273	74	258	250	71	69	67	64	65	60	60	58	57	56	53	49	48	40	0
10.00	225	223	0	0	195	0	189	184	0	0	0	0	0	0	0	0	0	0	0	0	0	0	0
20.00	85	84	0	0	54	0	53	51	0	0	0	0	0	0	0	0	0	0	0	0	0	0	0

P.Trab.																							
K	8873	8773	8871	8771	7773	7771	7753	7553	7751	7551	7731	7331	7711	7111	5551	5531	5331	5511	5111	3331	3311	1111	0000
0.60	917	908	856	851	902	848	835	829	804	801	774	771	753	751	799	772	770	752	751	770	751	750	742
0.80	978	967	901	895	957	891	891	882	850	846	820	816	798	795	842	816	814	796	794	813	794	792	784
1.00	1000	1000	940	935	1000	930	945	935	894	890	867	862	846	842	885	861	859	842	840	856	839	837	829
1.25	1000	1000	970	965	1000	959	990	978	927	923	903	897	883	877	916	895	893	877	875	889	873	870	863
1.50	1000	1000	990	986	1000	979	1000	1000	951	947	929	923	910	904	939	920	917	904	900	912	898	894	887
2.00	1000	1000	1000	1000	1000	1000	1000	1000	991	987	974	967	959	952	977	963	960	950	946	953	943	936	930
2.50	1000	1000	1000	1000	1000	1000	1000	1000	1000	1000	1000	1000	1000	1000	1000	991	988	981	977	980	972	964	958
3.00	1000	1000	1000	1000	1000	1000	1000	1000	1000	1000	1000	1000	1000	1000	1000	1000	1000	1000	1000	1000	999	993	984
4.00	1000	1000	1000	1000	1000	1000	1000	1000	1000	1000	1000	1000	1000	1000	1000	1000	1000	1000	1000	1000	1000	1000	994
5.00	1000	1000	1000	1000	1000	1000	1000	1000	1000	1000	1000	1000	1000	1000	1000	1000	1000	1000	1000	1000	1000	1000	1000
10.00	1000	1000	1000	1000	1000	1000	1000	1000	1000	1000	1000	1000	1000	1000	1000	1000	1000	1000	1000	1000	1000	1000	1000
20.00	1000	1000	1000	1000	1000	1000	1000	1000	1000	1000	1000	1000	1000	1000	1000	1000	1000	1000	1000	1000	1000	1000	1000

LM53 SHR C0-C180: 0.308    SHR C90-C270: 0.299    SHR Superficial: 0.321

# LEDS C4<sup>2</sup>

## Luminaria

Código 90-7187-14-60  
Nombre BENTO

## Ensayo

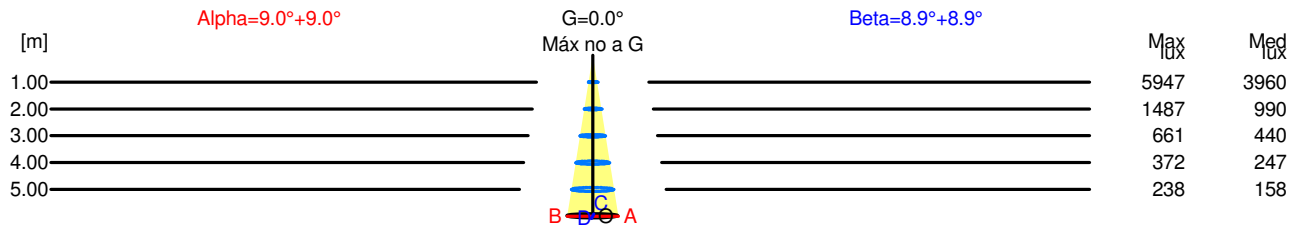
Código 90-7187-14-60  
Nombre BENTO

Flujo Luminaria	903.79 lm	Potencia luminaria	14.70 W	Eficacia	61.48 lm/W	Eficiencia	100.00%
Flujo de Lámpara	903.79 lm	Valor Máximo	6577.26 cd/klm	Posición	C=0.00 G=1.00	CG	Bisimétrico

### Apertura a 50.00 % de Max Intensidad

H[m]	1.00	2.00	3.00	4.00	5.00	H[m]	1.00	2.00	3.00	4.00	5.00
OA	0.16	0.32	0.48	0.64	0.80	OC	0.16	0.31	0.47	0.63	0.79
OB	0.16	0.32	0.48	0.64	0.80	OD	0.16	0.31	0.47	0.63	0.79

	Intensidades Luminosas [ cd/klm]									
	0	5	15	25	35	45	55	65	75	85
OA	5941.26	5244.13	1129.95	363.63	8.86	1.30	0.38	0.03	0.01	0.01
OB	5941.26	5244.13	1129.95	363.63	8.86	1.30	0.38	0.03	0.01	0.01
OC	5941.26	5198.30	1112.67	364.57	8.42	1.38	0.39	0.02	0.01	0.01
OD	5941.26	5198.30	1112.67	364.57	8.42	1.38	0.39	0.02	0.01	0.01



H[m]	D[m]	Max lux	Med lux	Alpha=9.0°+9.0°	G=0.0 Máx no a G
1.00	0.32	5947	3960		
2.00	0.64	1487	990		
3.00	0.95	661	440		
4.00	1.27	372	247		
5.00	1.59	238	158		

H[m]	D[m]	Max lux	Med lux	Beta=8.9°+8.9°	G=0.0 Máx no a G
1.00	0.31	5947	3960		
2.00	0.63	1487	990		
3.00	0.94	661	440		
4.00	1.26	372	247		
5.00	1.57	238	158		

**Luminaria**

Código 90-7187-14-60  
Nombre BENTO

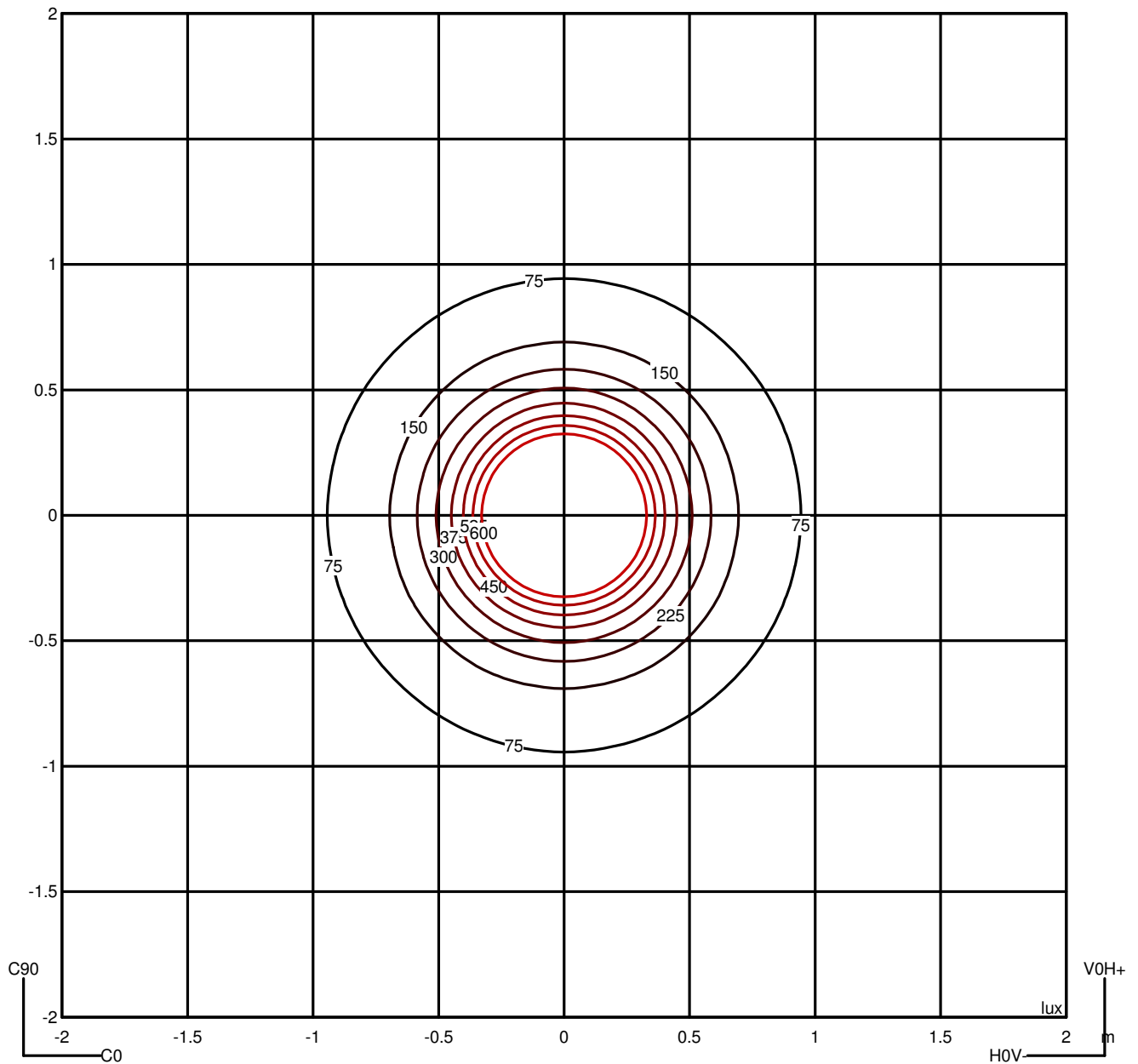
**Ensayo**

Código 90-7187-14-60  
Nombre BENTO

Flujo Luminaria	903.79 lm	Potencia luminaria	14.70 W	Eficacia	61.48 lm/W	Eficiencia	100.00%
Flujo de Lámpara	903.79 lm	Valor Máximo	6577.26 cd/klm	Posición	C=0.00 G=1.00	CG	Bisimétrico

Isolux (Suelo)

Posición Luminaria X=0.00m Y=0.00m Z=2.50m



# LEDS C4<sup>®</sup>

**Luminaria**

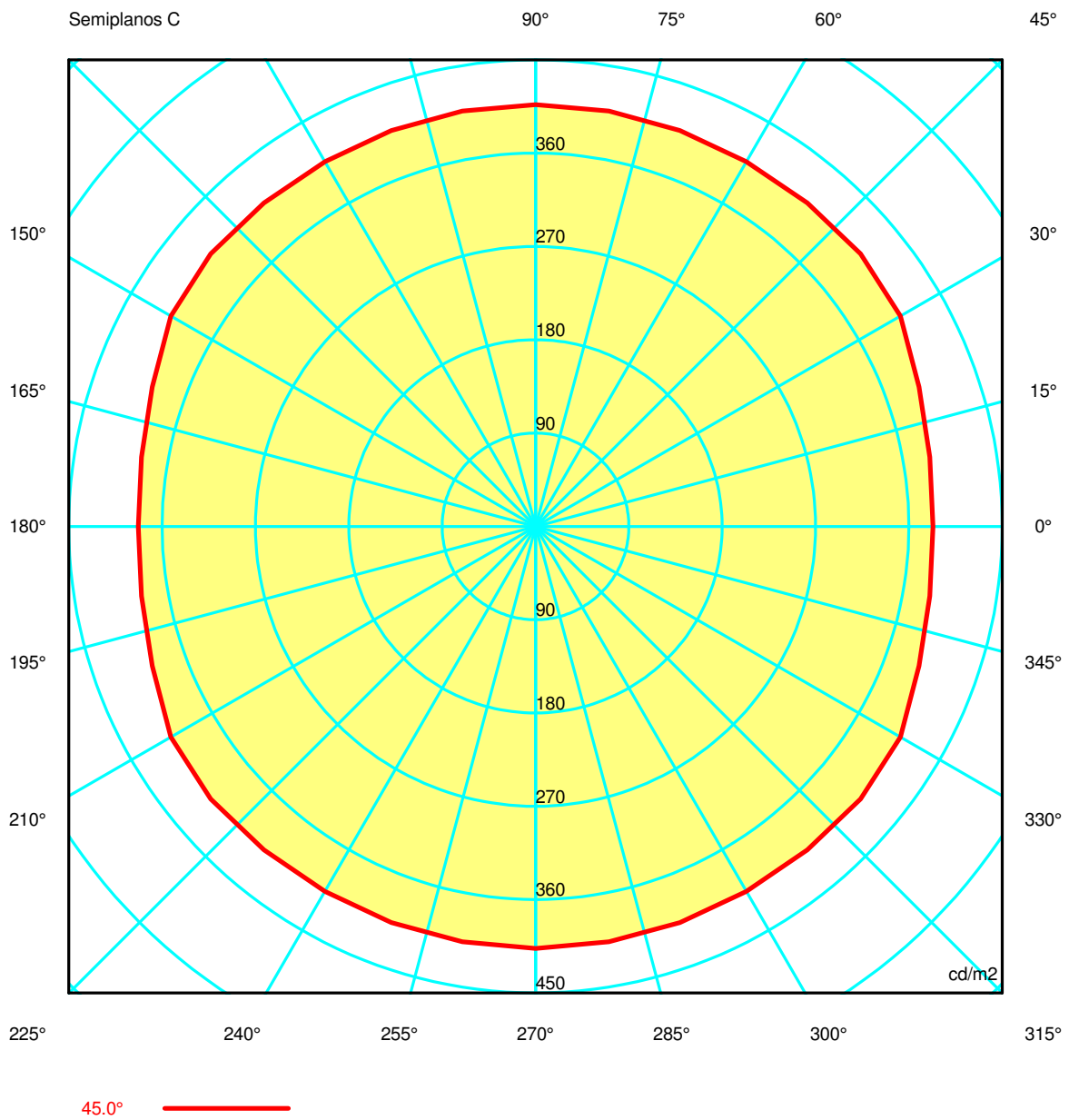
Código 90-7187-14-60  
Nombre BENTO

**Ensayo**

Código 90-7187-14-60  
Nombre BENTO

Flujo Luminaria	903.79 lm	Potencia luminaria	14.70 W	Eficacia	61.48 lm/W	Eficiencia	100.00%
Flujo de Lámpara	903.79 lm	Valor Máximo	6577.26 cd/klm	Posición	C=0.00 G=1.00	CG	Bisimétrico

Luminancia



**Luminaria**

Código 90-7187-14-60

Nombre BENTO

**Ensayo**

Código 90-7187-14-60

Nombre BENTO

Flujo Luminaria	903.79 lm	Potencia luminaria	14.70 W	Eficacia	61.48 lm/W	Eficiencia	100.00%
Flujo de Lámpara	903.79 lm	Valor Máximo	6577.26 cd/klm	Posición	C=0.00 G=1.00	CG	Bisimétrico

**Luminance cd/m2 Tabla 1/3**

	C 0.00	C 10.00	C 20.00	C 30.00	C 40.00	C 50.00	C 60.00	C 70.00	C 80.00	C 90.00	C 100.00	C 110.00	C 120.00
G 0.0	1237761.60	1237761.60	1237761.60	1237761.60	1237761.60	1237761.60	1237761.60	1237761.60	1237761.60	1237761.60	1237761.60	1237761.60	1237761.60
G 5.0	1096700.98	1095271.97	1094251.81	1094144.90	1094468.57	1093611.00	1091086.89	1090536.35	1089596.77	1087116.92	1089596.77	1090536.35	1091086.89
G 10.0	535621.89	534244.55	533998.46	533971.75	532319.05	531400.53	531371.81	530118.64	529467.64	530175.03	529467.64	530118.64	531371.81
G 15.0	243710.68	243173.66	243168.71	243512.10	243511.76	243256.73	242638.95	241424.65	240442.37	239983.91	240442.37	241424.65	242638.95
G 20.0	135160.54	134915.49	134916.51	135057.40	134995.99	134837.05	134737.31	134766.14	134897.87	135081.98	134897.87	134766.14	134737.31
G 25.0	83586.67	83426.23	83285.55	83212.42	83243.37	83267.74	83333.52	83584.12	83772.56	83803.08	83772.56	83584.12	83333.52
G 30.0	25241.39	24615.32	24420.54	24336.41	23720.21	23562.19	24041.86	24337.47	24523.63	24741.49	24523.63	24337.47	24041.86
G 35.0	2253.50	2300.86	2369.29	2414.01	2362.71	2290.34	2240.10	2193.19	2159.42	2140.39	2159.42	2193.19	2240.10
G 40.0	607.98	610.20	613.50	616.11	615.11	614.35	615.29	615.78	615.64	615.20	615.64	615.78	615.29
G 45.0	383.12	385.89	393.29	406.02	409.00	407.35	406.36	406.43	406.78	406.96	406.78	406.43	406.36
G 50.0	239.73	239.83	242.26	252.81	269.77	279.22	276.32	268.52	263.08	261.58	263.08	268.52	276.32
G 55.0	137.68	138.38	140.16	149.92	172.35	181.69	170.44	155.19	144.87	140.12	144.87	155.19	170.44
G 60.0	59.96	65.82	74.68	85.67	94.42	97.98	91.49	72.56	57.14	50.98	57.14	72.56	91.49
G 65.0	15.58	22.21	33.38	43.77	42.95	38.61	31.98	17.85	10.84	8.94	10.84	17.85	31.98
G 70.0	8.43	7.24	9.88	13.80	12.56	9.15	6.89	6.74	6.79	6.94	6.79	6.74	6.89
G 75.0	10.46	9.77	9.21	8.85	8.65	8.62	8.64	8.62	8.69	8.94	8.69	8.62	8.64
G 80.0	14.75	13.95	13.17	12.51	12.08	11.90	11.87	11.83	11.84	11.95	11.84	11.83	11.87
G 85.0	27.65	26.21	24.65	23.22	22.37	21.95	21.71	21.46	21.35	21.32	21.35	21.46	21.71
G 90.0	0.00	0.00	0.00	0.00	0.00	0.00	0.00	0.00	0.00	0.00	0.00	0.00	0.00

**Luminaria**

Código 90-7187-14-60

Nombre BENTO

**Ensayo**

Código 90-7187-14-60

Nombre BENTO

Flujo Luminaria	903.79 lm	Potencia luminaria	14.70 W	Eficacia	61.48 lm/W	Eficiencia	100.00%
Flujo de Lámpara	903.79 lm	Valor Máximo	6577.26 cd/klm	Posición	C=0.00 G=1.00	CG	Bisimétrico

**Luminance cd/m2 Tabla 2/3**

	C 130.00	C 140.00	C 150.00	C 160.00	C 170.00	C 180.00	C 190.00	C 200.00	C 210.00	C 220.00	C 230.00	C 240.00	C 250.00
G 0.0	1237761.60	1237761.60	1237761.60	1237761.60	1237761.60	1237761.60	1237761.60	1237761.60	1237761.60	1237761.60	1237761.60	1237761.60	1237761.60
G 5.0	1093611.00	1094468.57	1094144.90	1094251.81	1095271.97	1096700.98	1095271.97	1094251.81	1094144.90	1094468.57	1093611.00	1091086.89	1090536.35
G 10.0	531400.53	532319.05	533971.75	533998.46	534244.55	535621.89	534244.55	533998.46	533971.75	532319.05	531400.53	531371.81	530118.64
G 15.0	243256.73	243511.76	243512.10	243168.71	243173.66	243710.68	243173.66	243168.71	243512.10	243511.76	243256.73	242638.95	241424.65
G 20.0	134837.05	134995.99	135057.40	134916.51	134915.49	135160.54	134915.49	134916.51	135057.40	134995.99	134837.05	134737.31	134766.14
G 25.0	83267.74	83243.37	83212.42	83285.55	83426.23	83566.67	83426.23	83285.55	83212.42	83243.37	83267.74	83333.52	83584.12
G 30.0	23562.19	23720.21	24336.41	24420.54	24615.32	25241.39	24615.32	24420.54	24336.41	23720.21	23562.19	24041.86	24337.47
G 35.0	2290.34	2362.71	2414.01	2369.29	2300.86	2253.50	2300.86	2369.29	2414.01	2362.71	2290.34	2240.10	2193.19
G 40.0	614.35	615.11	616.11	613.50	610.20	607.98	610.20	613.50	616.11	615.11	614.35	615.29	615.78
G 45.0	407.35	409.00	406.02	393.29	385.89	383.12	385.89	393.29	406.02	409.00	407.35	406.36	406.43
G 50.0	279.22	269.77	252.81	242.26	239.83	239.73	239.83	242.26	252.81	269.77	279.22	276.32	268.52
G 55.0	181.69	172.35	149.92	140.16	138.38	137.68	138.38	140.16	149.92	172.35	181.69	170.44	155.19
G 60.0	97.98	94.42	85.67	74.68	65.82	59.96	65.82	74.68	85.67	94.42	97.98	91.49	72.56
G 65.0	38.61	42.95	43.77	33.38	22.21	15.58	22.21	33.38	43.77	42.95	38.61	31.98	17.85
G 70.0	9.15	12.56	13.80	9.88	7.24	8.43	7.24	9.88	13.80	12.56	9.15	6.89	6.74
G 75.0	8.62	8.65	8.85	9.21	9.77	10.46	9.77	9.21	8.85	8.65	8.62	8.64	8.62
G 80.0	11.90	12.08	12.51	13.17	13.95	14.75	13.95	13.17	12.51	12.08	11.90	11.87	11.83
G 85.0	21.95	22.37	23.22	24.65	26.21	27.65	26.21	24.65	23.22	22.37	21.95	21.71	21.46
G 90.0	0.00	0.00	0.00	0.00	0.00	0.00	0.00	0.00	0.00	0.00	0.00	0.00	0.00

**Luminaria**

Código 90-7187-14-60

Nombre BENTO

**Ensayo**

Código 90-7187-14-60

Nombre BENTO

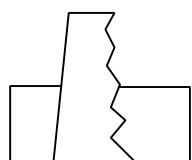
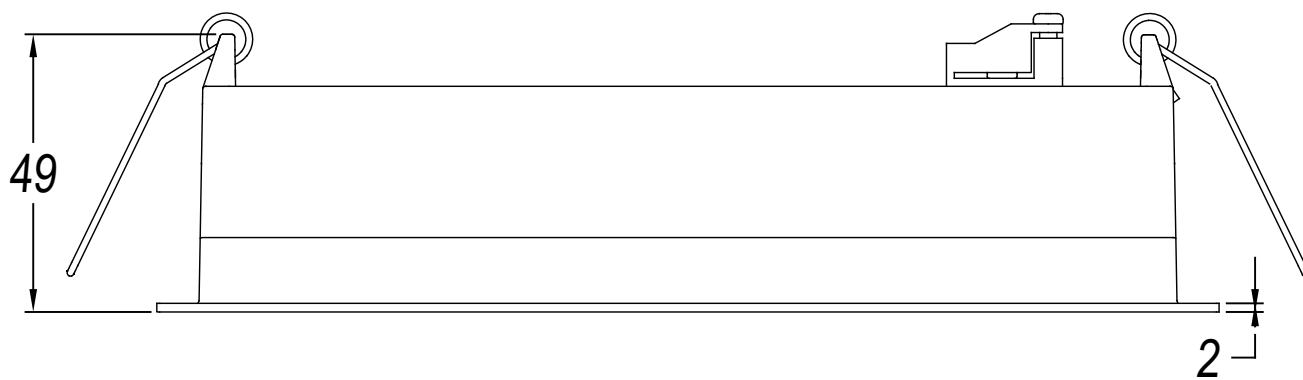
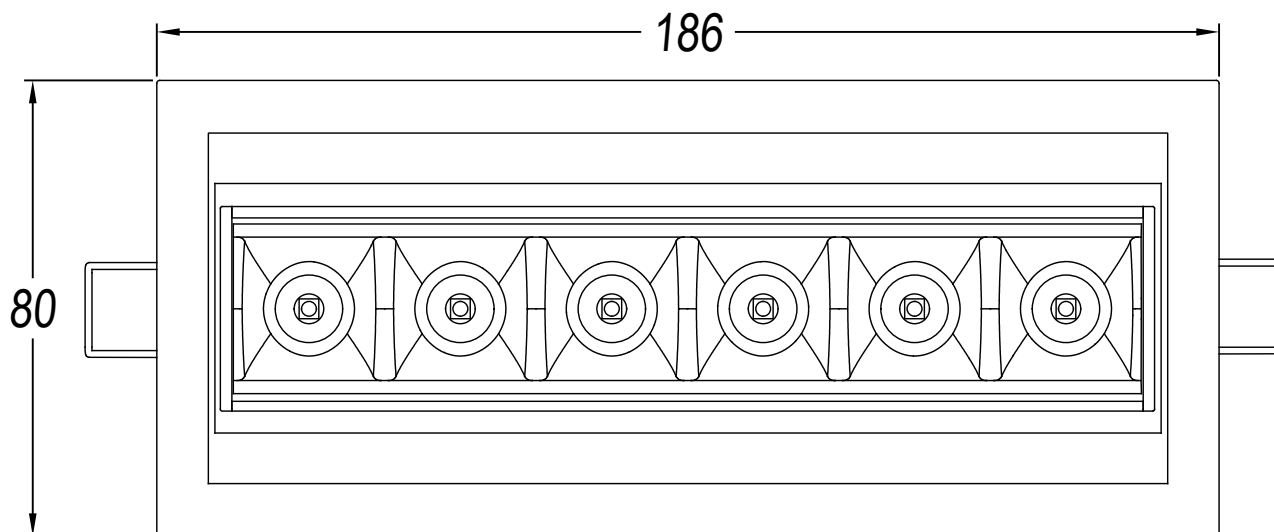
Flujo Luminaria	903.79 lm	Potencia luminaria	14.70 W	Eficacia	61.48 lm/W	Eficiencia	100.00%
Flujo de Lámpara	903.79 lm	Valor Máximo	6577.26 cd/klm	Posición	C=0.00 G=1.00	CG	Bisimétrico

**Luminance cd/m2 Tabla 3/3**

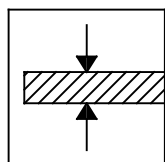
	C 260.00	C 270.00	C 280.00	C 290.00	C 300.00	C 310.00	C 320.00	C 330.00	C 340.00	C 350.00
G 0.0	1237761.60	1237761.60	1237761.60	1237761.60	1237761.60	1237761.60	1237761.60	1237761.60	1237761.60	1237761.60
G 5.0	1089596.77	1087116.92	1089596.77	1090536.35	1091086.89	1093611.00	1094468.57	1094144.90	1094251.81	1095271.97
G 10.0	529467.64	530175.03	529467.64	530118.64	531371.81	531400.53	532319.05	533971.75	533998.46	534244.55
G 15.0	240442.37	239983.91	240442.37	241424.65	242638.95	243256.73	243511.76	243512.10	243168.71	243173.66
G 20.0	134897.87	135081.98	134897.87	134766.14	134737.31	134837.05	134995.99	135057.40	134916.51	134915.49
G 25.0	83772.56	83803.08	83772.56	83584.12	83333.52	83267.74	83243.37	83212.42	83285.55	83426.23
G 30.0	24523.63	24741.49	24523.63	24337.47	24041.86	23562.19	23720.21	24336.41	24420.54	24615.32
G 35.0	2159.42	2140.39	2159.42	2193.19	2240.10	2290.34	2362.71	2414.01	2369.29	2300.86
G 40.0	615.64	615.20	615.64	615.78	615.29	614.35	615.11	616.11	613.50	610.20
G 45.0	406.78	406.96	406.78	406.43	406.36	407.35	409.00	406.02	393.29	385.89
G 50.0	263.08	261.58	263.08	268.52	276.32	279.22	269.77	252.81	242.26	239.83
G 55.0	144.87	140.12	144.87	155.19	170.44	181.69	172.35	149.92	140.16	138.38
G 60.0	57.14	50.98	57.14	72.56	91.49	97.98	94.42	85.67	74.68	65.82
G 65.0	10.84	8.94	10.84	17.85	31.98	38.61	42.95	43.77	33.38	22.21
G 70.0	6.79	6.94	6.79	6.74	6.89	9.15	12.56	13.80	9.88	7.24
G 75.0	8.69	8.94	8.69	8.62	8.64	8.62	8.65	8.85	9.21	9.77
G 80.0	11.84	11.95	11.84	11.83	11.87	11.90	12.08	12.51	13.17	13.95
G 85.0	21.35	21.32	21.35	21.46	21.71	21.95	22.37	23.22	24.65	26.21
G 90.0	0.00	0.00	0.00	0.00	0.00	0.00	0.00	0.00	0.00	0.00

# LEDS C4<sup>+</sup>

Bento Adjustable 6LED



70x175



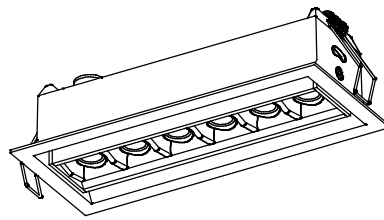
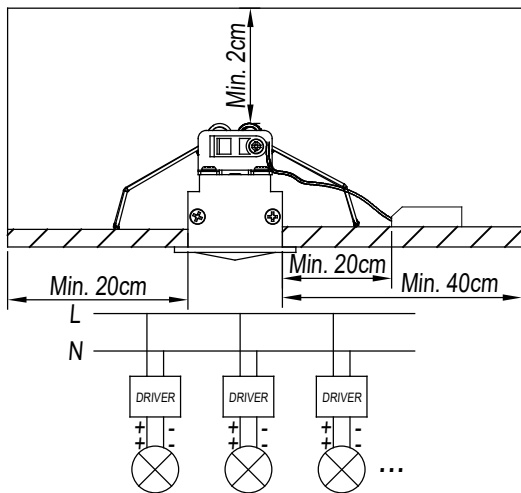
0-20mm

10/10/2018

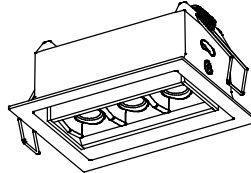
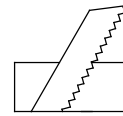


# LEDS C4<sup>+</sup>

## BENTO ADJUSTABLE

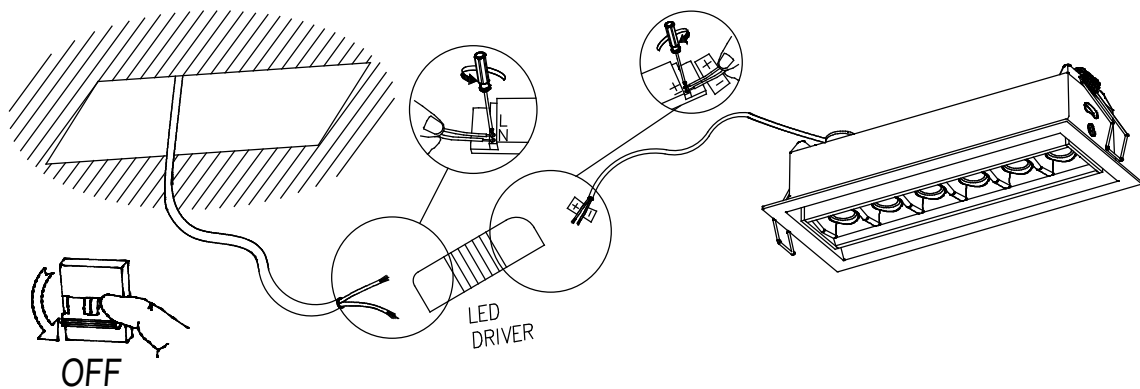


6LEDS: 70x175mm

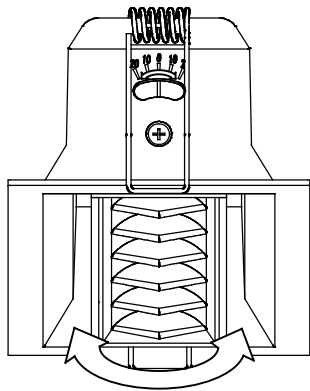


3LEDS: 70x96mm

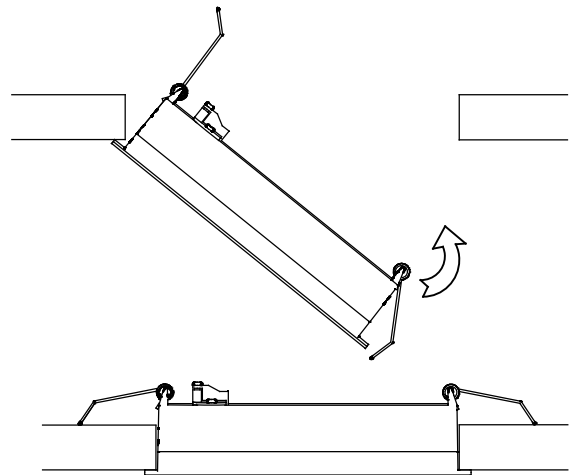
1



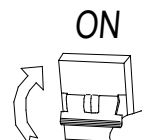
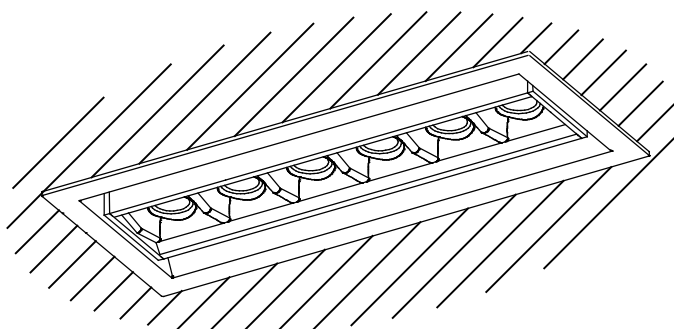
2



3



4



The light source of this luminaire is not replaceable; when the light source reaches its end of life the whole luminaire shall be replaced.