

DM-0094-14-00

V0

MULTIDIR Downlight recessed



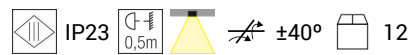
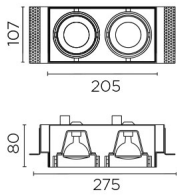
Description

Recessed for indoor use.

For downlighting. Cardan system for very easy alignment. Adjustable light source. Structure material: Steel, Injected aluminium. Structure finish: White. Warranty: 5 Years.

Finish
White

Material
Steel
Injected aluminium



TECHNICAL CHARACTERISTICS

Light source

Lampholder: 2 x GU5.3
Output (W): MAX 50W
Total power consumption (W): 100 W
Lamp maximum dimension: 55/ mm
Real Lumen: 1474
Quantity: 2
Lm/Real W: 15
UGR: 24.0

Luminaire

Warranty: 5 Years

Logistics

Energy Efficiency: NO BULB
EAN Code: 8435111057681
Net Weight (Kg): 1.835
Weight in Kg (packaged): 2.183
Packing: 290 x 160 x 255
Masterbox: 12

⌀ 206x108

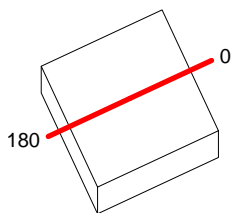
⚡ 0-25

The photograph may not match the reference exactly. Please read the product description to identify the finish.

Luminaire		Measur.		Lamp		
Code	DM-0094-14-00	Code	44870V.WFL/p95/791	Code	QR-CB 50W 60D	
Name	MULTIDIR	Name	MULTIDIR	Number	1	
Line	Eulumdat	Date	29-04-1994	Position		
Efficiency	100.00%	Coordinate system	CG	Total Flux	1474.00 lm	
Maximum value	1430.07 cd	Position	C=0.00 G=0.00	Rotosymmetrical		
Rectangular Luminaire	Length	50 mm	Width	50 mm	Height	10 mm
Rectangular Luminous Area	Length	50 mm	Width	50 mm	Height	0 mm
Horizontal Luminous Area	0.002500 m2	Emitting area on Plane 180°		0.000000 m2		
Emitting area on Plane 0°	0.000000 m2	Emitting area on Plane 270°		0.000000 m2		
Emitting area on Plane 90°	0.000000 m2	Glare area at 76°		0.000605 m2		
Symmetry Type	Rotosymmetrical	Maximum Gamma Angle		180		
Measurement Distance	0.00	Measurement Flux		1473.70 lm		
Operator		Source voltage				
Temperature	25.00 °C	Source current				
Humidity	60.00 %	Photocell				
Notes						

Luminaire Lamps						
Line	Code	Name	Flux [lm]	Pow. [W]	Q.ty	
Eulumdat	QR-CB 50W 60D	QR-CB 50W 60D - 50.00 W	1474.00	50.00	1	
C.I.E.	81 94 97 100 100	D DIN 5040		A60		
F UTE	1.00 B	B NBN		BZ 1 / 4 / BZ 2		

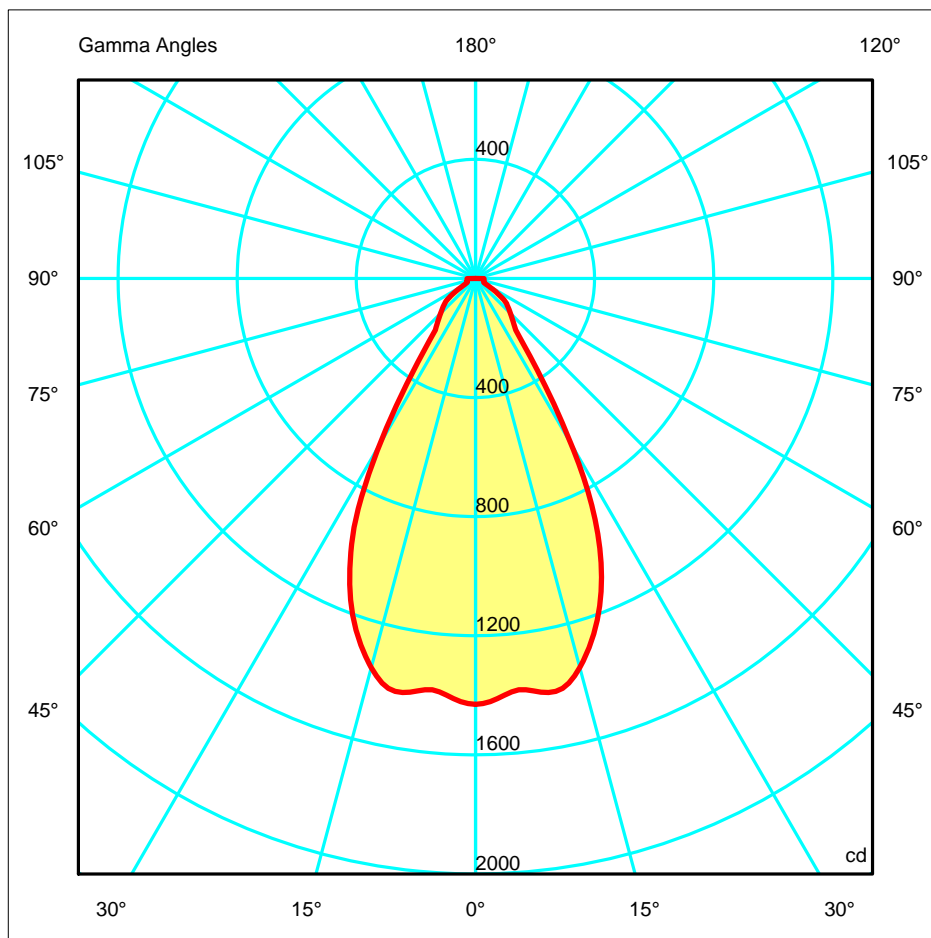
50mm x 50mm



C Halfplanes

180.0 ——— 0.0

ULOR 0.00 %
 DLOR 99.99 %
 RN 0.00 %

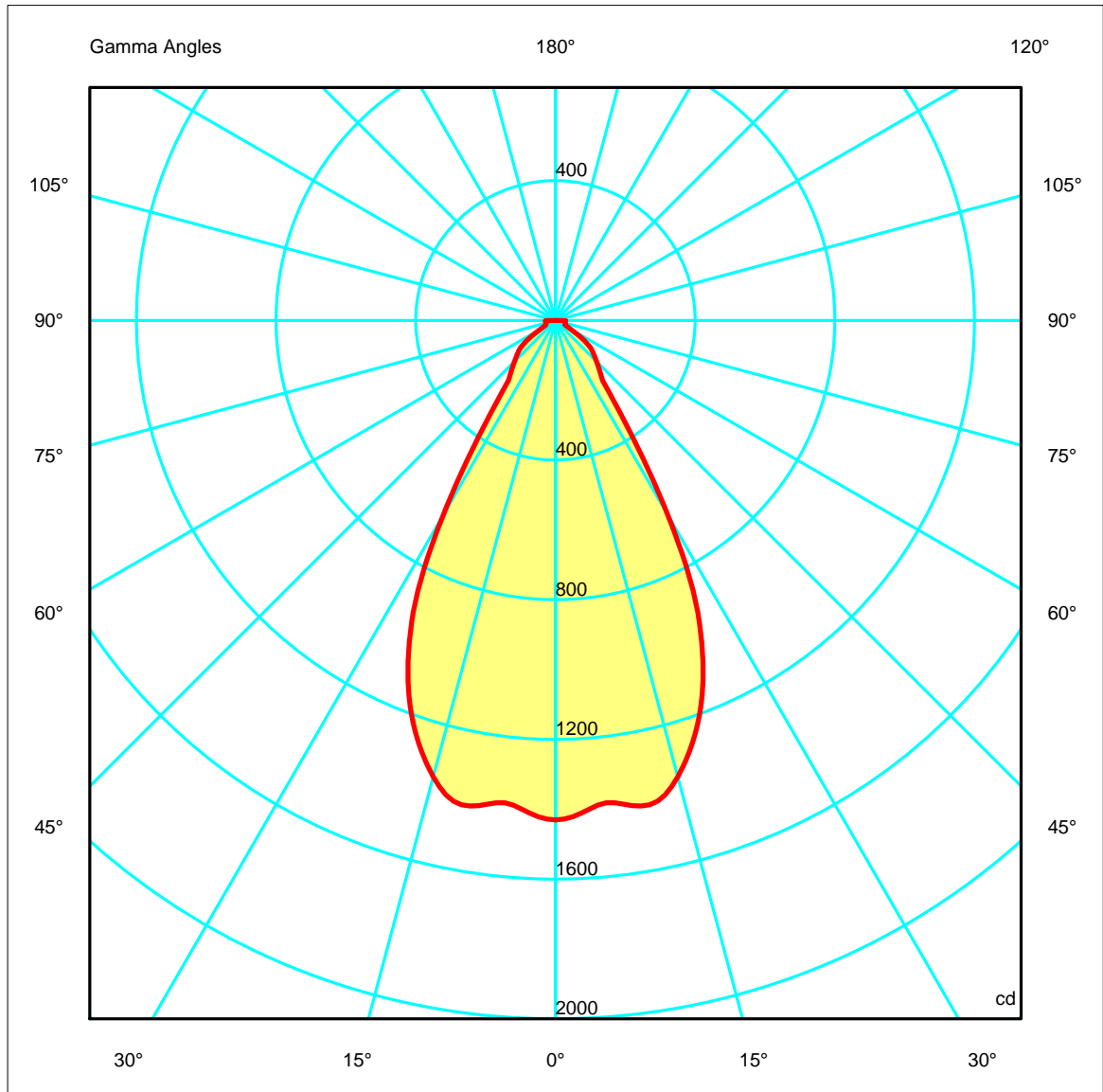
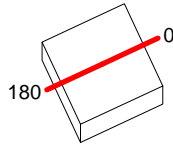


Luminaire		Measur.		Lamp	
Code	DM-0094-14-00	Code	44870V.WFL/p95/791	Code	QR-CB 50W 60D
Name	MULTIDIR	Name	MULTIDIR	Number	1
Line	Eulumdat	Date	29-04-1994	Position	
Efficiency	100.00%	Coordinate system	CG	Total Flux	1474.00 lm

50mm x 50mm

C Halfplanes

180.0  0.0



Luminaire	Measur.	Lamp
Code DM-0094-14-00	Code 44870V.WFL/p95/791	Code QR-CB 50W 60D
Name MULTIDIR	Name MULTIDIR	Number 1
Line Eulumdat	Date 29-04-1994	Position

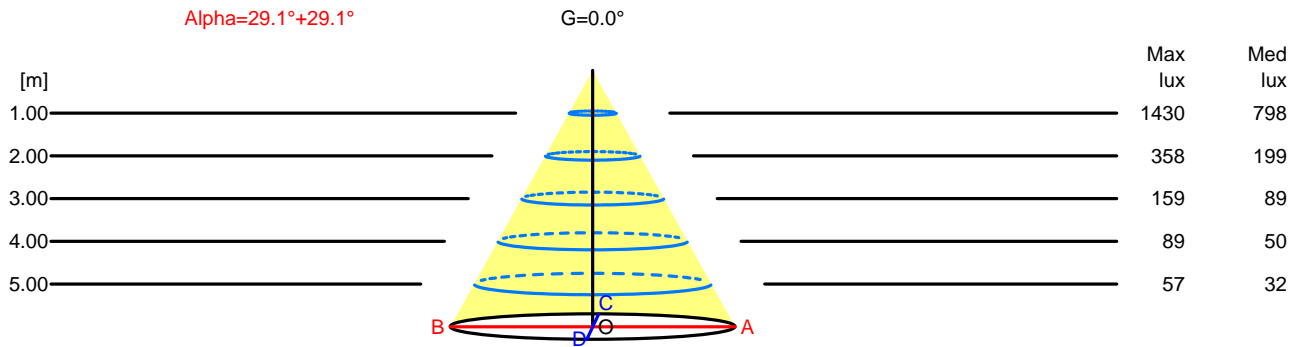
Efficiency	100.00%	Coordinate system	CG	Total Flux	1474.00 lm
------------	---------	-------------------	----	------------	------------

Width at 50.00 % of Max Intensity

H[m]	1.00	2.00	3.00	4.00	5.00	H[m]	1.00	2.00	3.00	4.00	5.00
OA	0.56	1.11	1.67	2.22	2.78	OC	0.56	1.11	1.67	2.22	2.78
OB	0.56	1.11	1.67	2.22	2.78	OD	0.56	1.11	1.67	2.22	2.78

Luminous Intensities [cd]

	0	5	15	25	35	45	55	65	75	85
OA	1430.07	1393.21	1352.52	983.80	319.63	165.56	100.69	30.52	28.75	28.60
OB	1430.07	1393.21	1352.52	983.80	319.63	165.56	100.69	30.52	28.75	28.60
OC	1430.07	1393.21	1352.52	983.80	319.63	165.56	100.69	30.52	28.75	28.60
OD	1430.07	1393.21	1352.52	983.80	319.63	165.56	100.69	30.52	28.75	28.60

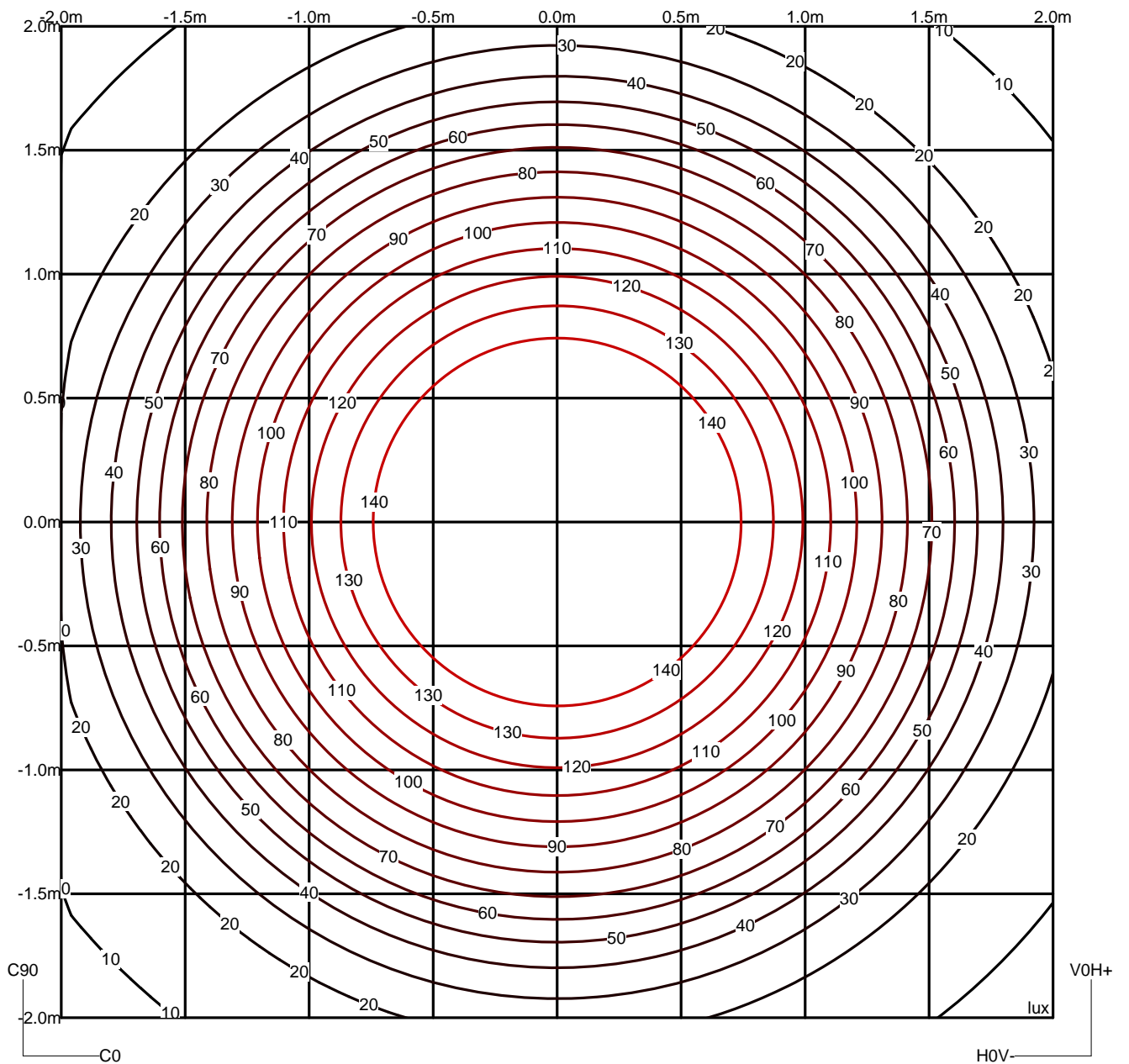


H[m]	D[m]	Max lux	Med lux	Alpha=29.1°+29.1°	G=0.0	
1.00	1.11	1430	798			
2.00	2.22	358	199			
3.00	3.33	159	89			
4.00	4.44	89	50			
5.00	5.56	57	32			

Luminaire		Measuram.		Lamp	
Code	DM-0094-14-00	Code	44870V.WFL/p95/791	Code	QR-CB 50W 60D
Name	MULTIDIR	Name	MULTIDIR	Number	1
Line	Eulumdat	Date	29-04-1994	Position	
Efficiency	100.00%	Coordinate system	CG	Total Flux	1474.00 lm

Isolux (Floor)

Luminaire position X=0.00m Y=0.00m Z=3.00m



Luminaire
 Code DM-0094-14-00
 Name MULTIDIR
 Line Eulumdat

Measur.
 Code 44870V.WFL/p95/791
 Name MULTIDIR
 Date 29-04-1994

Lamp
 Code QR-CB 50W 60D
 Number 1
 Position

Efficiency 100.00%

Coordinate system CG

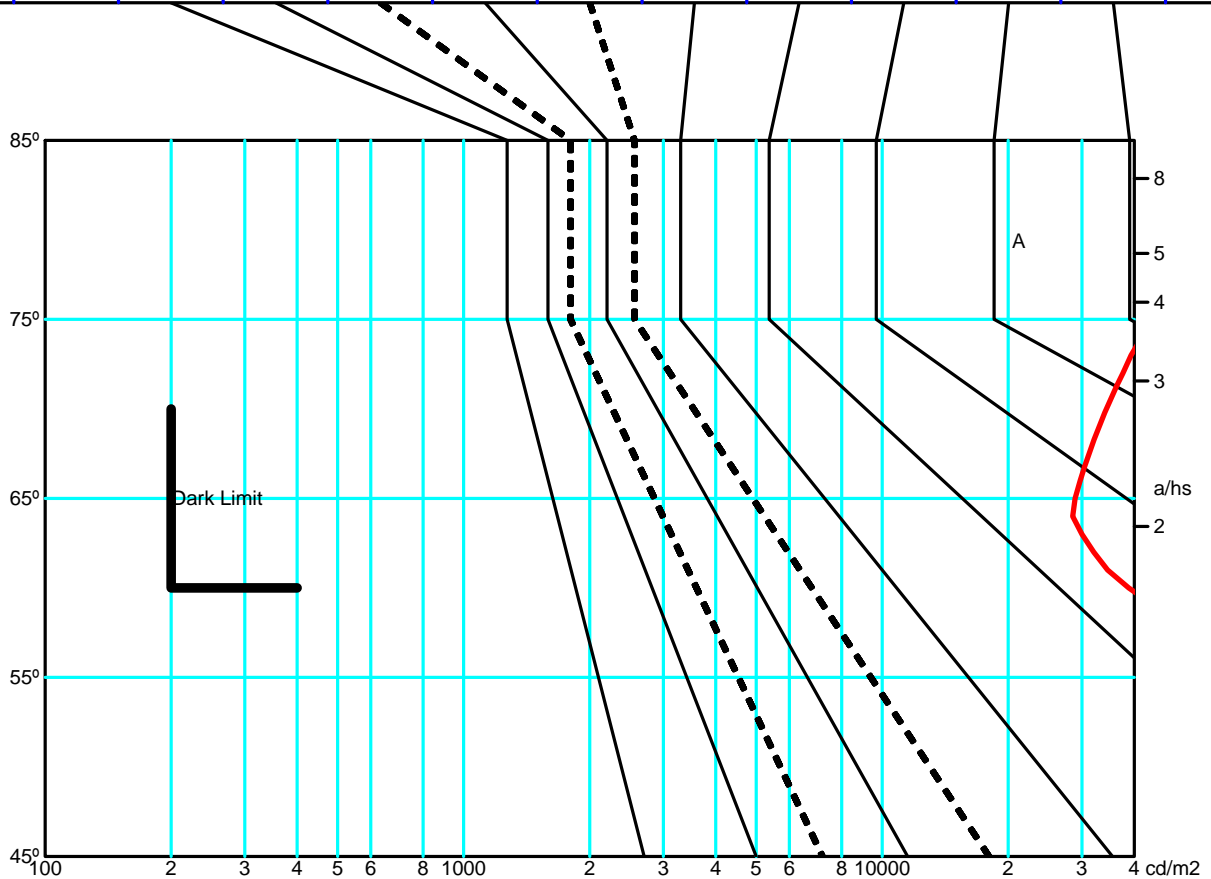
Total Flux 1474.00 lm

Average Luminance [cd/m²]

0.0°	45°	50°	55°	60°	65°	70°	75°	80°	85°	---
93657	85964	70222	38804	28885	34312	44431	65884	131266		

Flush mounted or longitudinal view

		Illumination(lx)										
A	A	2000	1000	750	500		<300					1.15
B	1		2000	1500	1000	750	500	<300				1.5
C					2000		1000	500	<300			1.85
D	2						2000	1000	500	<300		2.2
E	3							2000	1000	500	<300	2.55

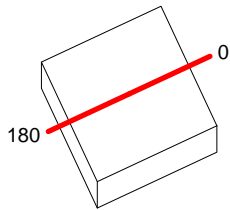


Transversal —————

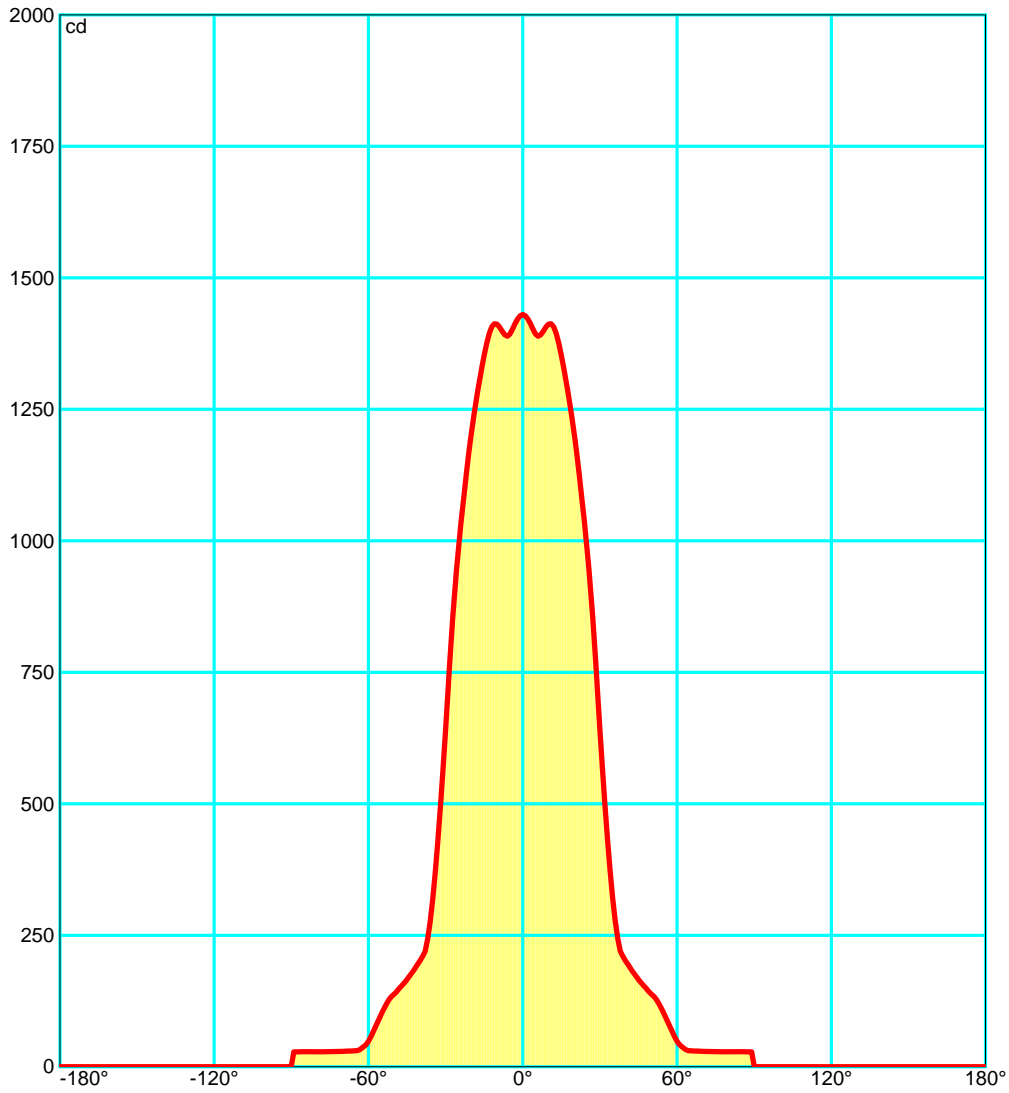
Luminaire		Measur.		Lamp	
Code	DM-0094-14-00	Code	44870V.WFL/p95/791	Code	QR-CB 50W 60D
Name	MULTIDIR	Name	MULTIDIR	Number	1
Line	Eulumdat	Date	29-04-1994	Position	
Efficiency	100.00%	Coordinate system	CG	Total Flux	1474.00 lm

50mm x 50mm

C Halfplanes



180.0 ————— 0.0



Luminaire		Measur.		Lamp	
Code	DM-0094-14-00	Code	44870V.WFL/p95/791	Code	QR-CB 50W 60D
Name	MULTIDIR	Name	MULTIDIR	Number	1
Line	Eulumdat	Date	29-04-1994	Position	
Efficiency	100.00%	Coordinate system	CG	Total Flux	1474.00 lm

UGR
S = 0.250

Reflectancies										
Ceiling/Cavity	0.7	0.7	0.5	0.5	0.3	0.7	0.7	0.5	0.5	0.3
Walls	0.5	0.3	0.5	0.3	0.3	0.5	0.3	0.5	0.3	0.3
WorkingPlane	0.2	0.2	0.2	0.2	0.2	0.2	0.2	0.2	0.2	0.2
RoomDimensions	ViewedCrosswise					ViewedEndwise				
x=2H y=2H	24.0	24.9	24.3	25.1	25.3	24.0	24.9	24.3	25.1	25.3
x=2H y=3H	24.4	25.2	24.7	25.5	25.7	24.4	25.2	24.7	25.5	25.7
x=2H y=4H	24.9	25.7	25.2	25.9	26.2	24.9	25.7	25.2	25.9	26.2
x=2H y=6H	25.8	26.5	26.1	26.8	27.0	25.8	26.5	26.1	26.8	27.0
x=2H y=8H	26.4	27.1	26.7	27.4	27.7	26.4	27.1	26.7	27.4	27.7
x=2H y=12H	27.3	27.9	27.6	28.2	28.5	27.3	27.9	27.6	28.2	28.5
x=4H y=2H	24.2	24.9	24.5	25.2	25.4	24.2	24.9	24.5	25.2	25.4
x=4H y=3H	24.8	25.5	25.2	25.8	26.1	24.8	25.5	25.2	25.8	26.1
x=4H y=4H	25.5	26.1	25.9	26.4	26.8	25.5	26.1	25.9	26.4	26.8
x=4H y=6H	26.7	27.2	27.2	27.6	28.0	26.7	27.2	27.2	27.6	28.0
x=4H y=8H	27.6	28.0	28.0	28.4	28.8	27.6	28.0	28.0	28.4	28.8
x=4H y=12H	28.7	29.1	29.1	29.5	29.9	28.7	29.1	29.1	29.5	29.9
x=8H y=4H	26.0	26.4	26.4	26.8	27.2	26.0	26.4	26.4	26.8	27.2
x=8H y=6H	27.5	27.8	27.9	28.2	28.7	27.5	27.8	27.9	28.2	28.7
x=8H y=8H	28.5	28.9	29.0	29.3	29.8	28.5	28.9	29.0	29.3	29.8
x=8H y=12H	29.9	30.2	30.4	30.6	31.1	29.9	30.2	30.4	30.6	31.1
x=12H y=4H	26.1	26.5	26.5	26.9	27.3	26.1	26.5	26.5	26.9	27.3
x=12H y=6H	27.7	28.0	28.2	28.5	29.0	27.7	28.0	28.2	28.5	29.0
x=12H y=8H	28.9	29.2	29.4	29.7	30.2	28.9	29.2	29.4	29.7	30.2

Luminaire	Measur.	Lamp
Code DM-0094-14-00	Code 44870V.WFL/p95/791	Code QR-CB 50W 60D
Name MULTIDIR	Name MULTIDIR	Number 1
Line Eulumdat	Date 29-04-1994	Position

Efficiency 100.00%	Coordinate system CG	Total Flux 1474.00 lm
--------------------	----------------------	-----------------------

Total Flux=1474.00 Luminaire Flux=1473.98

	0.60	0.80	1.00	1.25	1.50	2.00	2.50	3.00	4.00	5.00	10.00	20.00
RI	0.58	0.64	0.70	0.75	0.78	0.84	0.87	0.90	0.92	0.94	0.97	0.99
DRR	-	-	1	1	1	1	1	1	1	1	1	-
RC												

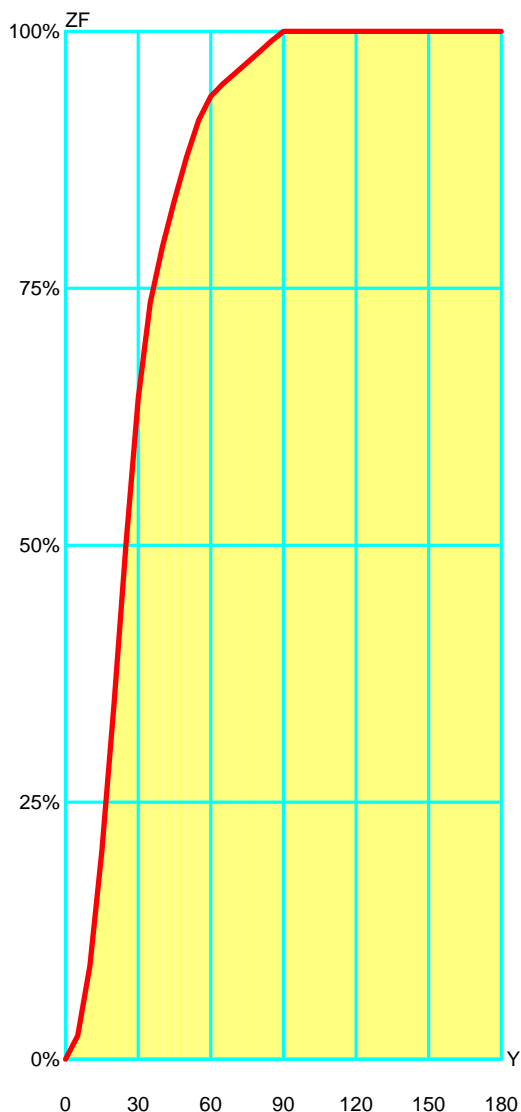
Zonal Flux per 1000 Lumen

	10	20	30	40	50	60	70	80	90	100	110	120	130	140	150	160	170	180
Y°	91	346	643	790	878	937	959	980	1000	1000	1000	1000	1000	1000	1000	1000	1000	1000
ZF(Y)																		

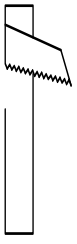
CIE Flux Codes

81 94 97 100 100

C.I.E.	-/-/1/1/1/1/1/1/1/1/-	LOR	99.99838 %
D DIN 5040	A60	ULOR	0.00384 %
F UTE	1.00 B	DLOR	99.99454 %
B NBN	BZ 1 / 4 / BZ 2	UFF	0.00384 %
RN	0.00384 %	DFF	99.99616 %
BLF	1.0	FFR	0.00384 %



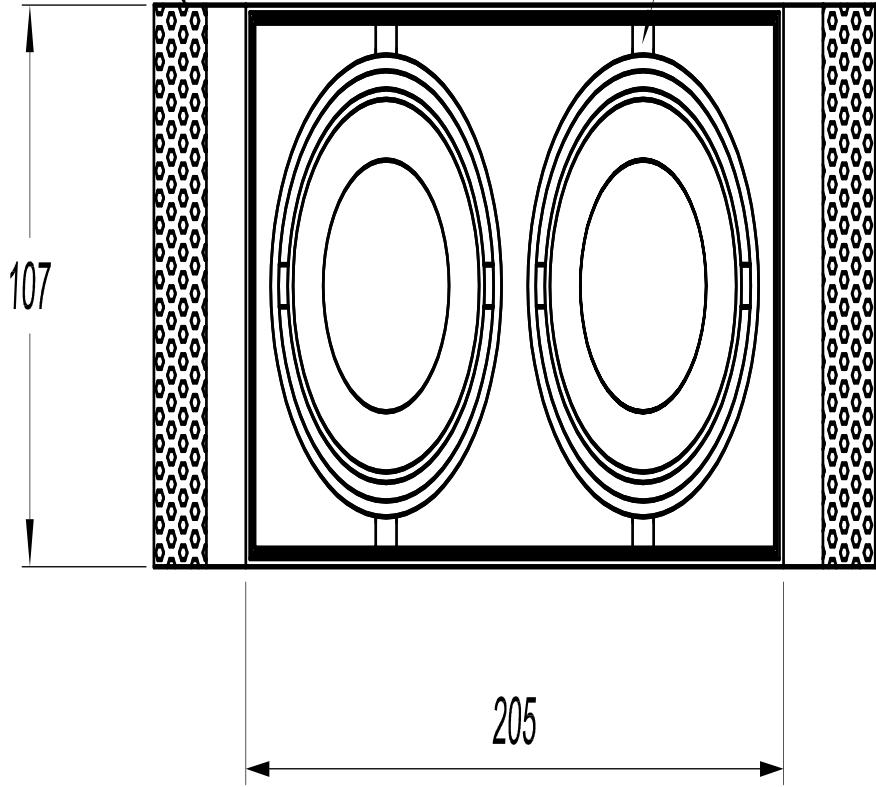
Zonal Flux				
Gamma °	Flux	Sum lm	Flux [%]	Sum [%]
0°	0.00	0.00	0.00%	0.00 %
5°	22.85	22.85	2.29 %	2.29 %
10°	67.90	90.76	6.79 %	9.08 %
15°	112.08	202.83	11.21 %	20.28 %
20°	143.09	345.93	14.31 %	34.59 %
25°	156.03	501.96	15.60 %	50.20 %
30°	140.89	642.85	14.09 %	64.29 %
35°	92.97	735.83	9.30 %	73.58 %
40°	54.47	790.29	5.45 %	79.03 %
45°	45.90	836.19	4.59 %	83.62 %
50°	41.54	877.74	4.15 %	87.77 %
55°	36.00	913.73	3.60 %	91.37 %
60°	23.05	936.78	2.30 %	93.68 %
65°	12.14	948.91	1.21 %	94.89 %
70°	10.26	959.17	1.03 %	95.92 %
75°	10.27	969.44	1.03 %	96.95 %
80°	10.39	979.83	1.04 %	97.98 %
85°	10.55	990.38	1.05 %	99.04 %
90°	9.57	999.95	0.96 %	100.00 %
95°	0.04	999.98	0.00 %	100.00 %
100°	0.00	999.98	0.00 %	100.00 %
105°	0.00	999.98	0.00 %	100.00 %
110°	0.00	999.98	0.00 %	100.00 %
115°	0.00	999.98	0.00 %	100.00 %
120°	0.00	999.98	0.00 %	100.00 %
125°	0.00	999.98	0.00 %	100.00 %
130°	0.00	999.98	0.00 %	100.00 %
135°	0.00	999.98	0.00 %	100.00 %
140°	0.00	999.98	0.00 %	100.00 %
145°	0.00	999.98	0.00 %	100.00 %
150°	0.00	999.98	0.00 %	100.00 %
155°	0.00	999.98	0.00 %	100.00 %
160°	0.00	999.98	0.00 %	100.00 %
165°	0.00	999.98	0.00 %	100.00 %
170°	0.00	999.98	0.00 %	100.00 %
175°	0.00	999.98	0.00 %	100.00 %
180°	0.00	999.98	0.00 %	100.00 %



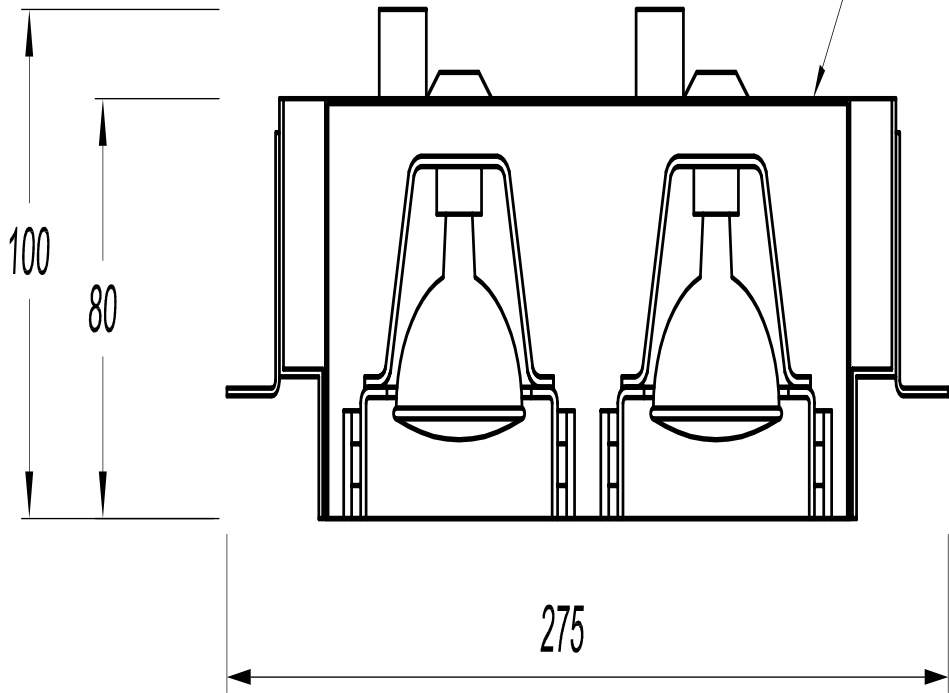
206x108

IRON / HIERRO

ALUMINIUM / ALUMINIO

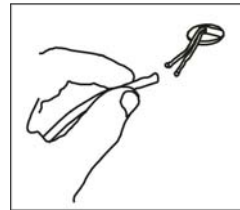
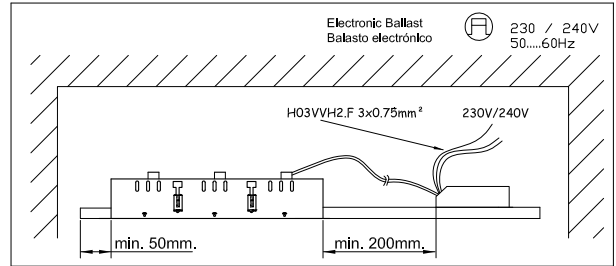
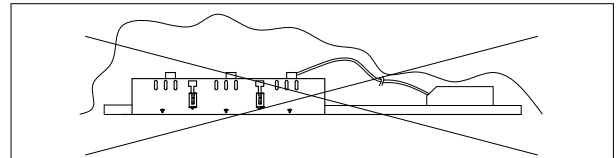


IRON / HIERRO



11-09-09

REF.	⏏	LAMP	SOCKET
DM-0081-60-00	156x156	QR-111 1x100W max.	G53
DM-0081-14-00	156x156	QR-111 1x100W max.	G53
DM-0082-60-00	300x156	QR-111 2x100W max.	G53
DM-0082-14-00	300x156	QR-111 2x100W max.	G53
DM-0083-60-00	444x156	QR-111 3x100W max.	G53
DM-0083-14-00	444x156	QR-111 3x100W max.	G53
DM-0084-60-00	311x311	QR-111 4x100W max.	G53
DM-0084-14-00	311x311	QR-111 4x100W max.	G53
DM-0093-60-00	108x108	QR-CB51 1x50W max.	GU5.3
DM-0093-14-00	108x108	QR-CB51 1x50W max.	GU5.3
DM-0094-60-00	206x108	QR-CB51 2x50W max.	GU5.3
DM-0094-14-00	206x108	QR-CB51 2x50W max.	GU5.3
DM-0095-60-00	304x108	QR-CB51 3x50W max.	GU5.3
DM-0095-14-00	304x108	QR-CB51 3x50W max.	GU5.3
DM-0096-60-00	214x214	QR-CB51 4x50W max.	GU5.3
DM-0096-14-00	214x214	QR-CB51 4x50W max.	GU5.3
DM-1159-60-00	156x156	AR-111 LED 1x15W	GU10
DM-1159-14-00	156x156	AR-111 LED 1x15W	GU10
DM-1160-60-00	300x156	AR-111 LED 2x15W	GU10
DM-1160-14-00	300x156	AR-111 LED 2x15W	GU10
DM-1161-60-00	444x156	AR-111 LED 3x15W	GU10
DM-1161-14-00	444x156	AR-111 LED 3x15W	GU10
DM-1162-60-00	311x311	AR-111 LED 4x15W	GU10
DM-1162-14-00	311x311	AR-111 LED 4x15W	GU10



(E) Cubrir toda la longitud del cable de alimentacion con los manguitos termicos.

(F) Couvrir toute la longueur du cable d'alimentation avec les manchons thermiques fournis avec l'appareil.

(GB) All the length of input wiring should be covered with the insulating sleeves provided with the light fitting.

(D) Zuleitung skabel alif sein er ganzen lange mit den warmeierbuchsenzurauslieferung gelan gen be stuck enzu sammen mit der leuchte.

* AR-111 GU10 LED  / CDM-R111 

