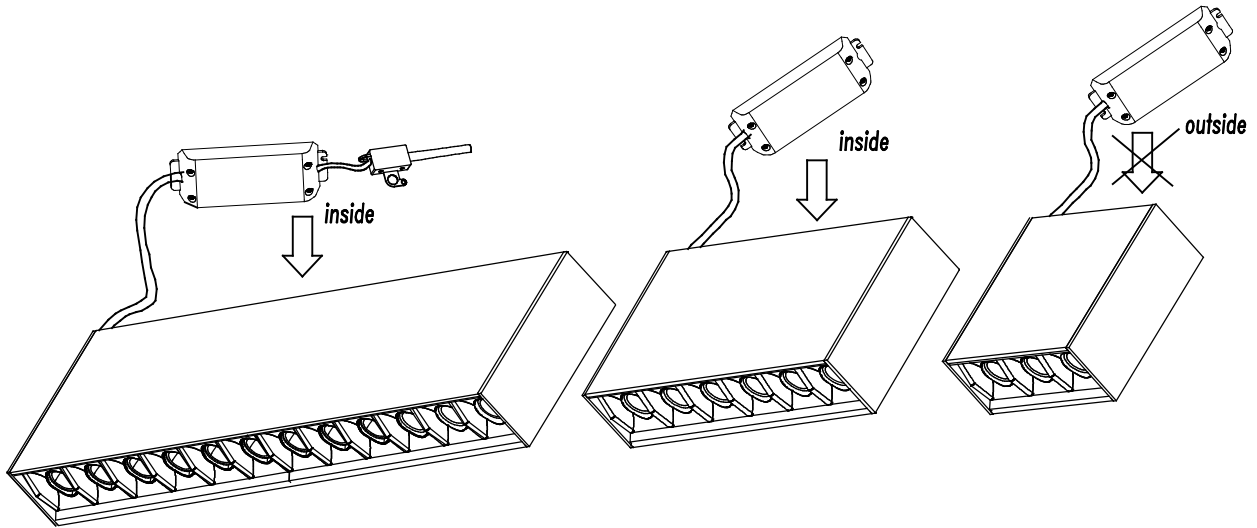
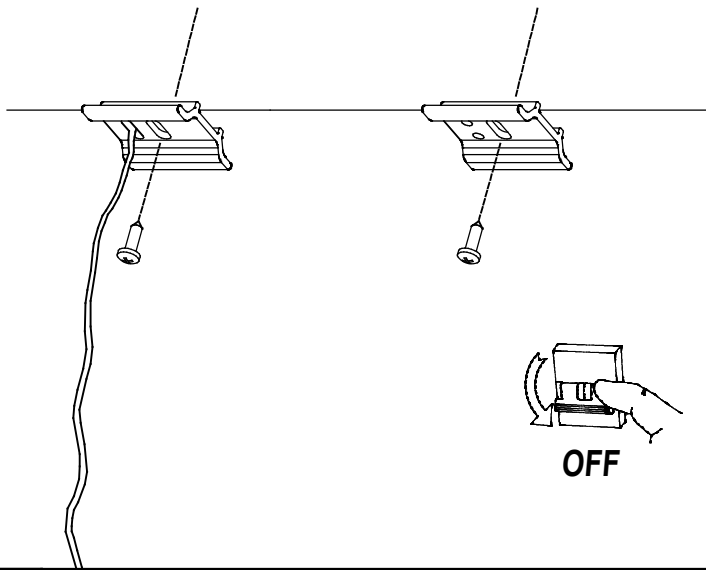


LEDS C4[®]

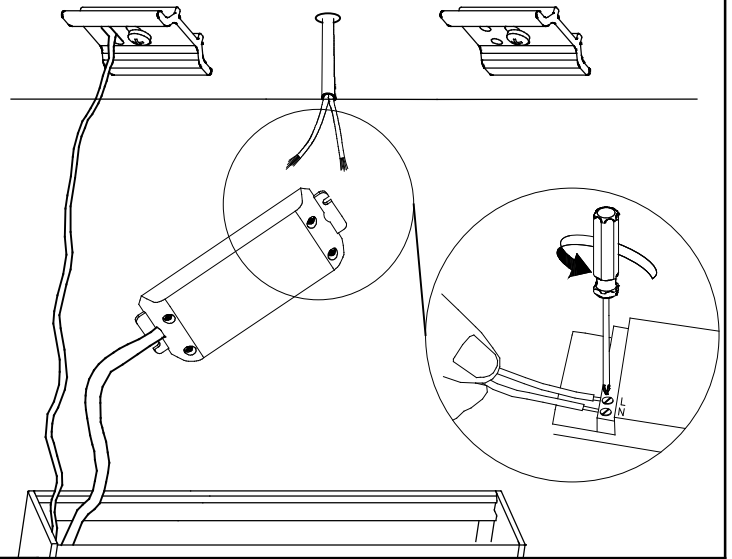
BENTO SURFACE



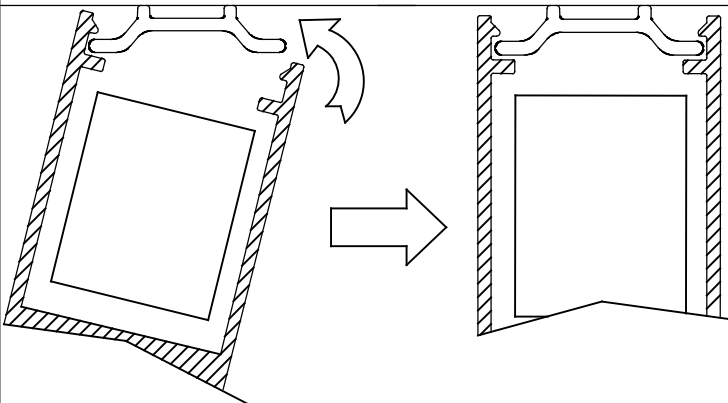
1



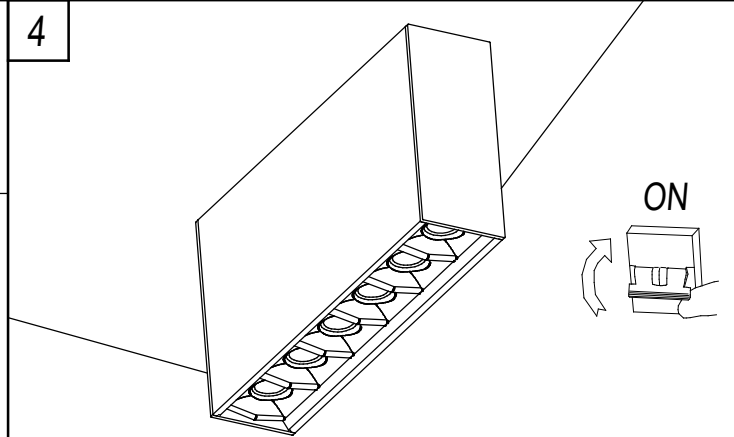
2



3



4



The light source of this luminaire is not replaceable; when the light source reaches its end of life the whole luminaire shall be replaced.