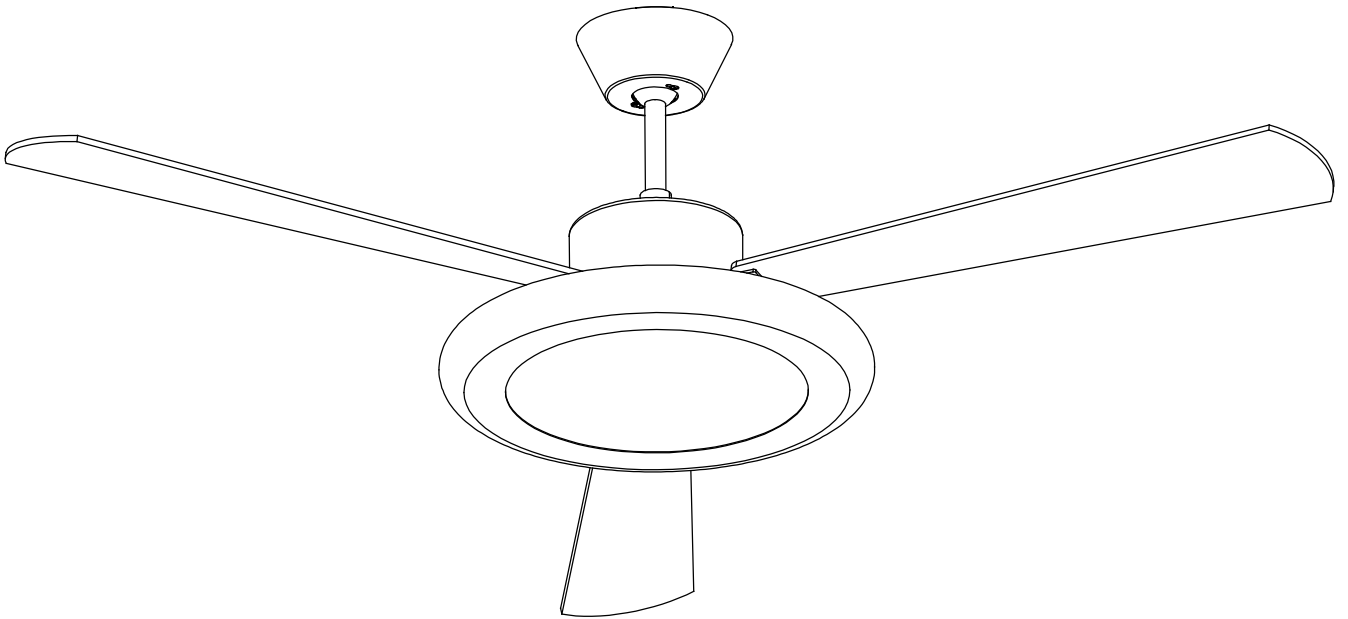
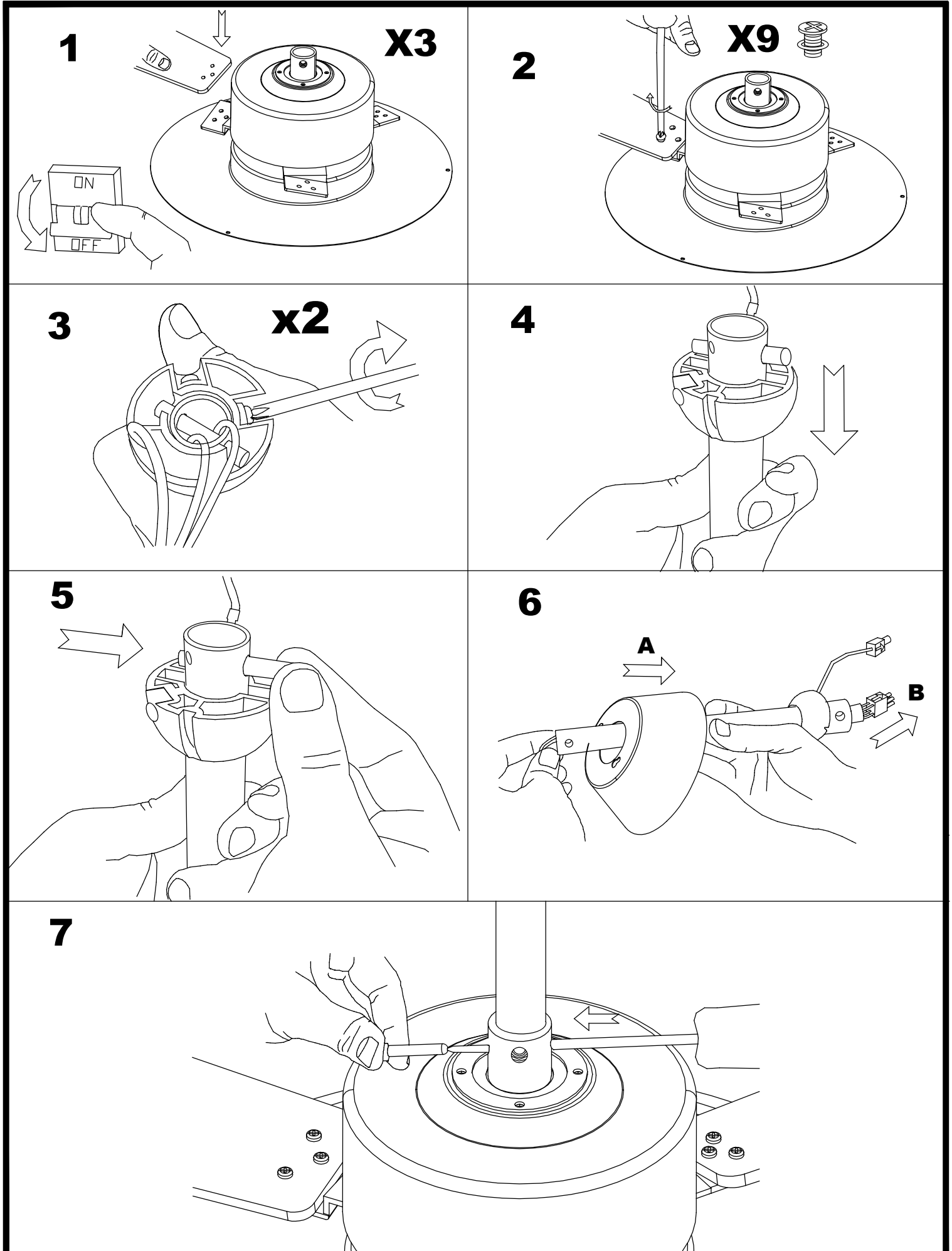


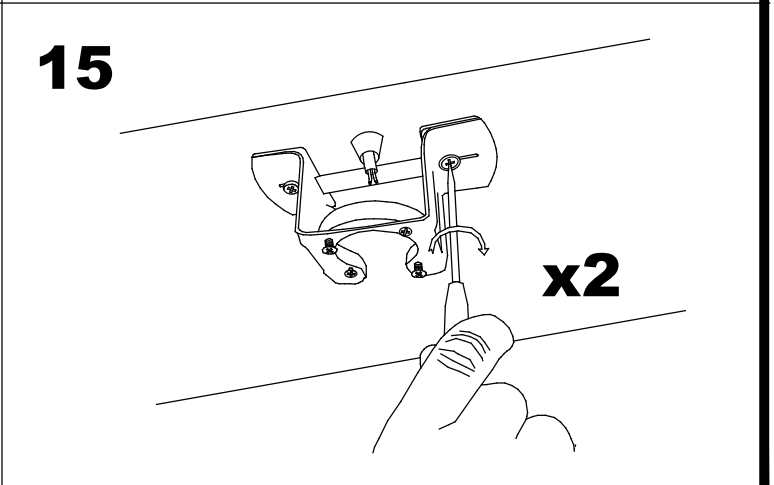
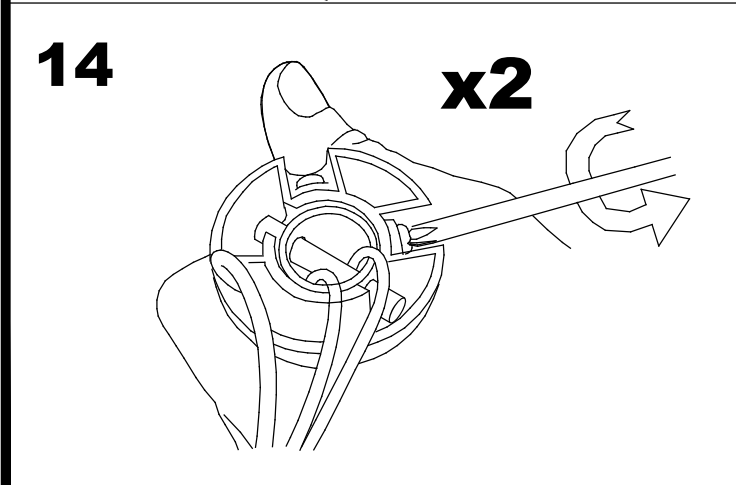
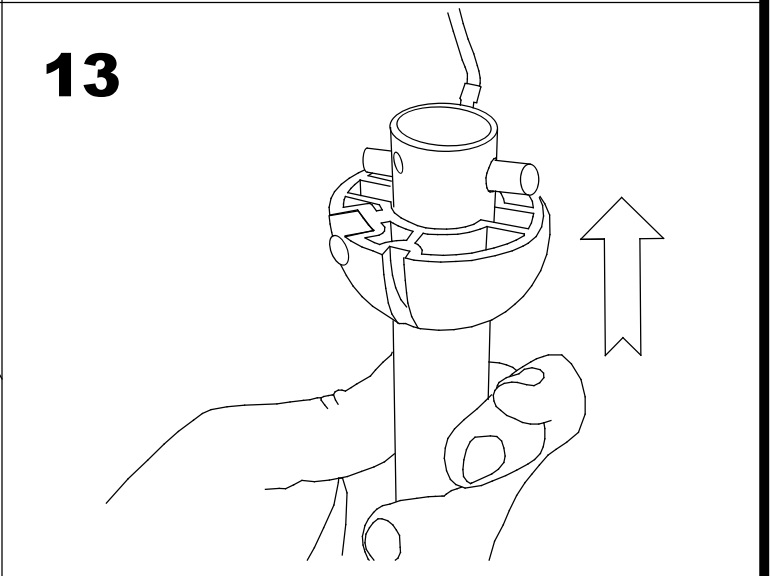
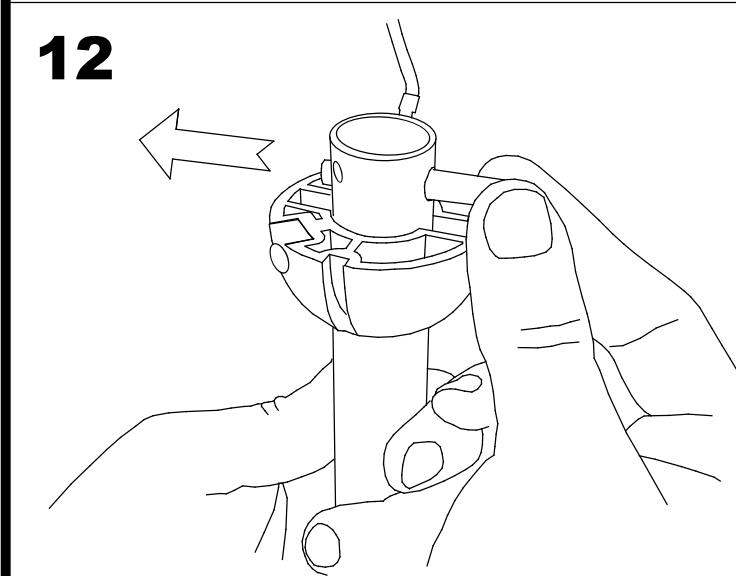
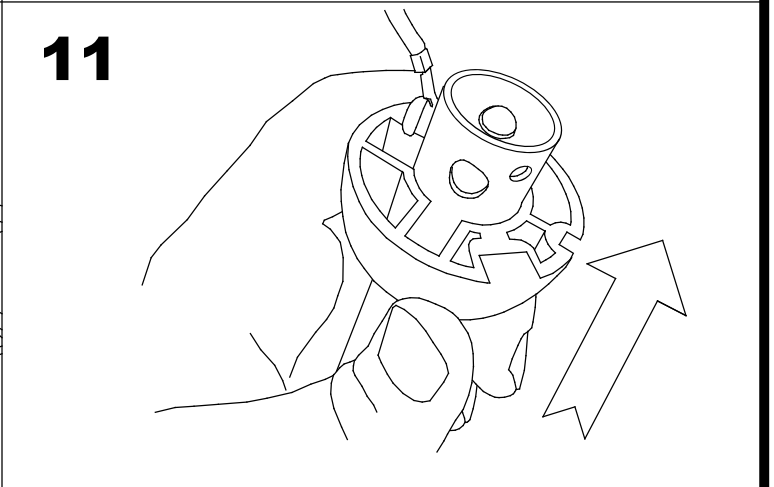
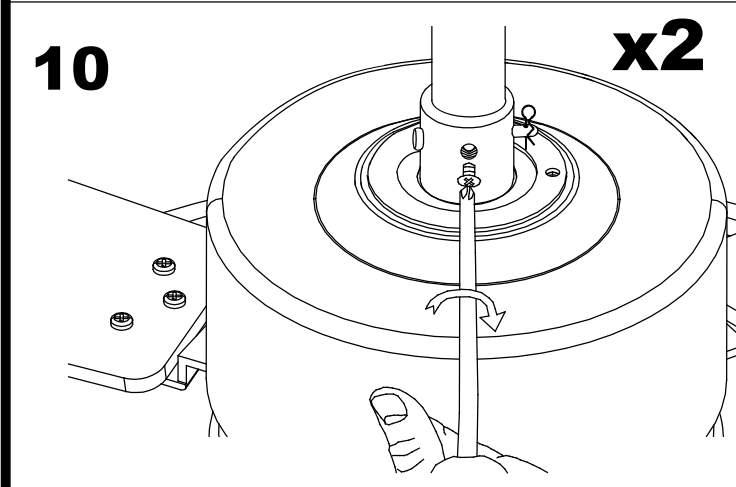
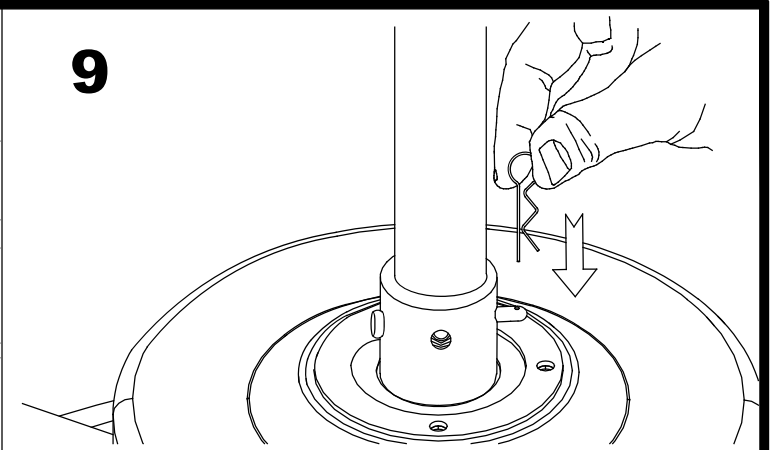
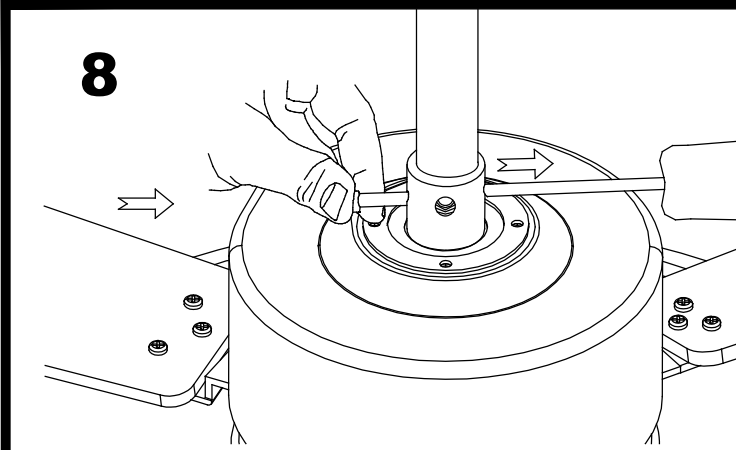


LED S-C4

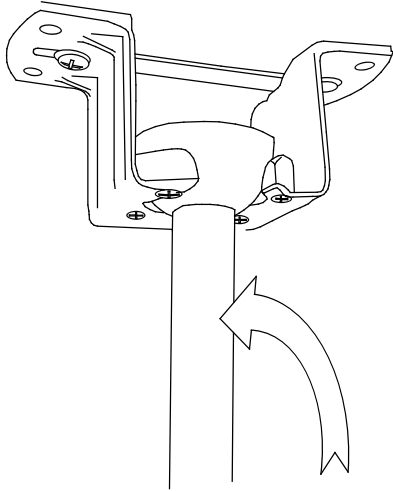
30-5676-81-M1
30-5676-CF-M1



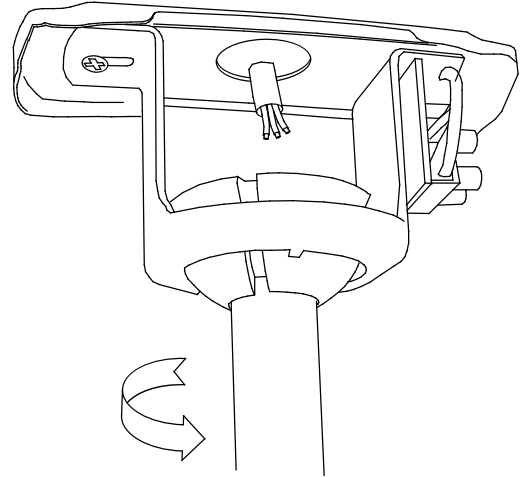




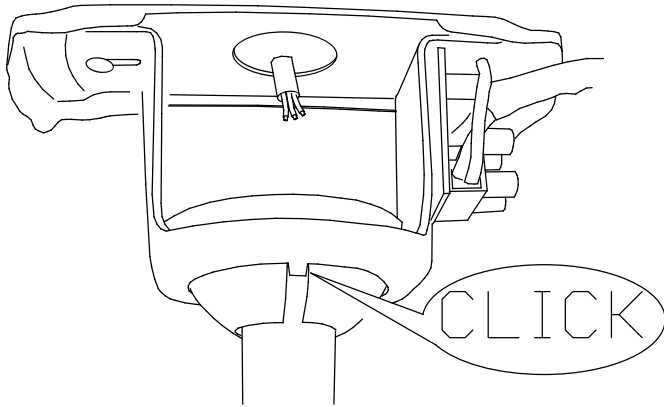
16



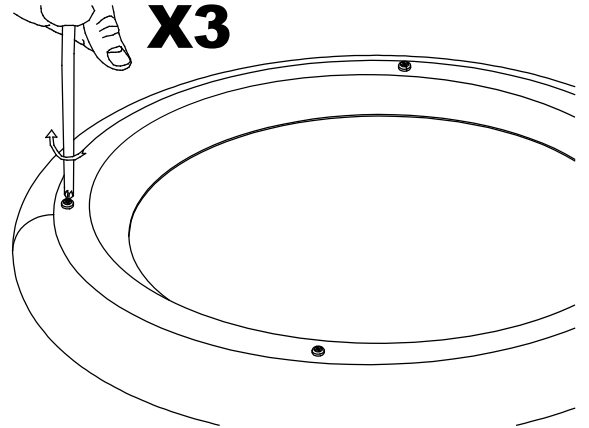
17



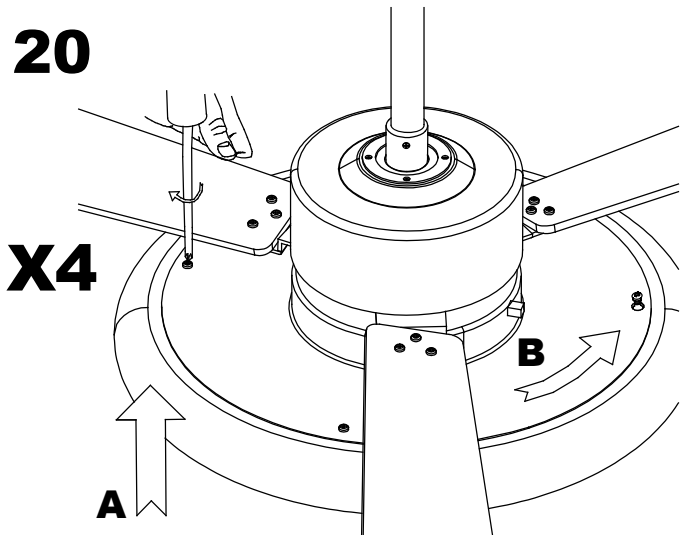
18



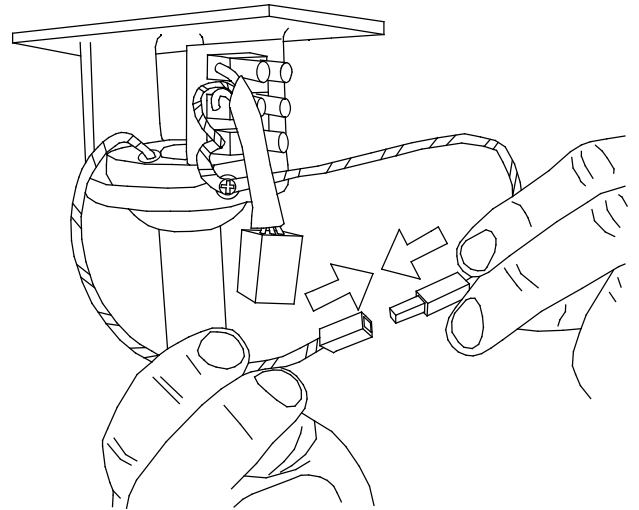
19



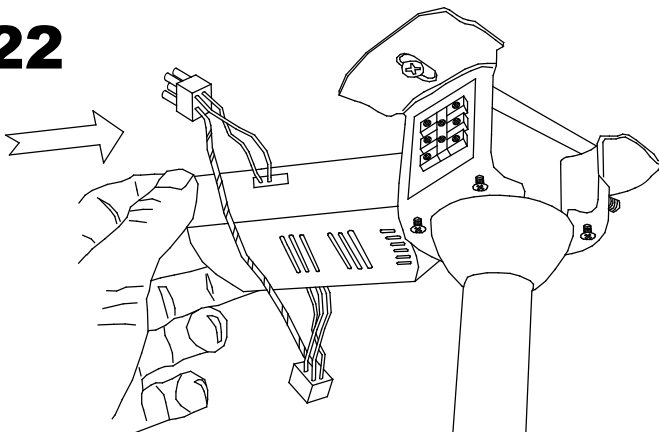
20



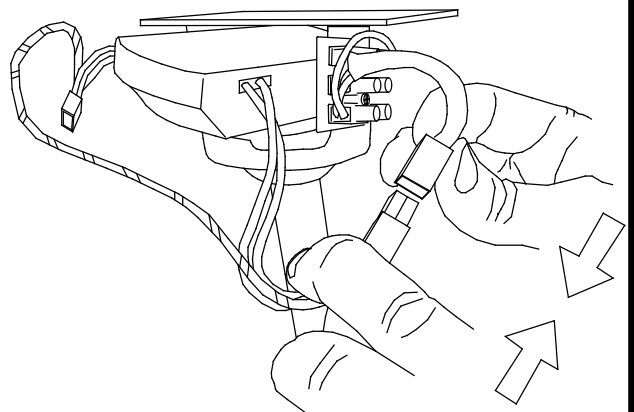
21



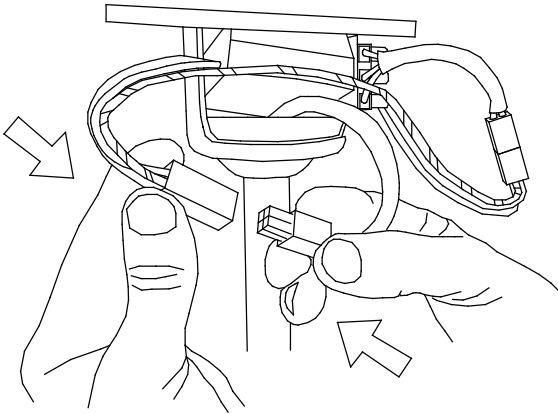
22



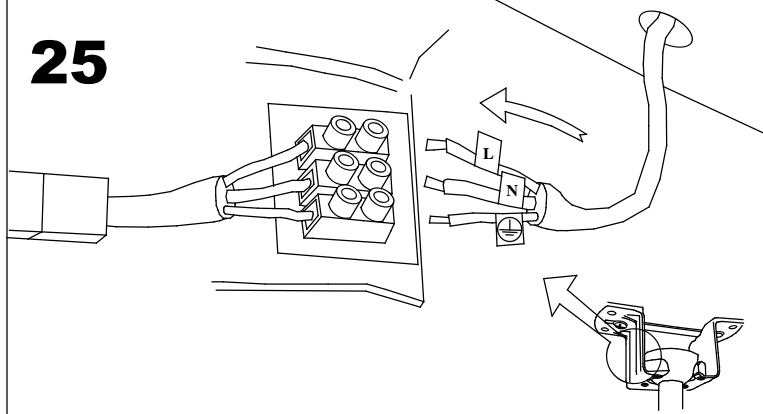
23



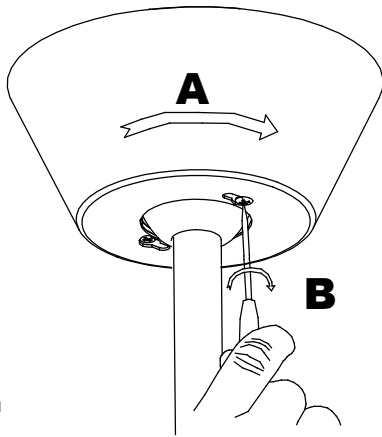
24



25

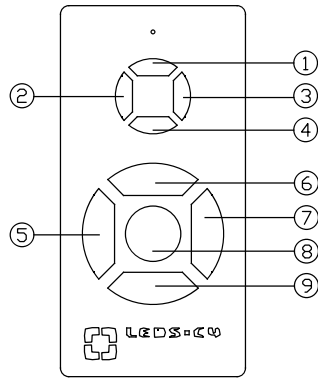


26

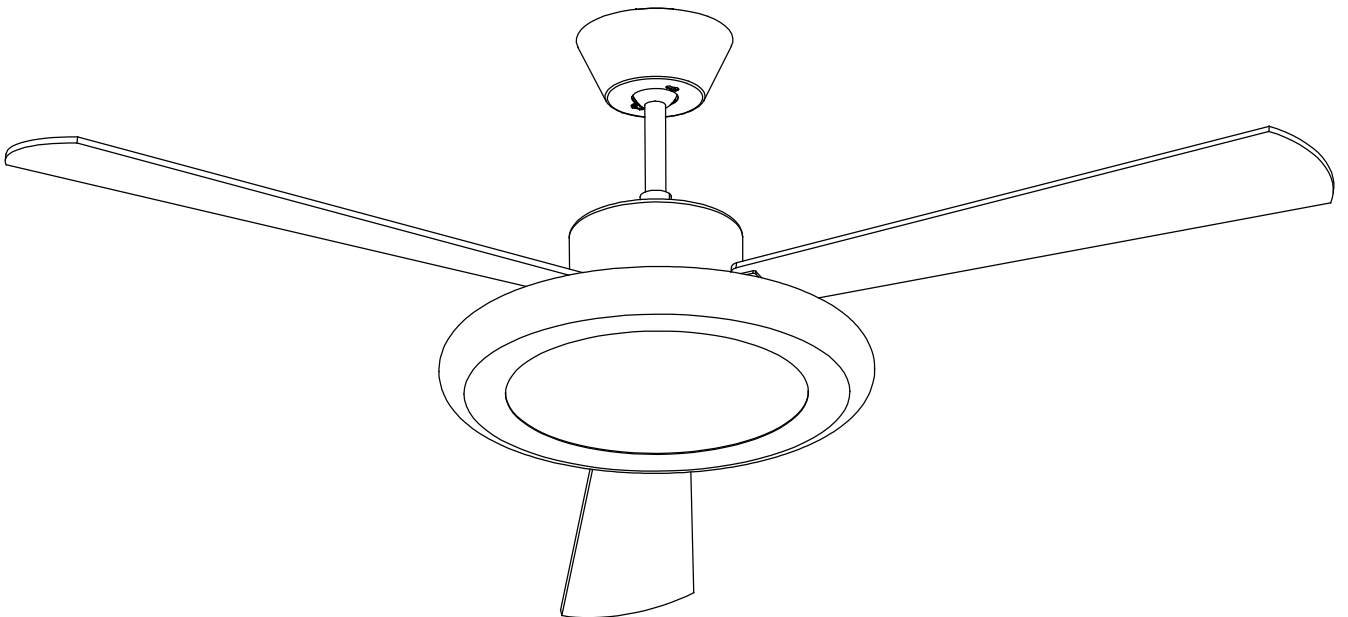


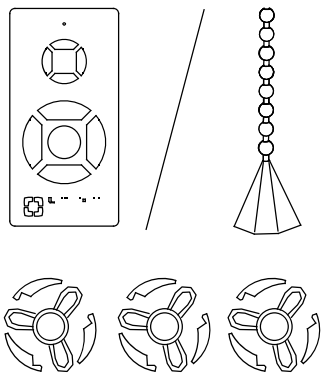
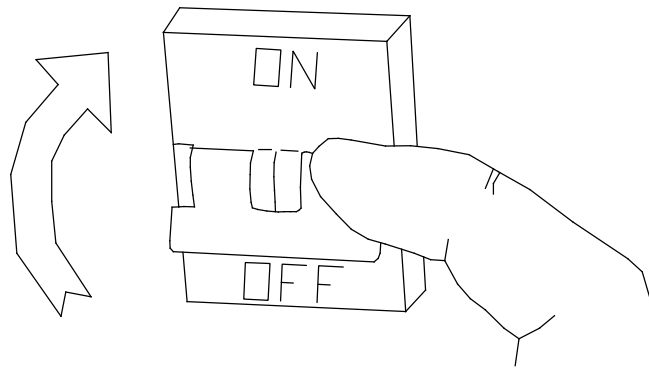
X2

27

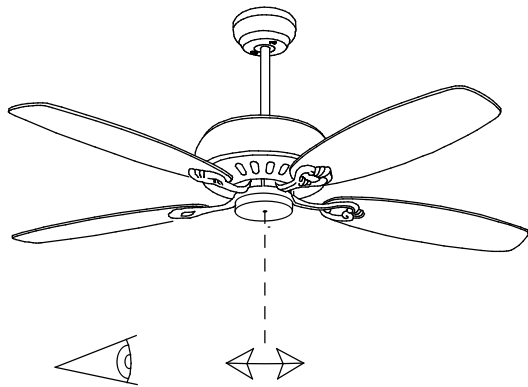


①	
②	
③	
④	
⑤	
⑥	
⑦	
⑧	STOP
⑨	

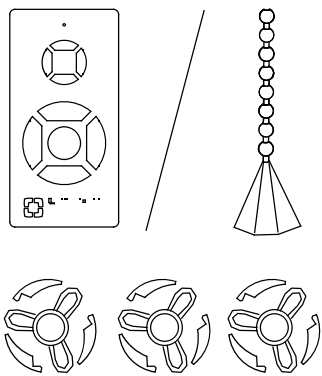




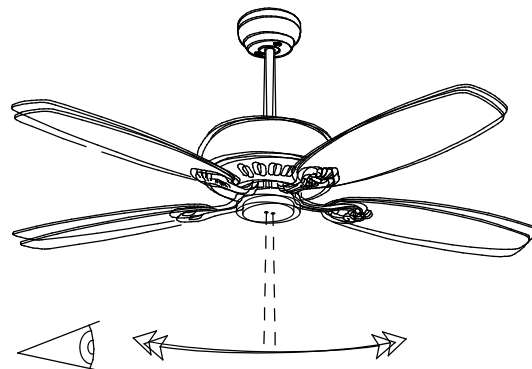
ON



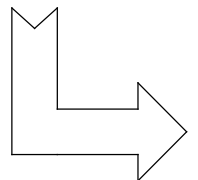
OK

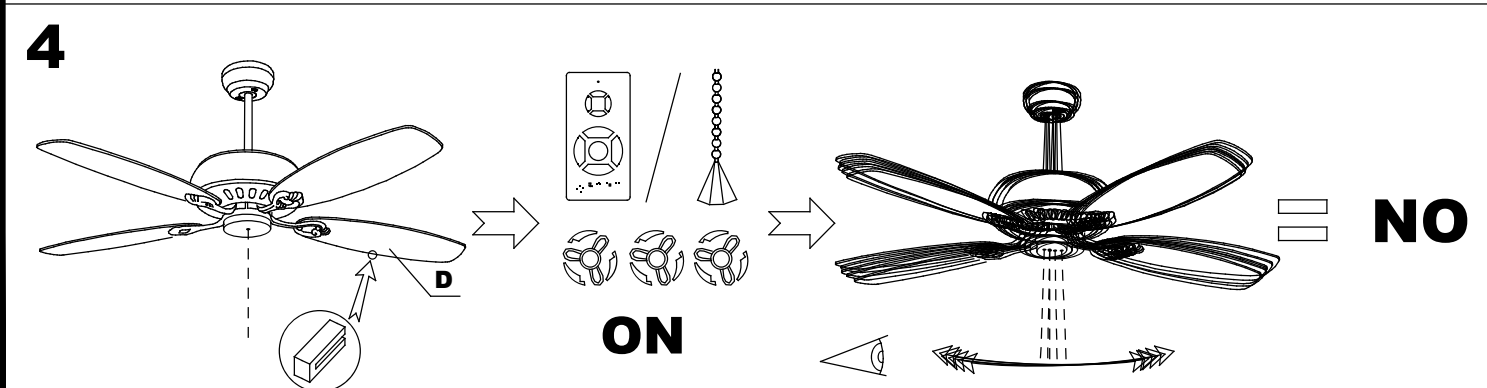
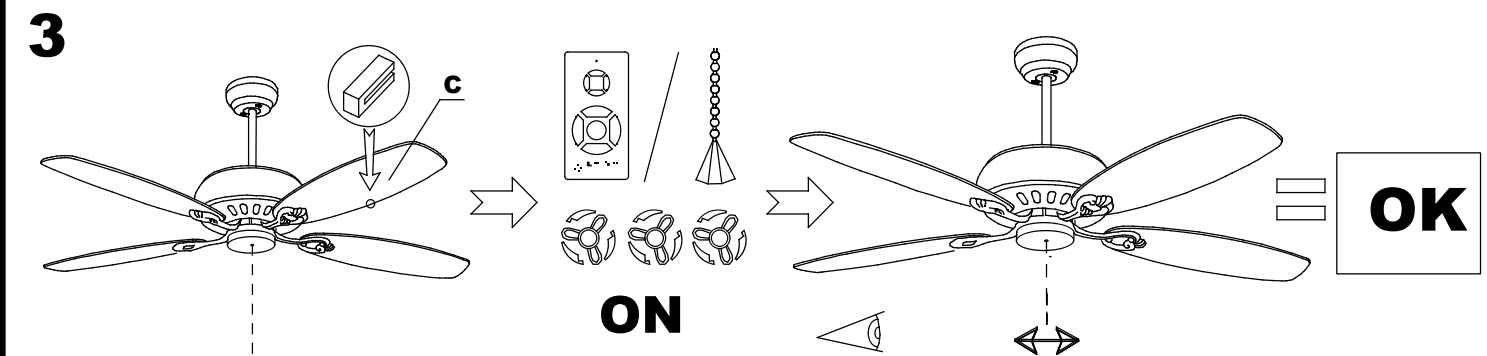
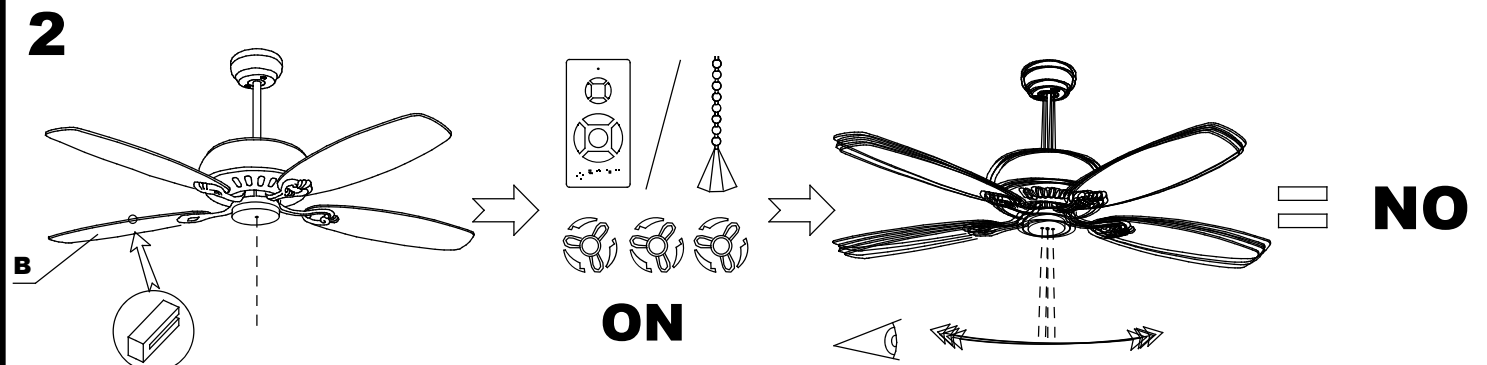
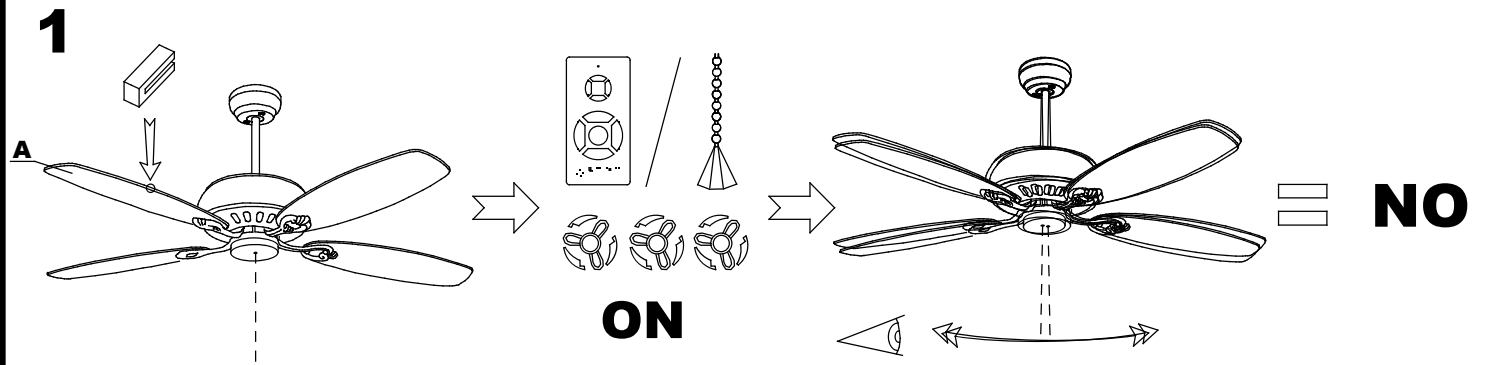
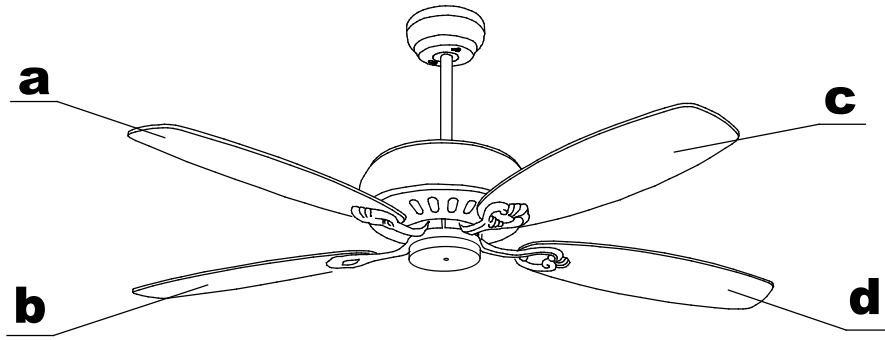


ON

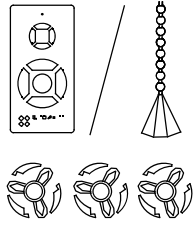
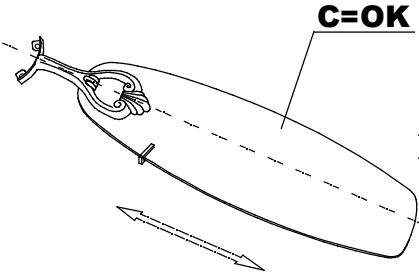


NO

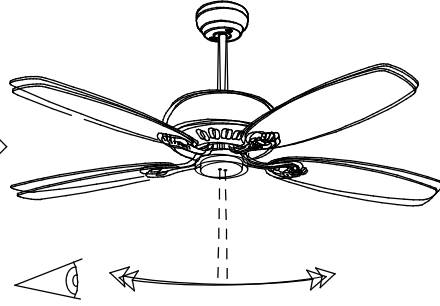




5

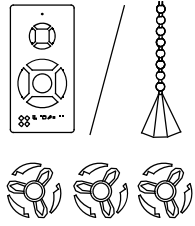
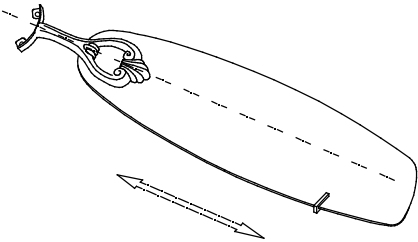


ON

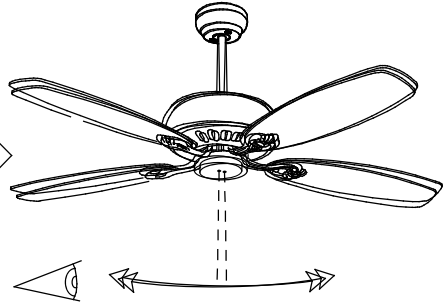


= NO

6

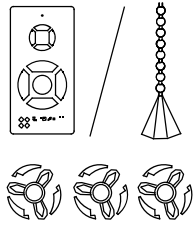
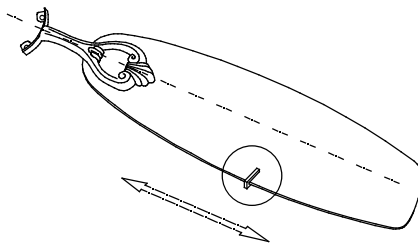


ON

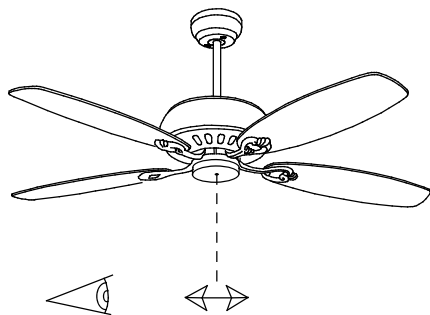


= NO

7



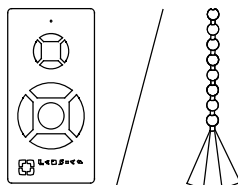
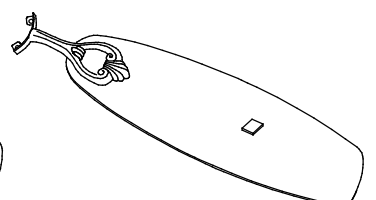
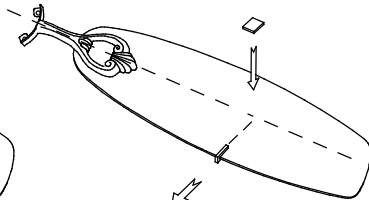
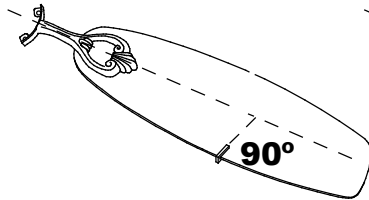
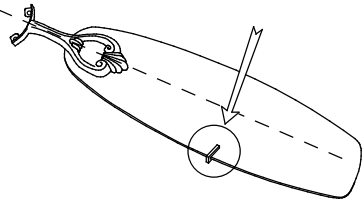
ON



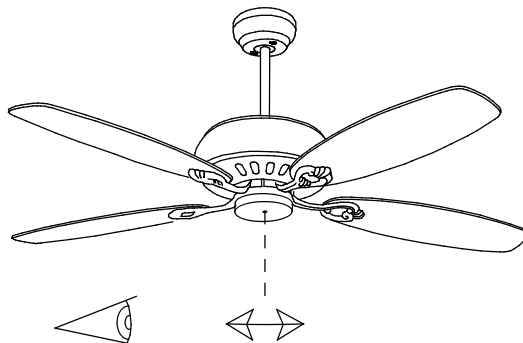
= OK

8

OK



ON



= OK